

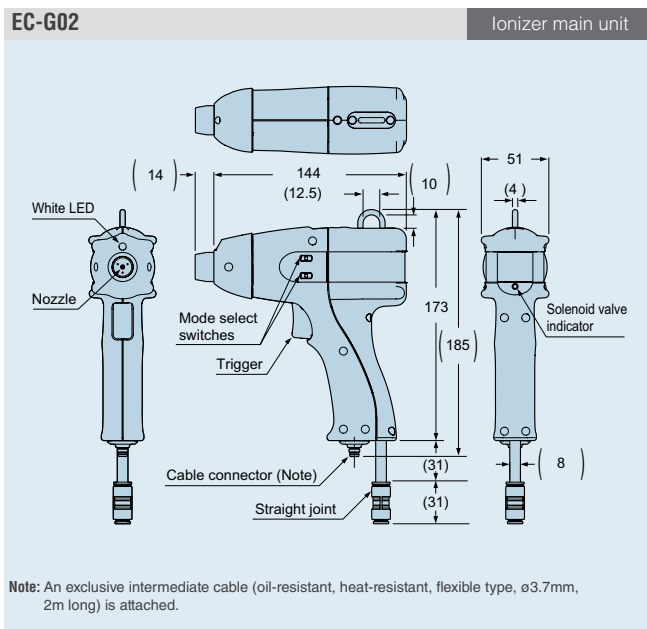
SPECIFICATIONS

The CAD data in the dimensions can be downloaded from our website: <http://www.panasonic-electric-works.com>

Type	Gun type
Model No.	EC-G02
Charge removal time (±1000 V → ±100 V)	Approx. max. 0.5s (note 1)
Applicable fluid	Air (dried clean air) (note 2)
Supplied air flow	Max. 300ℓ/min. (ANR)
Air pressure range	0.05 to 0.50MPa
Power supply voltage	Accessory AC adapter INPUT: 100 to 240VAC ±10 %, 50/60Hz (OUTPUT: 24 VDC)
Power consumption	Max. 30VA
Discharge method	High-frequency AC-method
Pulse air mode	Pulse 1 (long) / Pulse 2 (short) / CONT (continuous) selectable by switch
LED illumination mode	ON (always ON) / SYNC (synchronized with trigger) / OFF (always OFF)
Weight	Approx. 270g (main unit only)

Notes: 1) Typical value for pulse air mode: CONT at 100mm from the front of discharge nozzle at an applied air pressure of 0.50MPa.
2) The dried clean air is defined for air passing through an air dryer (dew point: equivalent of -20°C) and air filter (mesh-size: equivalent of 0.01μm).

DIMENSIONS (Unit: mm)



X-ON Electronics

Largest Supplier of Electrical and Electronic Components

Click to view similar products for [panasonic](#) manufacturer:

Other Similar products are found below :

[ECE-A1HKAR47](#) [ELC-09D151F](#) [HC2-H-DC48V-F](#) [HL2-HP-AC120V-F](#) [HL2-H-DC12V-F](#) [HL2-HP-DC12V-F](#) [HL2-HP-DC6V-F](#) [HL2-HP-DC24V-F](#) [HL2-H-DC110V-F](#) [HC4-H-DC24V](#) [HL2-HTM-DC24V-F](#) [HL2-HTM-AC24V-F](#) [HC4-H-AC24V](#) [HC4-H-AC120V](#) [HC4-H-DC12V](#) [AZH2031](#) [RP-SDMF64DA1](#) [EVM-F6SA00B55](#) [RP-SMLE08DA1](#) [ERZ-V20R391](#) [ELL-ATV681M](#) [ERZ-V05V680CB](#) [LT4H-DC24V](#) [LT4HL8-AC24V](#) [LT4HW-AC24V](#) [LT4HWT8-AC240V](#) [LT4HWT-AC240VS](#) [CY-122A-P](#) [ETQ-P5M470YFM](#) [EVAL_PAN1555](#) [EVQ-PAE04M](#) [EX-14B](#) [EX-22B-PN](#) [EX-31A-C5](#) [EXB-24N121JX](#) [MC-NA40-4](#) [EX-F72-PN](#) [EX-L211](#) [EYG-A121803V](#) [MFMCA0030AEB](#) [FCR-M50-AC208V](#) [FC-SFBH-20](#) [FC-SFBH-24](#) [FD-F8Y](#) [MHMA102A1C](#) [MHMD022S1S](#) [MHMD041S1S](#) [MHMD042G1T](#) [MHMD082G1T](#) [FD-S9](#)