

FEATURES:

- .125" (3.175mm) Contact Spacing x .250" (6.35mm) Row Spacing
- Accepts .062" (1.57mm) Nominal Thickness P.C. Board
- High Profile Insulator Body, .600" (15.24mm)
- Contact Termination Options include P.C. Tail, Wire Wrap, 90 Degree Bends and Extender Board Bends
- Single or Dual Row Configurations
- Large Variety of Mounting Options, Flush or Offset Lugs
- Accepts between Contact and In-Contact Polarizing Keys
- Pre-assembled Card Guides are available
- Automatic Wire Wrap Positioning Holes
- RoHS Compliant & UL Recognized

Specifications:

| | |
|------------------------------|--|
| Insulator Material | UL 94V-0 Thermoplastic Polyester |
| Contact Material | Copper Alloy |
| Contact Plating | Gold Plating on mating area and Tin Plating on tails with Nickel underplating all over |
| Current Rating | 3 Amperes |
| Contact Resistance | 10 milliohms maximum |
| Dielectric Withstand Voltage | 1500 VAC rms at sea level between adjacent contacts |
| Insulation Resistance | 5000 Megohms minimum |
| Operating Temperature | -40°C to +105°C |
| Insertion Force | 16oz (4.45N) maximum per contact pair when tested with .070" (1.78mm) thick gauge |
| Withdrawal Force | 1oz (0.28N) minimum per contact pair when tested with .054" (1.37mm) thick gauge |

Example Part Number: **346-056-540-802**

Series _____

Total Number of Contacts _____

Contact Code _____

Contact Rows and Insulator Style _____

Mounting Options _____

| Contact Code | Description & Tail Size | Tail Length "G" |
|--------------|---|-----------------|
| 500 | Wire Hole .050 x .025 (1.27 x 0.64) | .260 (6.60) |
| 520 | P.C. Tail .025 Square (0.64 Square) | .175 (4.45) |
| 521 | P.C. Tail .025 Square (0.64 Square) | .150 (3.81) |
| 522 | P.C. Tail .025 Square (0.64 Square) | .440 (11.18) |
| 526 | P.C. Tail .025 Square (0.64 Square) | .350 (8.89) |
| 540 | Wire Wrap .025 Square (0.64 Square) | .560 (14.22) |
| 541 | Wire Wrap .025 Square (0.64 Square) | .750 (19.05) |
| 555 | EXTENDER BOARD BEND (Code 500 Contacts) | |
| 556 | EXTENDER BOARD BEND (Code 520 Contacts) | |
| 558 | 90 DEGREE BEND (Code 541 Contacts) | |
| 559 | 90 DEGREE BEND (Code 541 Contacts) | |
| 560 | EXTENDER BOARD BEND (Code 526 Contacts) | |

| Series: | Insulator Color |
|---------|--------------------------------|
| 346 | Thermoplastic Polyester, Green |
| 396 | Thermoplastic Polyester, Black |

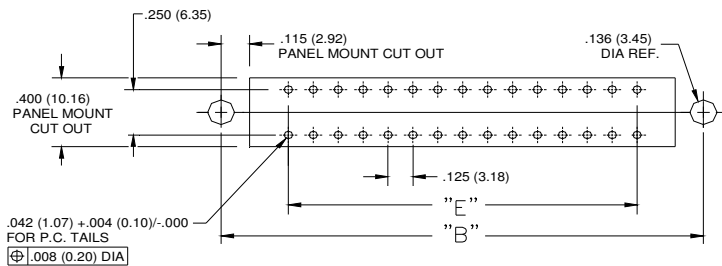
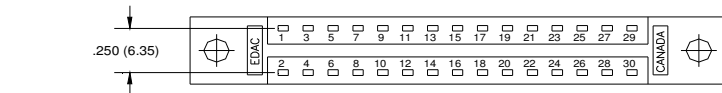
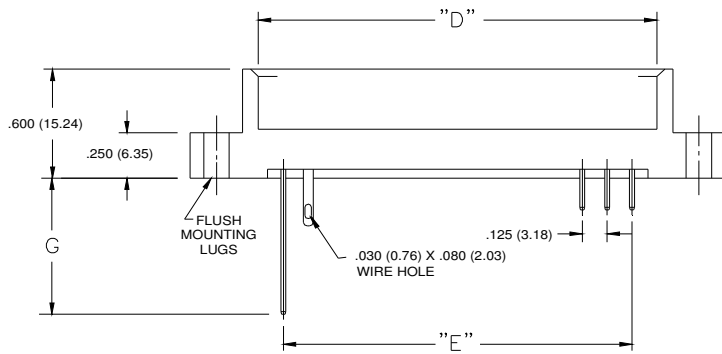
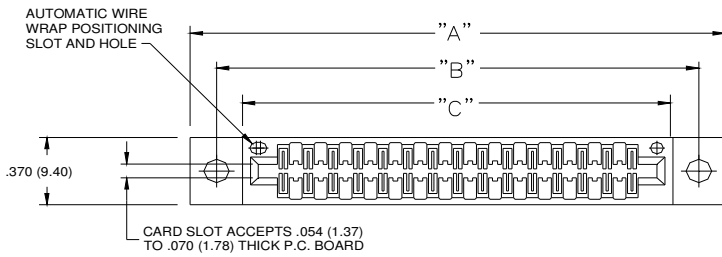
| Total Number of Contacts: | Contact Rows |
|---------------------------|--------------|
| 005, 006, 050 | Single Row |
| 010, 012, 100 | Dual Row |

| Contact Rows and Insulator Style | Description |
|----------------------------------|-------------------------------------|
| 1 | Single Row, Flush Mounting Lugs |
| 2 | Dual Row, Flush Mounting Lugs |
| 6 | Single Row, .170 (4.32) Offset Lugs |
| 8 | Dual Row, .170 (4.32) Offset Lugs |

| Mounting Options: | Description |
|-------------------|---|
| 01 | No Mounting Lug |
| 02 | Ø.128" (Ø3.25mm) Mounting Holes |
| 03 | Ø.116" (Ø2.95mm) I.D. Floating Eyelets |
| 04 | Ø.156" (Ø3.96mm) Mounting Holes |
| 07 | M3-0.5 Metric Threaded Inserts |
| 08 | #4-40 Unified Threaded Inserts |
| 12 | Ø.128" (Ø3.25mm) Side Mounting Holes |
| 58 | .468" (11.89mm) Offset Card Guides |
| 78 | In-Line Card Guides 2.750" (69.85mm) Long |
| 88 | In-Line Card Guides 1.250" (31.75mm) Long |

Ordering Code Notes:

- 1) All connector sizes up to 50 contacts single row / 100 contacts dual row are available upon request.
- 2) The 500 contact code is only available in the 346 series. Green polyphenylene sulphide insulator material will be supplied.
- 3) For details of the extender board and 90 degree bends refer to next pages.
- 4) Consult with EDAC Inc. regarding connectors with a .420" (10.67mm) card slot depth.
- 5) For lug-less connectors, code 01 mounting, specify contact row code 1 or 2.
- 6) In-line card guides are only with offset mounting lugs.
- 7) For details of the mounting options refer to next pages.



CONNECTOR MOUNTING PATTERN

IN-CONTACT POLARIZING KEY

P/N 345-240-328

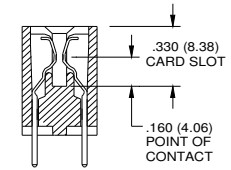
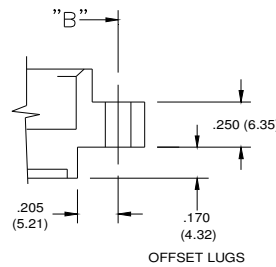


BETWEEN CONTACT POLARIZING KEY

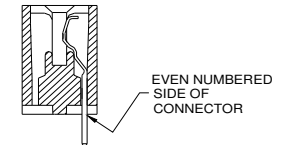
P/N 306-240-318



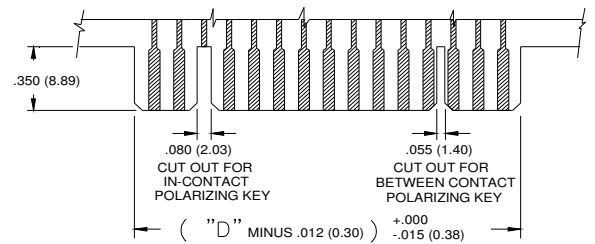
SECTIONS THROUGH CONTACT POSITION



DUAL ROW

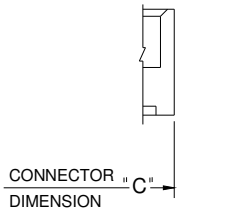


SINGLE ROW

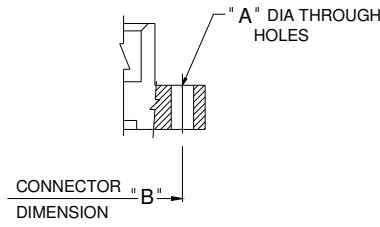


RECOMMENDED DAUGHTER BOARD

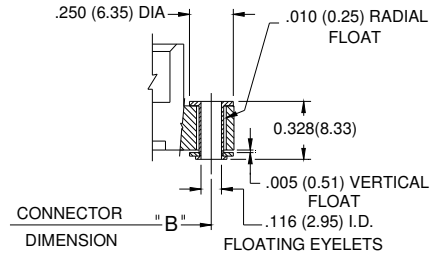
| NUMBER OF CONTACTS | | "A" | | "B" | | "C" | | "D" | | "E" | |
|--------------------|--------|-------|--------|-------|--------|-------|--------|-------|--------|-------|--------|
| Single | Double | Inch | mm | Inch | mm | Inch | mm | Inch | mm | Inch | mm |
| 5 | 10 | 1.435 | 36.45 | 1.170 | 29.72 | 0.910 | 23.11 | 0.750 | 19.05 | 0.500 | 12.70 |
| 6 | 12 | 1.560 | 39.62 | 1.295 | 32.89 | 1.035 | 26.29 | 0.875 | 22.23 | 0.625 | 15.88 |
| 10 | 20 | 2.060 | 52.32 | 1.795 | 45.59 | 1.535 | 38.99 | 1.375 | 34.93 | 1.125 | 28.58 |
| 15 | 30 | 2.685 | 68.20 | 2.420 | 61.47 | 2.160 | 54.86 | 2.000 | 50.80 | 1.750 | 44.45 |
| 18 | 36 | 3.060 | 77.72 | 2.795 | 70.99 | 2.535 | 64.39 | 2.375 | 60.33 | 2.125 | 53.98 |
| 22 | 44 | 3.560 | 90.42 | 3.295 | 83.69 | 3.035 | 77.09 | 2.875 | 73.03 | 2.625 | 66.68 |
| 25 | 50 | 3.935 | 99.95 | 3.670 | 93.22 | 3.410 | 86.61 | 3.250 | 82.55 | 3.000 | 76.20 |
| 30 | 60 | 4.560 | 115.82 | 4.295 | 109.09 | 4.035 | 102.49 | 3.875 | 98.43 | 3.625 | 92.08 |
| 31 | 62 | 4.685 | 119.00 | 4.420 | 112.27 | 4.160 | 105.66 | 4.000 | 101.60 | 3.750 | 95.25 |
| 35 | 70 | 5.185 | 131.70 | 4.920 | 124.97 | 4.660 | 118.36 | 4.500 | 114.30 | 4.250 | 107.95 |
| 36 | 72 | 5.310 | 134.87 | 5.045 | 128.14 | 4.785 | 121.54 | 4.625 | 117.48 | 4.375 | 111.13 |
| 40 | 80 | 5.810 | 147.57 | 5.545 | 140.84 | 5.285 | 134.24 | 5.125 | 130.18 | 4.875 | 123.83 |
| 43 | 86 | 6.185 | 157.10 | 5.920 | 150.37 | 5.660 | 143.76 | 5.500 | 139.70 | 5.250 | 133.35 |
| 50 | 100 | 7.060 | 179.32 | 6.795 | 172.59 | 6.535 | 165.99 | 6.375 | 161.93 | 6.125 | 155.58 |



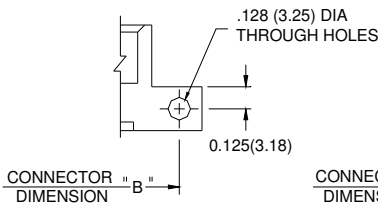
MOUNTING OPTION
CODE x01
(NO MOUNTING LUGS)



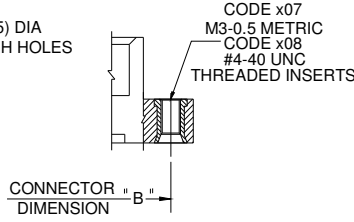
MOUNTING OPTION
CODES x02 AND x04
(THROUGH MOUNTING HOLES)



MOUNTING OPTION
CODE x03
(FLOATING EYELETS)

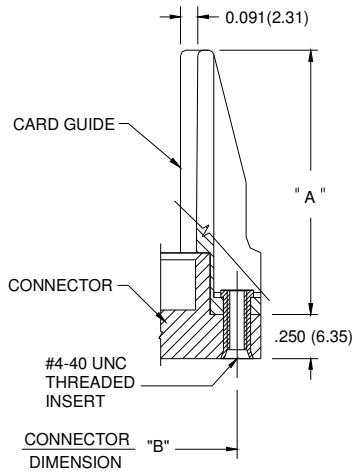


MOUNTING OPTION
CODE x12
(SIDE MOUNTING HOLES)
WITH INSERTS: CODES X17 & X18,
SEE TABLE

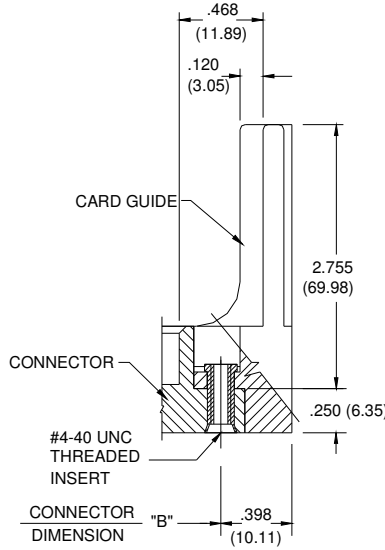


MOUNTING OPTION
CODES x07 & x08
(THREADED INSERTS)

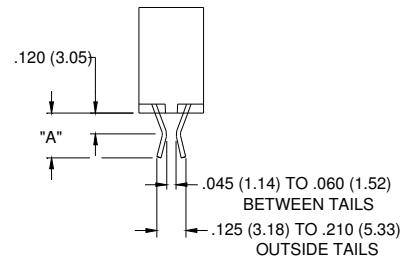
| CODE X02 AND X04- THROUGH MTG. HOLES | | |
|--------------------------------------|----------------|-------------|
| | CODE X02 | CODE X04 |
| "A" DIA. | 0.128(3.25) | 0.156(3.96) |
| CODE X07 AND X08- THREADED INSERTS | | |
| | CODE X07 | CODE X08 |
| INSERT | M3-0.5(METRIC) | #4-40 UNC |
| SIDE MOUNTING HOLES WITH INSERTS | | |
| | CODE X17 | CODE X18 |
| INSERT | M3-0.5(METRIC) | #4-40 UNC |
| CODE X78 - IN-LINE CARD GUIDES | | |
| | CODE X78 | |
| "A" | 2.750(69.85) | |



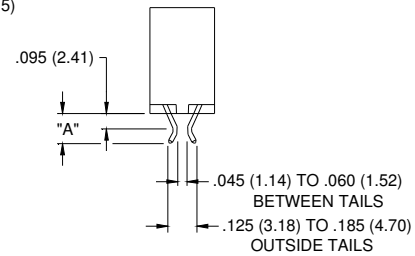
MOUNTING OPTION
CODE x78
(IN-LINE CARD GUIDE)



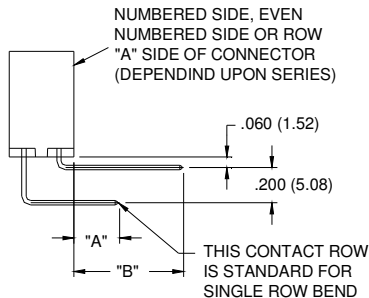
MOUNTING OPTION
CODES x58
(OFFSET CARD GUIDES)



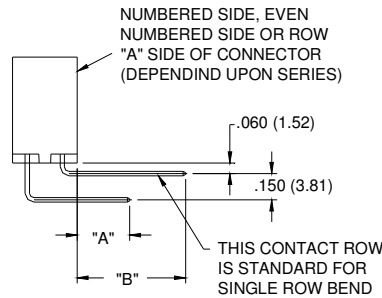
CONTACT CODE 555 BEND USES WIRE HOLE CONTACTS



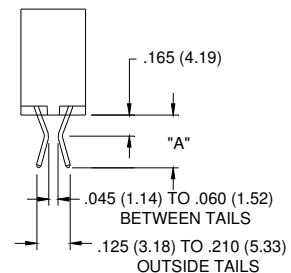
CONTACT CODE 556



CONTACT CODE 558



CONTACT CODE 559



CONTACT CODE 560

X-ON Electronics

Largest Supplier of Electrical and Electronic Components

Click to view similar products for [Standard Card Edge Connectors](#) category:

Click to view products by [EDAC](#) manufacturer:

Other Similar products are found below :

[6565204-6](#) [PKC-156](#) [1437274-4](#) [147889-1](#) [1489165-4](#) [EBT156-12B1X](#) [EBT15622B2X](#) [EBT156-22R2W](#) [1-582587-1](#) [1-582589-1](#) [2-6437275-9](#) [284-0102-12100](#) [306022901000000](#) [307-012-502-202](#) [307-024-526-201](#) [307-056-520-300](#) [307-080-526-208](#) [245-062-520-350](#) [287-0032-12101](#) [306-010-500-112](#) [306-028-525-102](#) [306-240-318](#) [307-036-502-202](#) [307-036-521-301](#) [307-072-526-202](#) [345-060-559-303](#) [368-004-520-201](#) [392-008-559-201](#) [534671-1](#) [5-530501-5](#) [341-240-317](#) [345-029-520-300](#) [345-030-500-301](#) [345-044-500-300](#) [345-220-058](#) [346-240-318](#) [357-030-526-201](#) [387-012-523-300](#) [395-044-520-300](#) [395-100-524-300](#) [50-12B-10](#) [50-6SN-5](#) [09-07-2032](#) [10035388-106LF](#) [10035388-802LF](#) [10122859-009LF](#) [10127905-B04B24BLF](#) [530555-1](#) [EBT156-15A2X](#) [2007209-1](#)