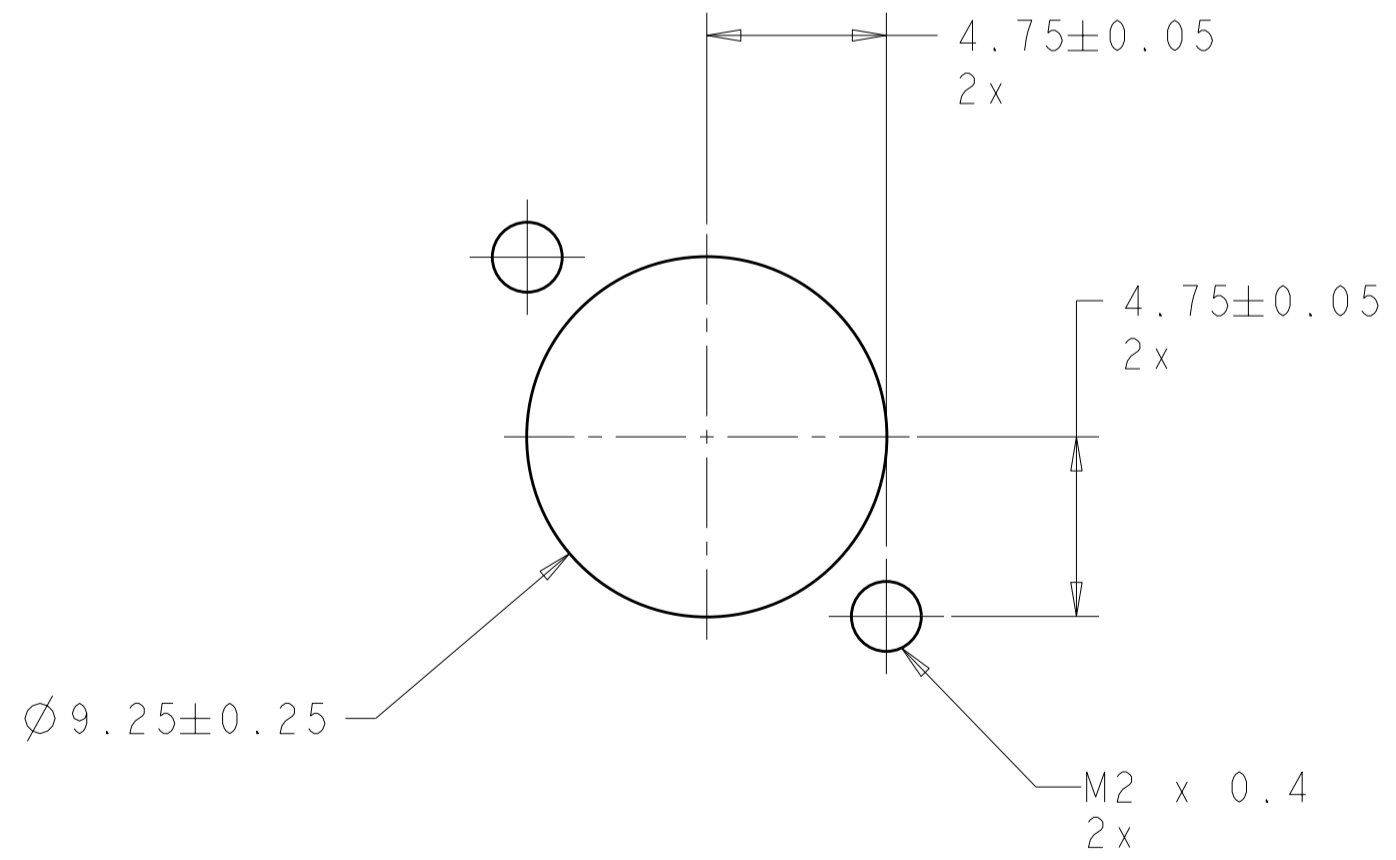
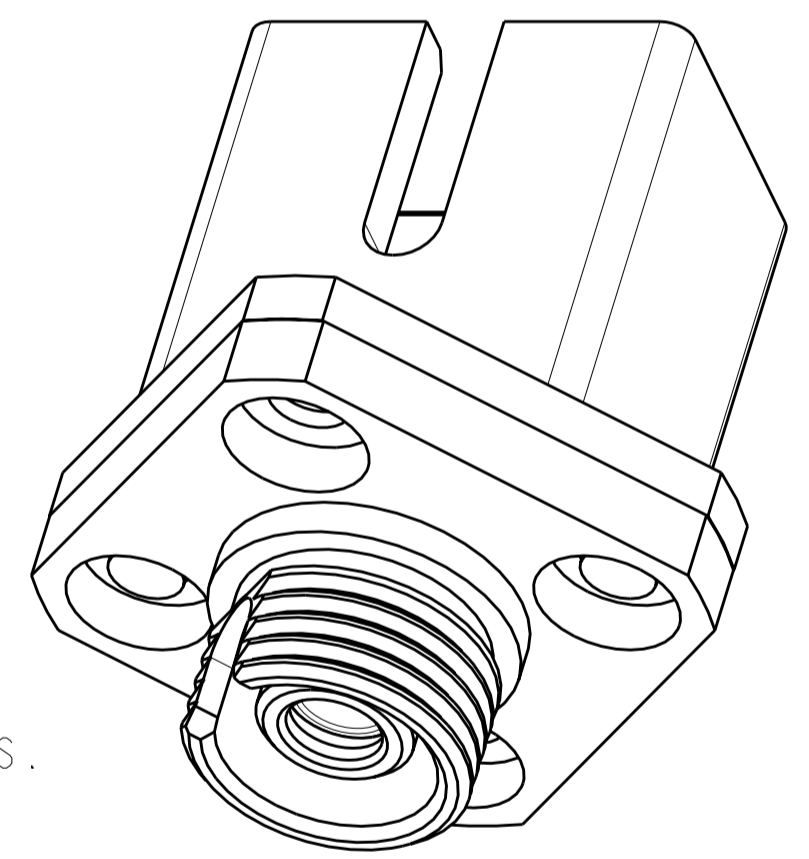
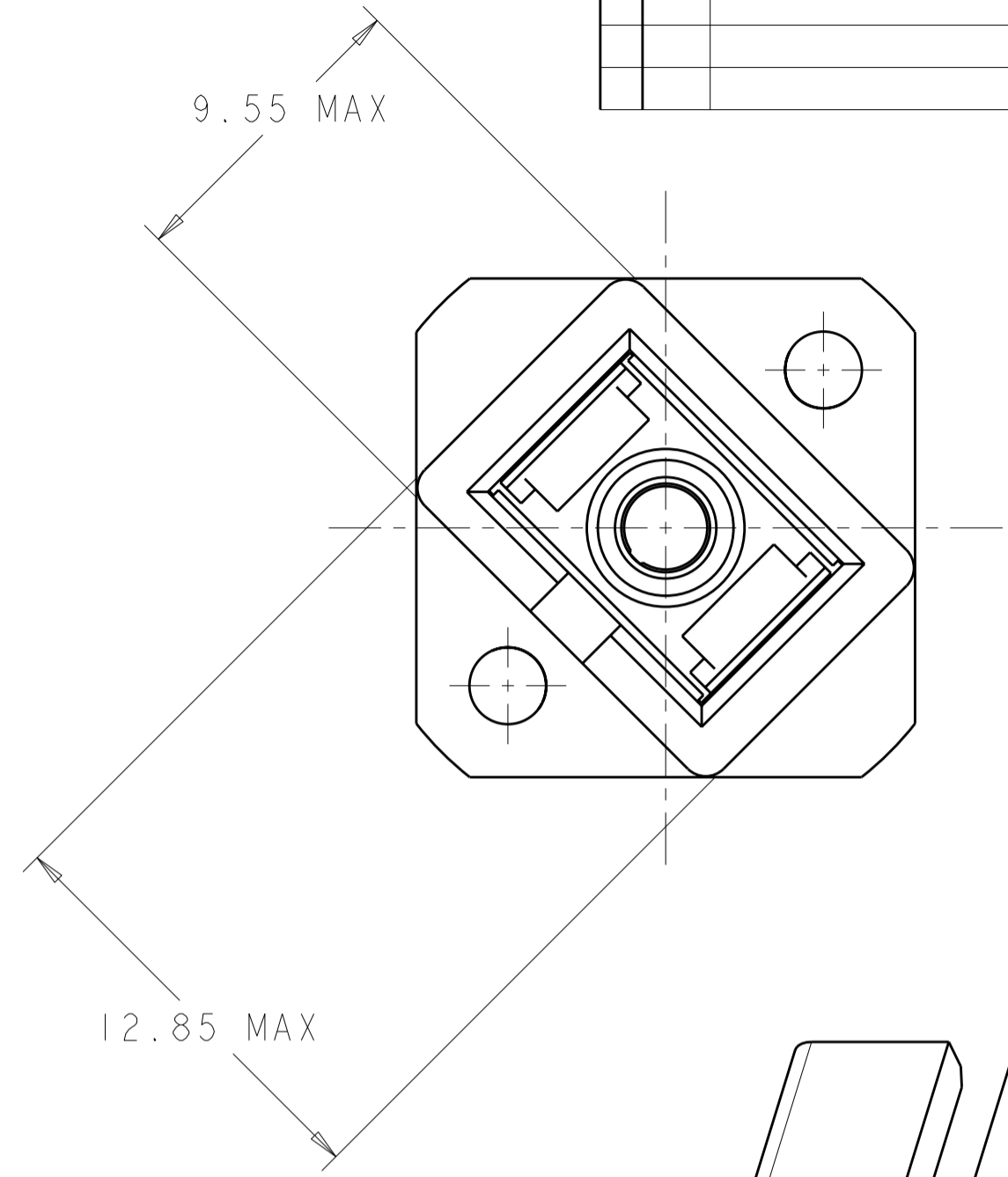
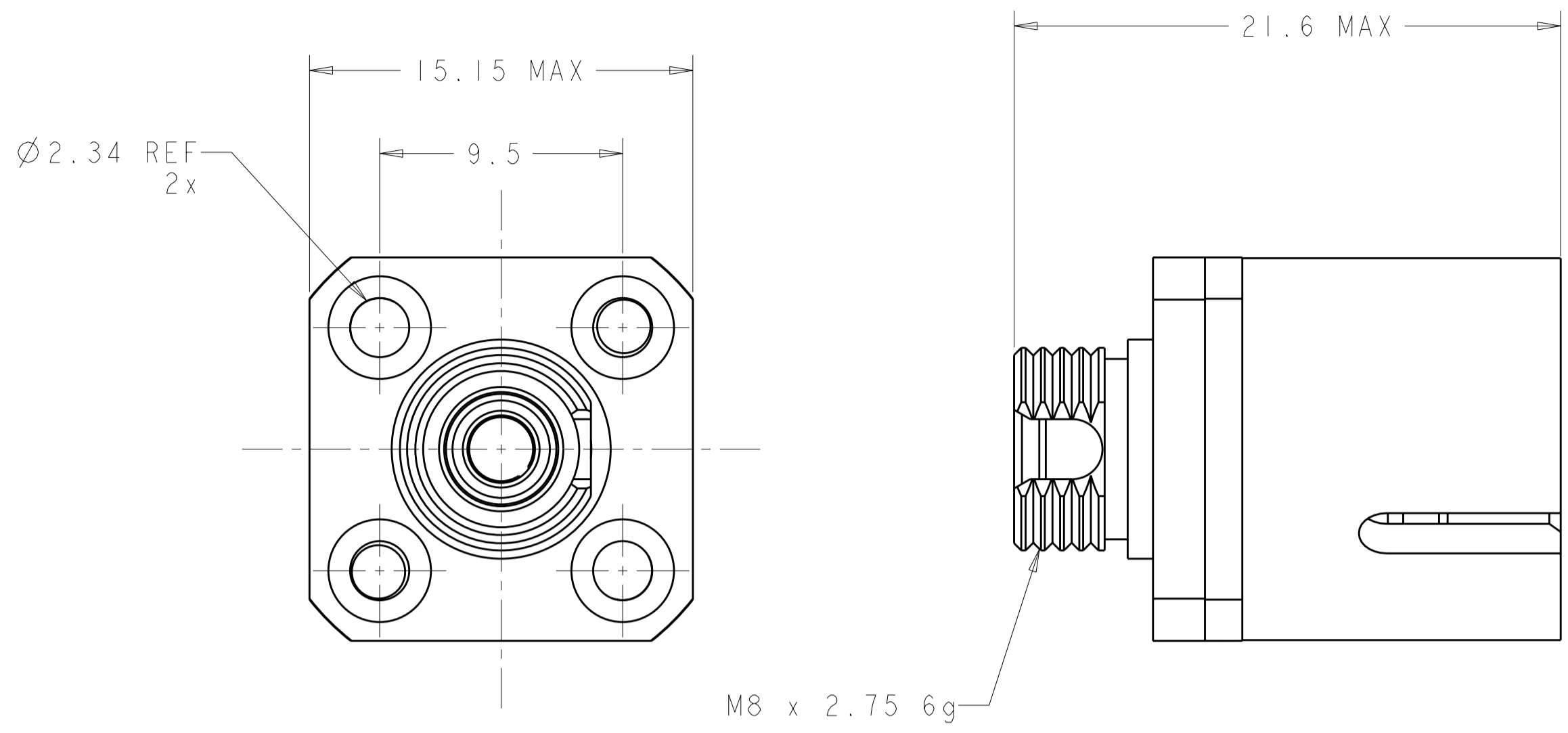


THIS DRAWING IS UNPUBLISHED. RELEASED FOR PUBLICATION 20
 © COPYRIGHT 20 BY TYCO ELECTRONICS CORPORATION. ALL RIGHTS RESERVED.

| LOC | DIST | REVISIONS | | | | | |
|-----|------|-----------|-----|-------------------|-----------|-----|------|
| CE | 00 | P | LTR | DESCRIPTION | DATE | DWN | APVD |
| | | A | | RELEASE TO ACTIVE | 07JUN2006 | BB | SM |



1. PROTECTIVE COVERS NOT SHOWN.

2 MATERIAL:
 HOUSING: NICKEL PLATED ZINC/BRASS
 SLEEVE: PHOSPHOR BRONZE
 SLEEVE: ZIRCONIA
 PROTECTIVE COVER: VINYL
 PROTECTIVE COVER: TPE, COLOR: BLACK, UL94 V-0
 RATED AT QUALIFYING THICKNESS.

SUGGESTED PANEL CUTOUT
 MAXIMUM PANEL THICKNESS 1.7

| | |
|------------------|-------------|
| CERAMIC | 5503480-2 |
| METAL | 5503480-1 |
| ALIGNMENT SLEEVE | PART NUMBER |

| | | | | |
|---|--|---------------------------------|---|-----------|
| THIS DRAWING IS A CONTROLLED DOCUMENT FOR TYCO ELECTRONICS CORPORATION. IT IS SUBJECT TO CHANGE AND THE CONTROLLING ENGINEERING ORGANIZATION SHOULD BE CONTACTED FOR THE LATEST REVISION. | | DWN B. BRIGGS 13MAY2005 | Tyco Electronics Harrisburg, PA 17105-3608 | |
| DIMENSIONS: mm [INCHES] | | CHK S. MILLER 13MAY2005 | NAME ADAPTER, HYBRID, SIMPLEX, METALLIZED AMP SC TO FC TYPE | |
| TOLERANCES UNLESS OTHERWISE SPECIFIED: 0 PLC ± 1 PLC ±0.1 2 PLC ± 3 PLC ± 4 PLC ± ANGLES ± FINISH | | APVD S. BUCHTER 13MAY2005 | RESTRICTED TO | |
| MATERIAL | | PRODUCT SPEC | SIZE | CAGE CODE |
| 2 | | APPLICATION SPEC | A200779 | 5503480 |
| | | WEIGHT | SCALE | SHEET |
| | | CUSTOMER DRAWING | 5:1 | 1 OF 1 |

X-ON Electronics

Largest Supplier of Electrical and Electronic Components

Click to view similar products for [Fibre Optic Connectors](#) category:

Click to view products by [TE Connectivity](#) manufacturer:

Other Similar products are found below :

[F718092216](#) [AX104024](#) [AX100068](#) [AX103256](#) [501048-1](#) [E39R37](#) [181-048-16](#) [60926](#) [98039-003LF](#) [A0407006](#) [60923](#) [60921](#) [906-122-5047](#) [2102321-1](#) [F81ELBNNNSNM003](#) [F81ELBNNNSNM005](#) [F81ELBNNNSNM010](#) [FAP6WWDLCZ](#) [FHMPW-6-ABL](#) [FHMPW-6-BCG](#) [FQMAP65W](#) [FHC39N-08-10A](#) [FHC3XO-08-10A](#) [FHC3XO-08-10B](#) [FHC3ZO-08-10A](#) [FHC3ZO-08-10B](#) [FHC3ZA-08-10A](#) [FHC3ZA-08-10B](#) [FC2WA-12-10AS](#) [FHCXO-20F-10A](#) [FHCXO-24F-10A](#) [FC39N-16-10A](#) [FLCS2/9SOCA9AG](#) [FLCS2/9SOCPXAQ](#) [FLCS2/9SOCU9BU](#) [FSCS2/9SOCA9AG](#) [FSCS2/9SOCPXAQ](#) [FSCS2/9SOCU9BU](#) [FC29N-12-10U](#) [LXCRN1C1CL1N](#) [9446W14S-6S](#) [9442W14S-5S](#) [F780904000](#) [944-1023](#) [1534631-1](#) [181-035-1000](#) [20100014231](#) [F718111220](#) [F718190204](#) [17-300940](#)