

MICRO SWITCH

FREEPORT, ILLINOIS, U.S.A.
A DIVISION OF HONEYWELL
FED. MFG. CODE 91929

SWITCH-TOGGLE

CATALOG LISTING 12TL1 SERIES CHART 2

MILITARY
STANDARD
NUMBER

CATALOG
LISTING

AVAILABLE
LOCKING
COMBINATIONS
FOR CONFIGURATION
SEE LETTERED
DETAILS

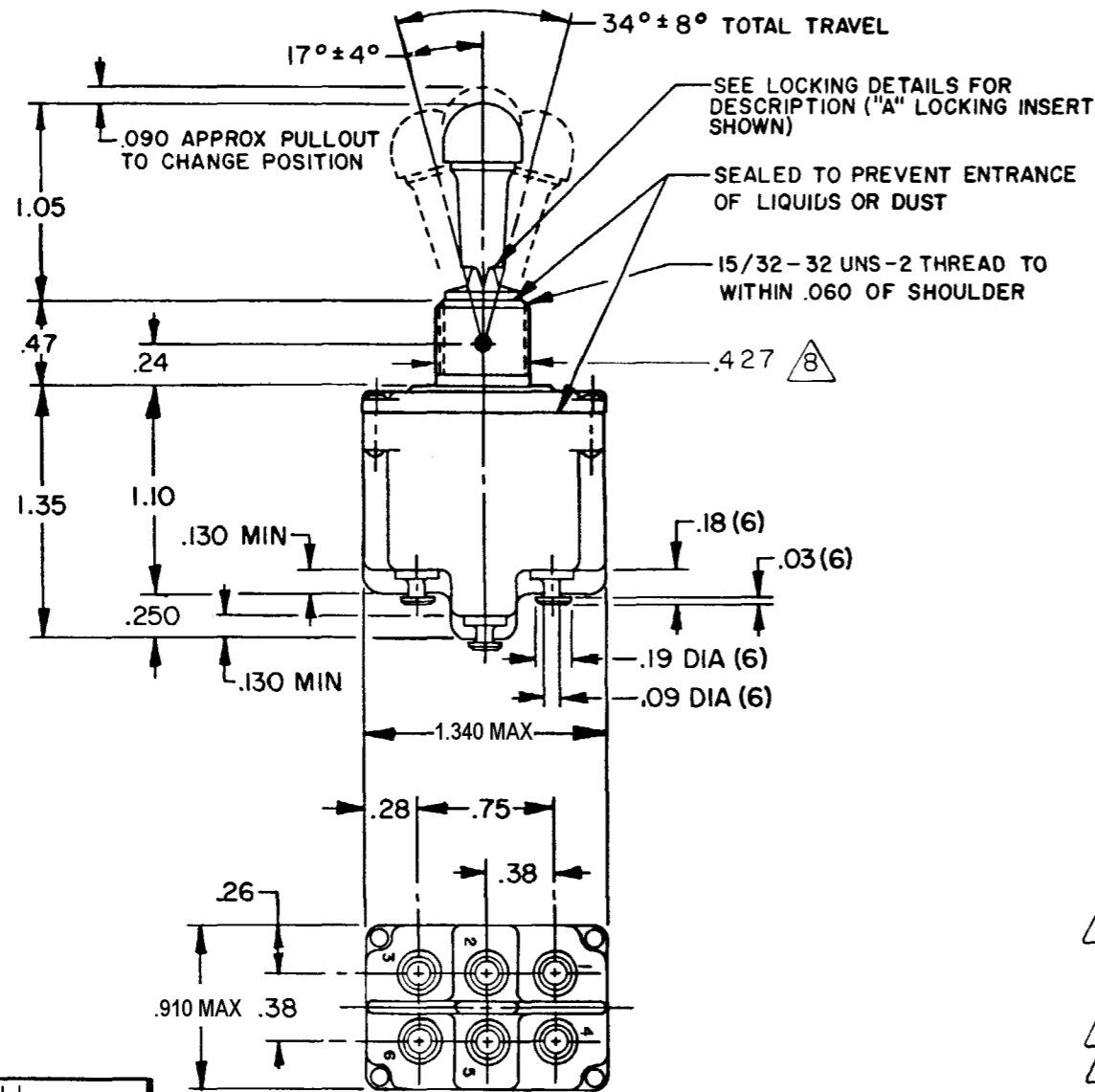
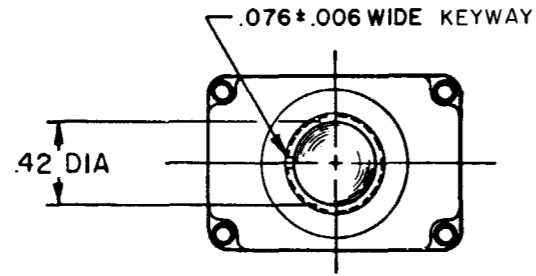
CIRCUIT MADE
WITH TOGGLE LEVER IN

KEYWAY SIDE (1-2, 4-5)	CENTER (1-2,4-5)	OPPOSITE KEYWAY (2-3, 5-6)
ON	OFF	ON
OFF	NONE	ON
ON	NONE	ON
NONE	OFF	ON
NONE	ON	ON
MOM OFF	NONE	ON
MOM ON	OFF	ON
MOM ON	NONE	OFF
MOM ON	OFF	MOM ON
MOM ON	NONE	ON
NONE	ON	MOM ON
MOM ON	OFF	NONE

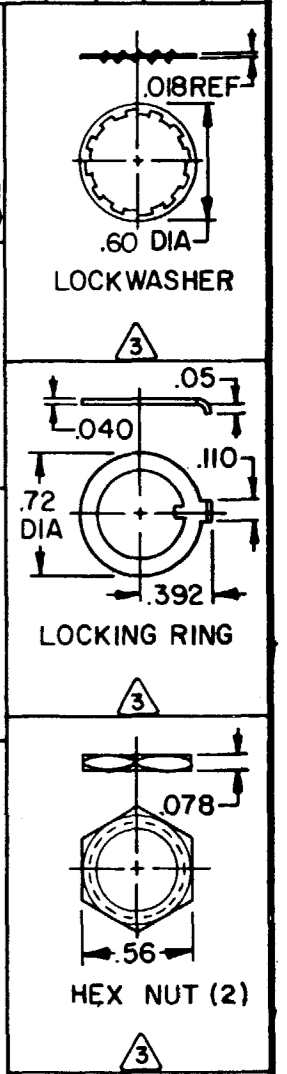
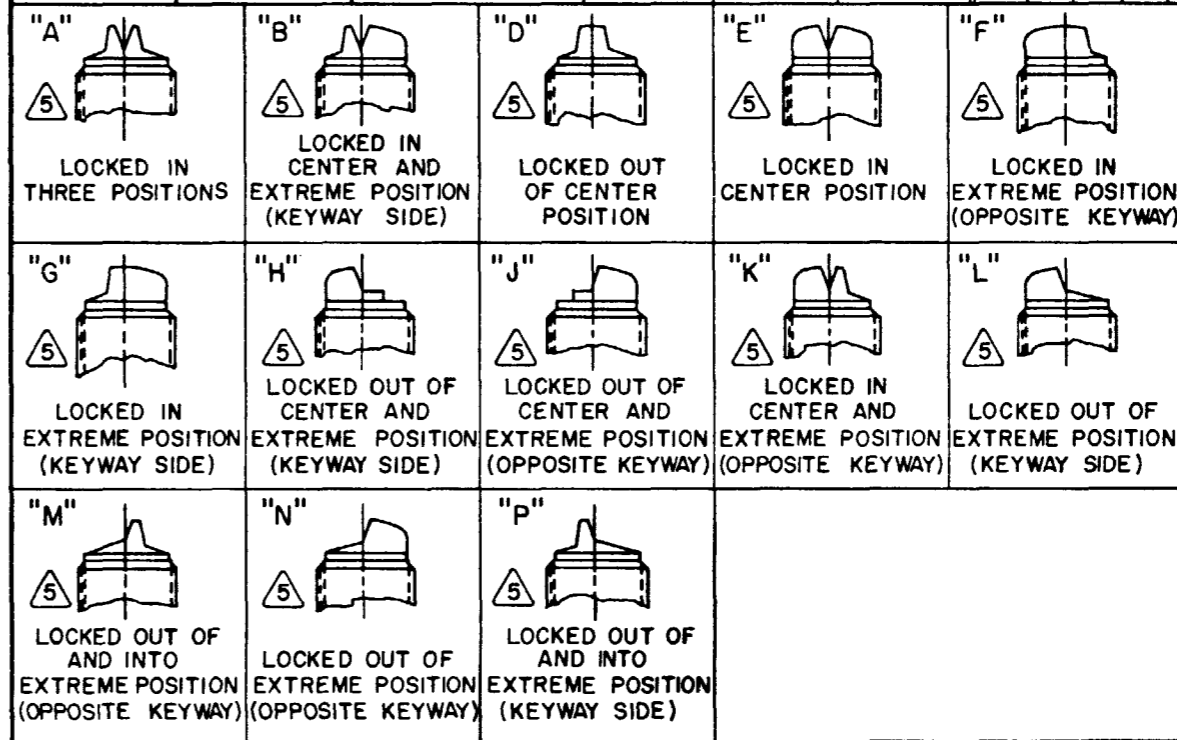
MILITARY RATING (AMPS)

RESISTIVE LOAD		LAMP LOAD		INDUCTIVE LOAD	
DC VOLTS	AC VOLTS	28 VDC	125 VAC	28 VDC	125 VAC
28	125	250	125	250	250
20	.75	.5	15	6	7
18	.75	.5	11	6	5
					2
					10
					.8

THIS DRAWING COVERS A PROPRIETARY ITEM AND IS THE PROPERTY OF MICRO SWITCH, A DIVISION OF HONEYWELL. THIS DRAWING IS NOT TO BE COPIED OR USED WITHOUT THE APPROVAL OF MICRO SWITCH.



MS 27738-21	12TL1-1	A,B,D,E,F,G,H,J,K,L,M,N,P	ON	OFF	ON												
MS 27738-22	12TL1-2	D,F,G	OFF	NONE	ON												
MS 27738-23	12TL1-3	D,F,G	ON	NONE	ON	20	.75	.5	15	6	7	4	15	15			
MS 27738-24	12TL1-21	E,F,K,M	NONE	OFF	ON	(REFER TO L191 FOR UL RATING)											
MS 27738-33	12TL1-31	E,F,K,M	NONE	ON	ON												
MS 27738-29	12TL1-4	F	MOM OFF	NONE	ON												
MS 27738-31	12TL1-5	E,F,K,L,M,N	MOM ON	OFF	ON												
MS 27738-30	12TL1-6	F	MOM ON	NONE	OFF												
MS 27738-27	12TL1-7	E,L,N	MOM ON	OFF	MOM ON	18	.75	.5	11	6	5	2	10	.8			
MS 27738-26	12TL1-8	F	MOM ON	NONE	ON												
MS 27738-32	12TL1-51	E	NONE	ON	MOM ON	(REFER TO L192 FOR UL RATING)											
MS 27738-28	12TL1-61	E	MOM ON	OFF	NONE												



NOTES

- SWITCHES ARE CAPABLE OF WITHSTANDING A TEMPERATURE OF 160°F CONTINUOUSLY AT FULL RATED LOAD
- CIRCUIT DESIGNATION, MICRO SWITCH CATALOG LISTING, DATE CODE, UL RATING AND MS NUMBER IDENTIFIED ON SIDE OF SWITCH
- FURNISHED UNASSEMBLED
- FOR TERMINAL COVER SEE MICRO SWITCH CATALOG LISTING 5PA8
- KEYWAY SHOWN ON LEFT SIDE
- SUFFIX LETTER MUST BE ADDED FOR DESIRED TYPE OF TOGGLE LOCKING. SEE CHART FOR AVAILABLE LOCKING COMBINATIONS
- APPLIES ONLY TO "ON" AND "MOMENTARY ON" POSITIONS FROM BOTTOM OF KEYWAY TO MAJOR DIA OF 15/32 THREAD
-

CATALOG LISTING
12TL1 SERIES CHART 2
PAGE 1 OF 1

ISSUE
15

REVISIONS

A	CO	38392	T M M	28 MAR 78
B	CO	49070	G P T	16 MAY 81
C	CO	49791	W J M	16 JUL 81
D	CO	50496	J A P	16 NOV 81
E	CO	56074	G J W	19 NOV 84
F	CO	92297	J A K	16 FEB 98
G	CO	94428	C S I	28 NOV 99
H	RS	0003086	RS	05 FEB 04

SCALE FULL
DO NOT SCALE PRINT

UNLESS OTHERWISE NOTED
DIMENSIONS ARE IN INCHES

TOLERANCES ARE:
ONE PLACE (.01) ±.030
TWO PLACE (.00) ±.015
THREE PLACE (.000) ±.005
ANGLES

15A-125, 250 OR 277 VAC	10A-125, 250, 277 VAC
1/2HP-125VAC; 1HP-250, 277 VAC	1/4HP-125VAC; 1/2HP-250, 277 VAC
5A-125VAC "L" CODE L191	3A-125VAC "L" CODE 192

WEIGHT .17 LBS MAX

FORMTEK
DRAWN
T M M
28 MAR 78
CHECK
C E B
21 APR 78
CHECK
D F K
1 APR 78
CHECK
M D M
05 FEB 04
RELEASE NO. PR-3536
REPLACES

X-ON Electronics

Largest Supplier of Electrical and Electronic Components

Click to view similar products for [Toggle Switches](#) category:

Click to view products by [Honeywell](#) manufacturer:

Other Similar products are found below :

[A19HV](#) [8A1-C-222](#) [60012L](#) [6006L](#) [6663](#) [7101MD9V30GE](#) [7101SPDV30BE](#) [7103SDV30BE](#) [7105D](#) [7108P3YAV2BE](#) [71YY50282](#)
[7201MD9AVBE](#) [7301K38](#) [7306K36](#) [7310K36](#) [7314K36](#) [7506K4](#) [7592K6](#) [7691K14](#) [7700K1](#) [8396K108](#) [8824K14](#) [8828K13](#) [G2VX](#) [G3VX](#)
[PS83-121G](#) [A101MD9AB04](#) [A101SD9AB04](#) [A101SDCQ04](#) [A103SD9AQ04](#) [A107TZB04](#) [A123P32YZQ](#) [A123S1YZG](#) [A127S1YCQ](#) [1-](#)
[1825192-0](#) [A131S1YZQ](#) [A201SCWZB04](#) [A207SYCB04](#) [A208J61ZQ0004](#) [A221K12KAG](#) [A221S1YZQ](#) [A221T1TCQ](#) [A232K12KZQ](#)
[A232M1YCQ](#) [A323S1CWZQ](#) [A423S1CWZG-M8](#) [A423S1YZQ](#) [12149A-3V](#) [12156AX408](#) [12147AGKX679](#)