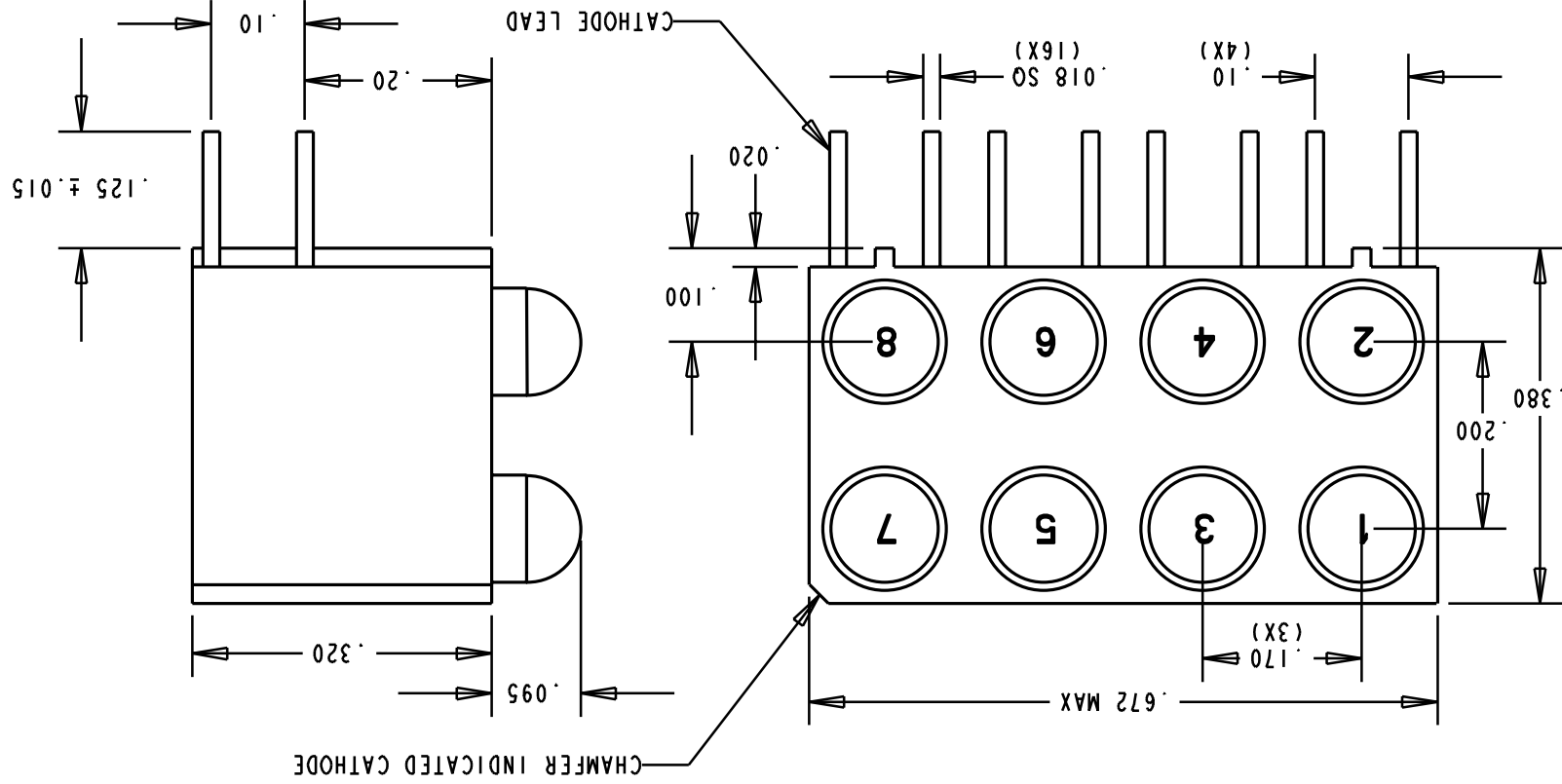
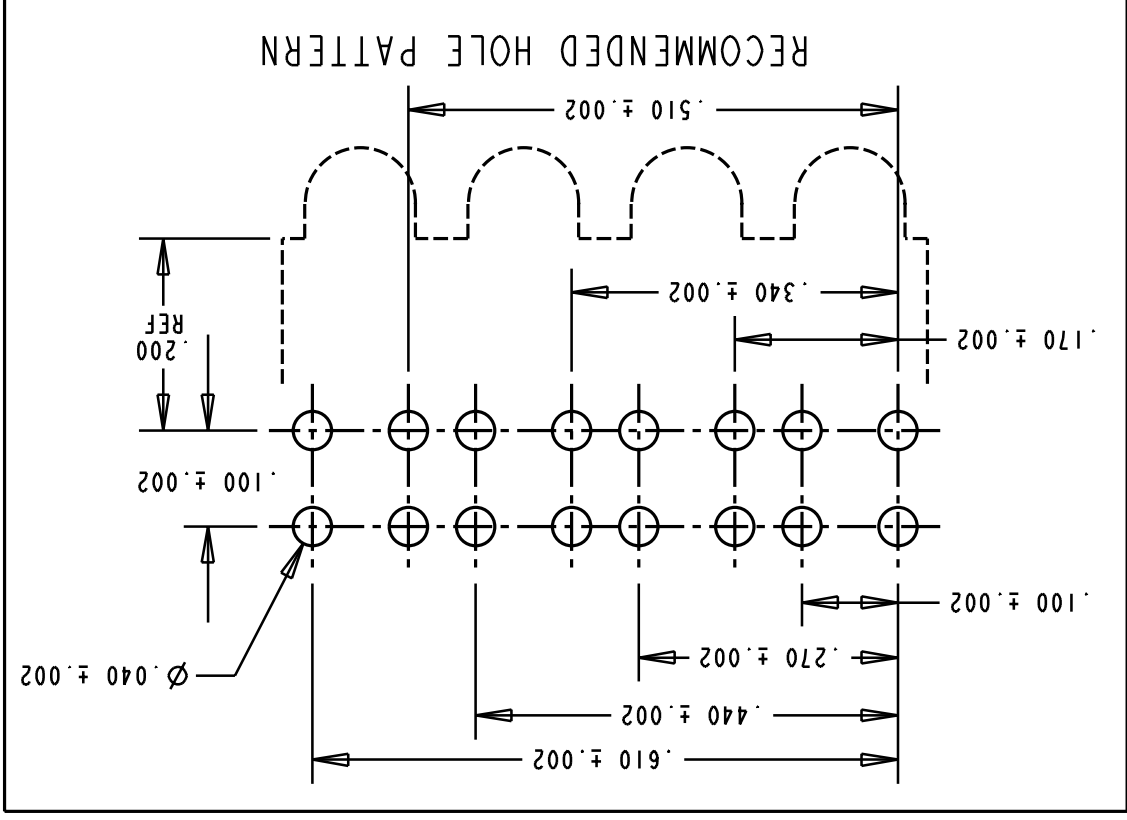


REV.	ECN NO.	REVISIONS	DRN.	CKD.	APP.	DATE
A	—	NEW RELEASE	AV	DC	NO	4-21-99
B	—	CHANGE POS. 5 IN -824 TO GRN	AV			

PART NUMBER	POS. 1	POS. 2	POS. 3	POS. 4	POS. 5	POS. 6	POS. 7	POS. 8
553-0008-825	YELLOW	RED	RED	RED	RED	YELLOW	YELLOW	YELLOW
553-0008-824	GREEN	YELLOW	GREEN	GREEN	GREEN	YELLOW	RED	YELLOW

OPERATING CHARACTERISTICS AT 25°C AMBIENT										
CHARACTERISTICS	LED COLOR	MIN			TYP			MAX		
		UNITS	TEST CONDITIONS							
LUMINOUS INTENSITY	RED	mcd	I <sub>f</sub> = 2 mA	1.0	1.8	1.8	2.2			
				1.0	1.6	1.6				
				1.0	1.6	1.6				
	YELLOW	mcd	I <sub>f</sub> = 2 mA	1.0	1.6	1.6	2.2			
				1.0	1.6	1.6				
				1.0	1.6	1.6				
FORWARD VOLTAGE	RED	V	I <sub>f</sub> = 2 mA	1.8	2.2	1.8	2.2			
				1.9	2.7	1.9	2.7			
				1.8	2.2	1.8	2.2			
	YELLOW	V	I <sub>f</sub> = 2 mA	I <sub>r</sub> = 50 μA	1.9	2.7	1.9	2.7		
					1.8	2.2	1.8	2.2		
					1.8	2.2	1.8	2.2		
REVERSE VOLTAGE	RED	V	I <sub>f</sub> = 50 μA	5		5				
				5		5				
				5		5				
	YELLOW	V	I <sub>f</sub> = 50 μA	I <sub>r</sub> = 50 μA	5		5			
					5		5			
					5		5			
PEAK WAVELENGTH	RED	nm	I <sub>f</sub> = 50 μA	635		635				
				583		583				
				565		565				
	YELLOW	nm	I <sub>f</sub> = 50 μA	I <sub>r</sub> = 50 μA	583		583			
					565		565			
					565		565			
VIEWING ANGLE	RED	Degree	I <sub>f</sub> = 50 μA	50		50				
				50		50				
				50		50				
	YELLOW	Degree	I <sub>f</sub> = 50 μA	I <sub>r</sub> = 50 μA	50		50			
					50		50			
					50		50			



NOTES:  
 1- LEADS TO FIT INTO HOLES SPACED AS PER HOLE PATTERN  
 2- LEADS TO BE FREE OF DEFORMATION AFTER BENDING AND CUTTING  
 3- LED LEAD DIMENSIONS SHOWN ARE MEASURED AT HOUSING EXIT  
 4- DIALIGHT PART NUMBERS : 553-0008-824 553-0008-825

THIS DRAWING AND THE CONTENTS HEREIN ARE CONFIDENTIAL AND THE SOLE PROPERTY OF DIALIGHT. REPRODUCTION OF THIS DRAWING OR CONSTRUCTION OF ANY PARTS WITHIN THIS DRAWING ARE FORBIDDEN WITHOUT THE WRITTEN CONSENT OF DIALIGHT.	
DRAWING NUMBER	C-16528
REV	B
SCALE	5:1
ALL DIM'S IN:	INCHES
TOLERANCES:	UNLESS OTHERWISE SPECIFIED
FRACTIONS:	±1/64
DECIMALS (.XX):	±.020
DECIMALS (.XXX):	±.015
DECIMALS (.XXXX):	
ANGLES:	±3°
FINISH:	
MATERIAL	
TITLE	
2X4 C81 BLOCK ARRAY	
FSCM	
83330	
SHEET	
OF	
Dialight	
1913 ATLANTIC AVE. MANASQUAN, N.J. 08736	
FAMILY TABLE:	

## X-ON Electronics

Largest Supplier of Electrical and Electronic Components

*Click to view similar products for [LED Circuit Board Indicators](#) category:*

*Click to view products by [Dialight](#) manufacturer:*

Other Similar products are found below :

[568-0200-132F](#) [568-0701-841F](#) [568-0734-832F](#) [569-0312-300F](#) [591-2001-107F](#) [592-2222-302F](#) [592-2424-302F](#) [LTL-4221NH129](#) [LTL-42DGNMHDP1](#) [LTM-260-5HT](#) [H131CSRT-120](#) [HLMP1503108F](#) [HLMP1521101](#) [HLMP1523802F](#) [HLMP1700101F](#) [HLMP1700104F](#) [HLMP1790105F](#) [BHA-1564-G](#) [SMF-HM1530YD-305](#) [SSF-LXH103SUGD-04](#) [AM2520EHSGD](#) [HLMP1301104F](#) [HLMP1385101F](#) [HLMP1421101](#) [HLMP1503103F](#) [HLMP1503104F](#) [HLMP1700102F](#) [HLMP1700106F](#) [HLMP1700107F](#) [HLMP1790101F](#) [HLMP1790103F](#) [LTL-4211NHBP](#) [5320F7](#) [5330H7](#) [5350T7](#) [5352T1-5VLC](#) [5352T5-5VLC](#) [5370T7LC](#) [550-1112F](#) [550-3107-010F](#) [551-0206-003F](#) [551-0207-815F](#) [551-0212-801F](#) [551-2802F](#) [552-0794-810F](#) [552-0821F](#) [552-6033-200F](#) [553-0001-808F](#) [553-0122-818F](#) [553-0171F](#)