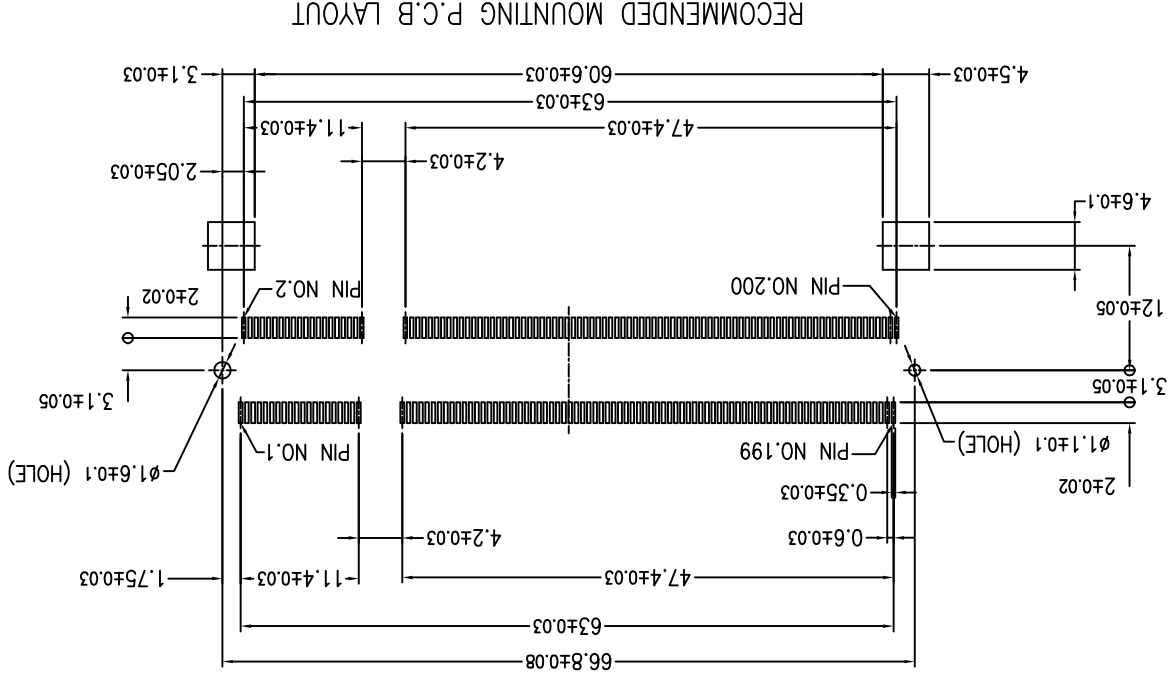




PRODUCT NO.
59354-x52xx

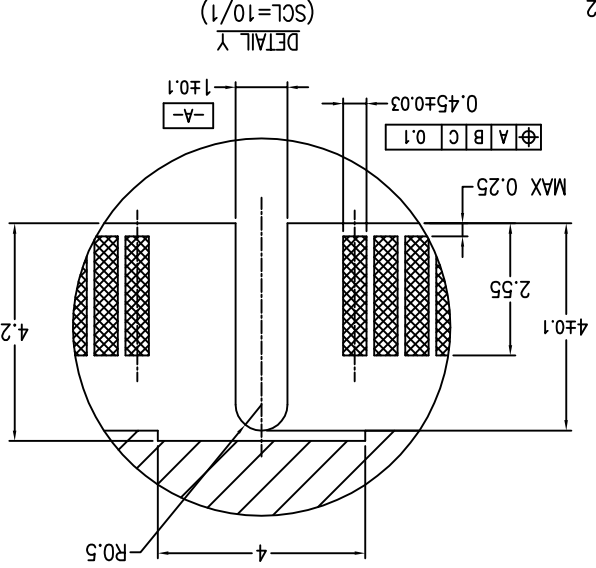
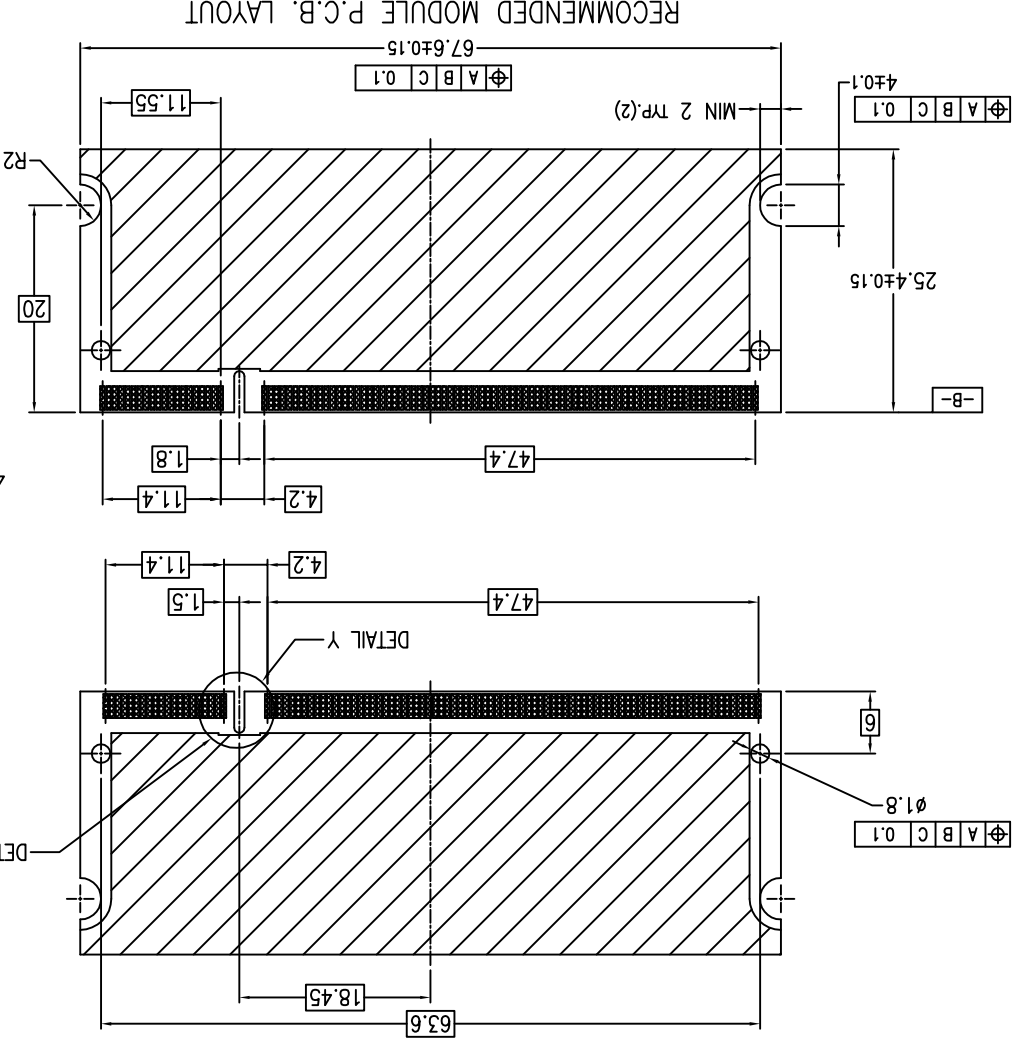
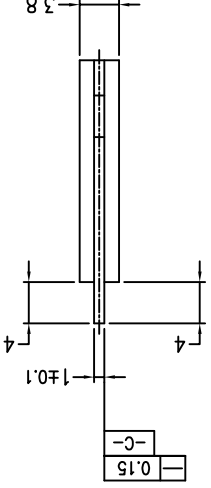


RECOMMENDED MOUNTING P.C.B LAYOUT

mat'l. code		tolerances unless otherwise specified		linear .X ± 0.30		angles .0 ± 2'		dr 11/10/03		engr M.Hasegawa		chr 11/10/03		sheet revision	
itr		ecn no		dr		date		L							
CUSTOMER COPY		projection		title		product family		code		JP		sheet		2 of	
www.fciconnect.com		FCI		DDR SO-DIMM 0.6 mm PITCH 200 POS. STANDARD TYPE ASSY		59354		B		scale		2:1		sheet	



PRODUCT NO. ∇ 59354-x52xx



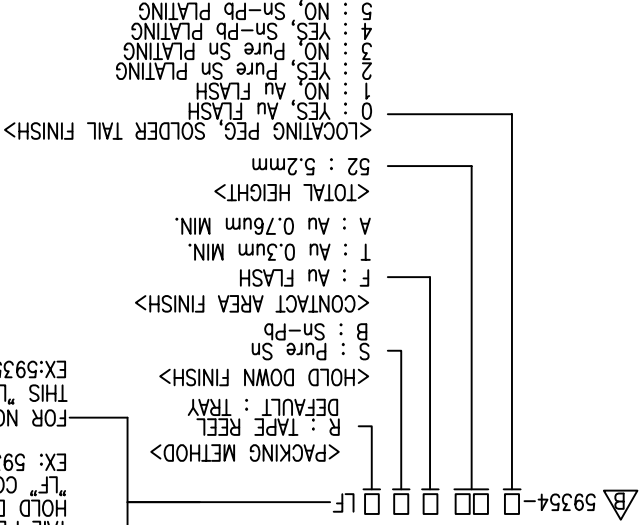
RECOMMENDED MODULE P.C.B. LAYOUT

mat'l. code		tolerances unless otherwise specified		.X ± 0.30		linear		angles		dr		M.Hasegawa		11/10/03		engr		M.Hasegawa		11/10/03		chr		appd		sheet revision		index			
itr		ecn no		dr		date		L																							
CUSTOMER COPY		projection		MM		scale		2:1		B		59354		3 of		sheet		JP		code		product family		SOUF SO-DIMM		title		DDR SO-DIMM 0.6 mm PITCH 200 POS. STANDARD TYPE ASS'Y		www.fciconnect.com	



PRODUCT NO.	LOCATING PEG	TERMINAL CONTACT AREA FINISH	HOLD DOWN FINISH	SOLDER TAIL FINISH
59354-052FS	YES	Au FLASH	Pure Sn PLATING	Au PLATING
59354-152FS	NO	Au FLASH		
59354-052TS	YES	Au FLASH		
59354-152TS	NO	Au 0.3µm MIN.	Pure Sn PLATING	Au PLATING
59354-052AS	YES	Au 0.76µm MIN.		
59354-152AS	NO	Au 0.76µm MIN.		
59354-052FC	YES	Au FLASH	Sn-Cu PLATING	Au PLATING
59354-152FC	NO	Au FLASH		
59354-052TC	YES	Au 0.3µm MIN.		
59354-152TC	NO	Au 0.3µm MIN.	Sn-Cu PLATING	Au PLATING
59354-052AC	YES	Au 0.76µm MIN.		
59354-152AC	NO	Au 0.76µm MIN.		

PRODUCT NO.	LOCATING PEG	TERMINAL CONTACT AREA FINISH	HOLD DOWN FINISH	SOLDER TAIL FINISH
59354-452FS	YES	Au FLASH	Pure Sn PLATING	Sn-Pb PLATING
59354-552FS	NO	Au FLASH		
59354-452TS	YES	Au 0.3µm MIN.		
59354-552TS	NO	Au 0.3µm MIN.	Pure Sn PLATING	Sn-Pb PLATING
59354-452AS	YES	Au 0.76µm MIN.		
59354-552AS	NO	Au 0.76µm MIN.		
59354-452FC	YES	Au FLASH	Sn-Cu PLATING	Sn-Pb PLATING
59354-552FC	NO	Au FLASH		
59354-452TC	YES	Au 0.3µm MIN.		
59354-552TC	NO	Au 0.3µm MIN.	Sn-Cu PLATING	Sn-Pb PLATING
59354-452AC	YES	Au 0.76µm MIN.		
59354-552AC	NO	Au 0.76µm MIN.		



For Rohs OPTIONS:
TAIL PLATING CODE MUST BE 0~3.
"LF" CODE IS EXIST IN THE END.
HOLD DOWN PLATING CODE MUST BE "S".
EX: 59354-252TSLF
FOR NOT Rohs COMPATIBLE:
THIS "LF" CODE IS "BLANK".
EX: 59354-452TS

mat'l. code	itr	ecn no	dr	date	linear	angles	dr	engr	M.Hasegawa	4/6/04	scale	2:1	B	59354	sheet	revision	sheet
tolerances unless otherwise specified	.X ± 0.30				.XX ± 0.30	0 ± 2°			M.Hasegawa	4/6/04	MM			product family	SOUF SO-DIMM	code	JP
CUSTOMER COPY	projection	title	DDR SO-DIMM 0.6 mm PITCH 200 POS. STANDARD TYPE ASSY	www.fciconnect.com										size	dwg no	sheet	4 of

X-ON Electronics

Largest Supplier of Electrical and Electronic Components

Click to view similar products for [IC & Component Sockets](#) category:

Click to view products by [FCT Electronics](#) manufacturer:

Other Similar products are found below :

[714-43-102-31-012000](#) [0066-3-17-15-30-14-02-0](#) [0134-0-15-15-32-27-04-0](#) [614-DG5](#) [6527-0-00-15-00-00-03-0](#) [670](#) [672](#) [673](#) [712-93-120-41-001000](#) [714-93-104-31-018000](#) [8059-4G1-LF](#) [807-22-001-10-001101](#) [807-22-001-10-003101](#) [807-22-001-10-004101](#) [807-22-001-10-006101](#) [807-22-001-30-011101](#) [807-22-001-30-012101](#) [807-22-001-30-013101](#) [807-22-001-30-014101](#) [8-1437531-4](#) [8150-6P10](#) [833-93-034-10-001000](#) [835-43-014-10-001000](#) [851-41-006-10-001000](#) [851-43-008-20-001000](#) [851-43-014-20-001000](#) [851-93-006-20-001000](#) [851-93-010-20-001000](#) [852-10-026-10-001000](#) [853-43-020-10-001000](#) [86.010.0053.0](#) [116-43-306-41-003000](#) [116-43-308-41-007000](#) [116-87-308-41-007101](#) [PX-68LCC](#) [PX-84LCC](#) [121-13-318-41-001000](#) [121-13-320-41-001000](#) [121-13-308-41-001000](#) [123-43-314-41-801000](#) [123-43-420-41-001000](#) [123-43-636-41-001000](#) [123-87-320-41-001101](#) [122-13-316-41-001000](#) [123-13-624-41-001000](#) [123-43-306-41-001000](#) [123-43-322-41-801000](#) [123-43-428-41-001000](#) [123-43-624-41-001000](#) [12-3513-11](#)