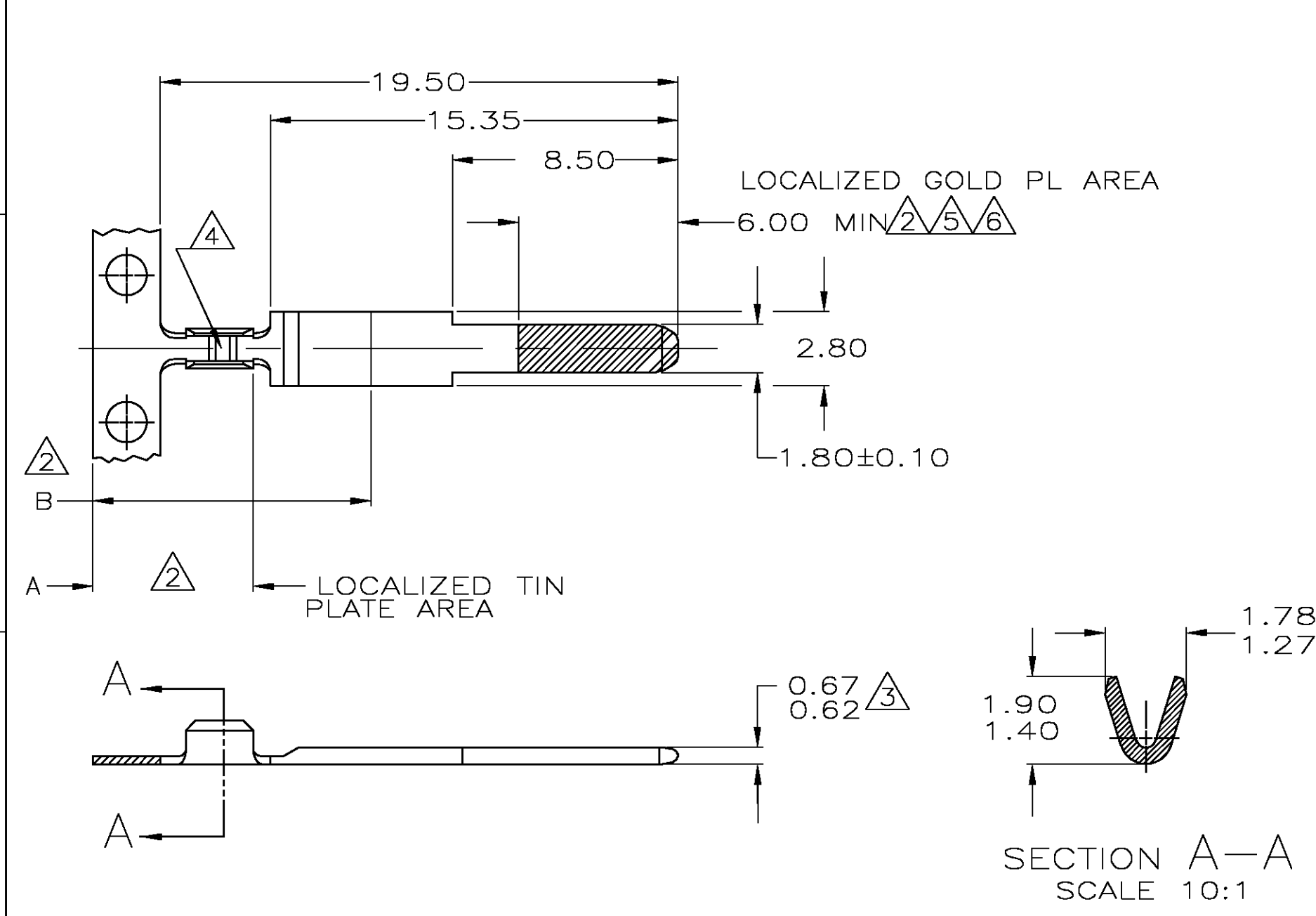


THIS DRAWING IS UNPUBLISHED. RELEASED FOR PUBLICATION
 © COPYRIGHT BY TYCO ELECTRONICS CORPORATION. ALL RIGHTS RESERVED.

LOC	DIST	REVISIONS					
GE	00	P	LTR	DESCRIPTION	DATE	DWN	APVD
			F1	REDRAWN - 0K40-0364-03	05MAY03	JRB	KLC



- 1 CONTINUOUS STRIP ON REELS
- 2 FINISH: PLATE 0.00076 MIN THK GOLD IN LOCALIZED GOLD PLATE AREA AND PLATE 0.0025 TO 0.0076 TIN IN LOCALIZED TIN PLATE AREA ALL OVER 0.00200 MIN THK NICKEL.
- 3 INCLUDES PLATING THICKNESS.
- 4 TWO WIRE CRIMP SERRATIONS LOCATED IN THIS AREA.
- 5 DIM 6.0 POINT OF PLATING MEASUREMENT.
- 6 NO POST PLATING TOOL MARKS PERMITTED IN THIS AREA
- 7 FINISH: 0.0038 TO 0.0076 TIN OVER 0.00127 MIN NICKEL.

107-3 FIG. 73	B=10.75	2	SAE CA 260 TEMP 2 BRASS	#30 SOLID	55931-4
107-3 FIG. 72	TOTAL	7	SAE CA 260 TEMP 2 BRASS	#30 SOLID	55931-3
107-3 FIG. 72	A=6.1	2	SAE CA 260 TEMP 2 BRASS	#30 SOLID	55931-1
REELING DIRECTION	Sn PLATING LOCATION	FINISH	MATERIAL	WIRE SIZE	PART NO.

THIS DRAWING IS A CONTROLLED DOCUMENT.

DWN	JR RUTH	4/21/93	tyco Electronics	Tyco Electronics Corporation	
CHK	P.A. COON	4/21/93		Harrisburg, PA 17105-3608	
APVD	-	4/21/93	NAME	ECT/ACT 1.8 X 0.64 SENSOR TAB	
PRODUCT SPEC	-	4/21/93		-	
APPLICATION SPEC	-	C.R. RHOADS	-		RESTRICTED TO
WEIGHT	-	-	SIZE	CAGE CODE	DRAWING NO
SEE TABLE	SEE TABLE	SEE TABLE	A3	00779	C-55931
CUSTOMER DRAWING			SCALE	SHEET	REV
			5:1	1 OF 1	F1

X-ON Electronics

Largest Supplier of Electrical and Electronic Components

Click to view similar products for [Automotive Connectors](#) category:

Click to view products by [TE Connectivity](#) manufacturer:

Other Similar products are found below :

[003-018-000](#) [600858](#) [60403001](#) [60993906-B](#) [60993913-B](#) [629515004020001](#) [M902-2131](#) [M902-2161](#) [M902-2344](#) [72.330.1035.1](#)
[73.353.4028.0](#) [F118010](#) [F119300-B](#) [F132210](#) [F132210-B](#) [F166900](#) [F180100](#) [F258300](#) [F258300-B](#) [F294300-B](#) [F339100](#) [F339700](#) [F358300-](#)
[B](#) [F374110](#) [F407400](#) [F412210](#) [F427600](#) [F444110](#) [F487000](#) [F495100-B](#) [F500900-B](#) [F509500B-B](#) [770444-1](#) [776880-1](#) [827153-1](#) [881735-1](#)
[8N1515-32-24P](#) [9-1326727-8](#) [9-1326729-8](#) [925467-1](#) [925474-1](#) [928905-1](#) [936398-2](#) [964562-1](#) [964562-4](#) [964731-2](#) [965051-1](#) [968782-1](#)
[GT17SA-8DS-HU](#) [GT17VS-10DP-5.2CF](#)