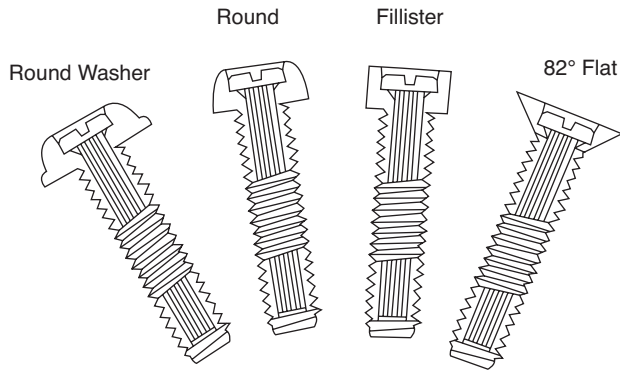


**DIMENSIONS: in**

**Features:**

- Protect
- Insulate
- Isolate

**Replaces:**

- Costly Brass and Stainless Steel Fasteners
- Costly Multiple Component Insulated Screw Assemblies
- Costly Sleeved and Cladded Screws
- Marginal Standard Nylon Fastener Applications

MATERIALS	
Nylon Shell:	Nylon 6/6 Natural, High Dielectric Resistance, Corrosion Resistant, Vibration and Abrasion Resistant
Reinforcing Core:	High Strength, High Carbon, C.H.Q. Steel, Precision Cold Formed and Knurled, Electro Zinc or Cadmium Plated

DIMENSIONS: IN.				
Head Style	Thread Size			
	632	832	1032	1/4-20
<b>82° Flat</b>				
Head $\phi$	0.265±0.005	0.305±0.005	0.370±0.005	0.510±0.005
Head Height	0.085±0.005	0.100±0.005	0.120±0.005	0.155±0.005
<b>Fillister</b>				
Head $\phi$	0.230±0.005	0.260±0.005	0.310±0.005	0.400±0.005
Head Height	0.135±0.005	0.140±0.005	0.160±0.005	0.220±0.005
<b>Round</b>				
Head $\phi$	0.225±0.005	0.300±0.005	0.340±0.005	0.450±0.005
Head Height	0.095±0.005	0.120±0.005	0.130±0.005	0.165±0.005
<b>Round Washer</b>				
Head $\phi$	0.230±0.005	0.265±0.005	0.315±0.005	0.460±0.005
Head Height	0.100±0.005	0.110±0.005	0.125±0.005	0.175±0.005
Washer Thickness	0.025±0.005	0.032±0.005	0.036±0.005	0.056±0.005
Washer $\phi$	0.300±0.005	0.370±0.005	0.425±0.005	0.550±0.005

Thread Size	MOUSER STOCK NO.	Description (Thread x Length)
632	561-A632.25	632x0.25
	561-A632.375	632x0.375
	561-A632.5	632x0.5
	561-FMC632.25	632x0.25
	561-FMC632.375	632x0.375
	561-FMC632.5	632x0.5
	561-R632.25	632x0.25
	561-R632.375	632x0.375
	561-R632.5	632x0.5
	561-W632.25	632x0.25
	561-W632.375	632x0.375
	561-W632.5	632x0.5
832	561-A832.375	832x0.375
	561-A832.5	832x0.5
	561-FMC832.375	832x0.375
	561-FMC832.5	832x0.5
	561-R832.375	832x0.375
	561-R832.5	832x0.5
	561-W832.375	832x0.375
561-W832.5	832x0.5	
1032	561-A1032.375	1032x0.375
	561-A1032.5	1032x0.5
	561-A1032.75	1032x0.75
	561-F1032.375	1032x0.375
	561-F1032.5	1032x0.5
	561-F1032.75	1032x0.75
	561-R1032.375	1032x0.375
	561-R1032.5	1032x0.5
	561-R1032.75	1032x0.75
	561-W1032.375	1032x0.375
	561-W1032.5	1032x0.5
561-W1032.75	1032x0.75	
1/4-20	561-A2520.375	1/4-20x0.375
	561-A2520.5	1/4-20x0.5
	561-A2520.62	1/4-20x0.625
	561-A2520.75	1/4-20x0.75
	561-A2520.100	1/4-20x1
	561-F2520.375	1/4-20x0.375
	561-F2520.5	1/4-20x0.5
	561-F2520.62	1/4-20x0.625
	561-F2520.75	1/4-20x0.75
	561-F2520.100	1/4-20x1
	561-R2520.375	1/4-20x0.375
	561-R2520.5	1/4-20x0.5
	561-R2520.62	1/4-20x0.625
	561-R2520.75	1/4-20x0.75
	561-R2520.100	1/4-20x1
	561-W2520.375	1/4-20x0.375
	561-W2520.5	1/4-20x0.5
	561-W2520.62	1/4-20x0.625
561-W2520.75	1/4-20x0.75	