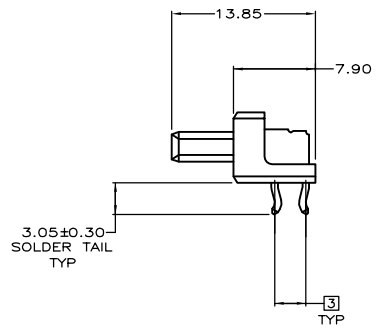
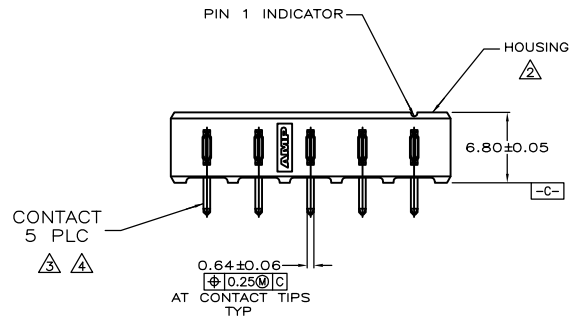
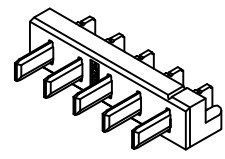
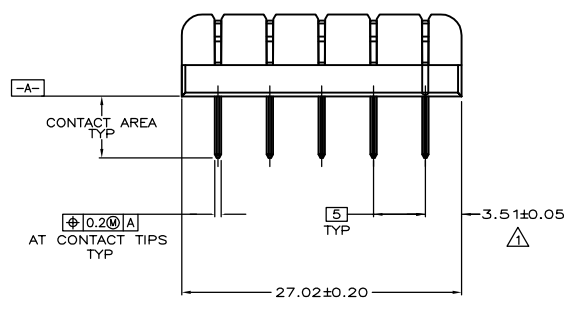
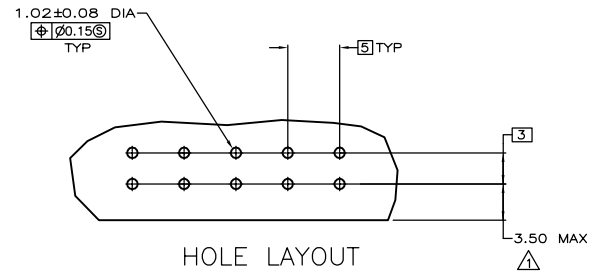


THIS DRAWING IS UNPUBLISHED. RELEASED FOR PUBLICATION  
 © COPYRIGHT BY TYCO ELECTRONICS CORPORATION. ALL RIGHTS RESERVED.

|     |      |           |     |                        |         |     |      |
|-----|------|-----------|-----|------------------------|---------|-----|------|
| LOC | DIST | REVISIONS |     |                        |         |     |      |
| ES  | 00   | P         | LTR | DESCRIPTION            | DATE    | DWN | APVD |
|     |      | 0         |     | RELEASED ECR-05-001438 | 30MAR05 | J.Z | I.E  |



- ① COORDINATE DIMENSION APPLIES FROM CENTER OF ACTUAL FEATURE.
- ② HOUSING: LCP, BLACK
- ③ 2.54um MIN TIN ON SOLDER TAIL OVER 1.90um MIN NICKEL ALL OVER.
- ④ CONTACTS: BRASS



5787443-1  
PART NO

|                                        |  |              |         |                  |                                   |                                                                                                                        |      |           |
|----------------------------------------|--|--------------|---------|------------------|-----------------------------------|------------------------------------------------------------------------------------------------------------------------|------|-----------|
| THIS DRAWING IS A CONTROLLED DOCUMENT. |  | DWN          | S.KLINE | 03-28-95         | <b>tyco</b><br><b>Electronics</b> | Tyco Electronics Corporation<br>Shanghai PRC                                                                           |      |           |
| DIMENSIONS:<br>mm                      |  | CHK          | S.KLINE | 03-30-95         |                                   | NAME<br>HEADER ASSEMBLY, RIGHT ANGLE,<br>KEYLESS, 5mm $\phi$ , 5 POSN,<br>RETENTIVE SOLDER TAILS, BATTERY INTERCONNECT | SIZE | CAGE CODE |
| TOLERANCES UNLESS OTHERWISE SPECIFIED: |  | APVD         | S.KLINE | 03-30-95         | 108-1501                          |                                                                                                                        | A3   | 00779     |
| MATERIAL                               |  | PRODUCT SPEC |         | APPLICATION SPEC |                                   | RESTRICTED TO                                                                                                          |      |           |
| FINISH                                 |  | 114-24005    |         | WEIGHT           |                                   | SCALE                                                                                                                  |      | 2:1       |
| CUSTOMER DRAWING                       |  | SHEET        |         | 1 OF 1           |                                   | REV                                                                                                                    |      | 0         |

## X-ON Electronics

Largest Supplier of Electrical and Electronic Components

*Click to view similar products for [Power to the Board](#) category:*

*Click to view products by [TE Connectivity](#) manufacturer:*

Other Similar products are found below :

[10131318-08512GRLF](#) [6450171-4](#) [6450552-7](#) [6600323-8](#) [6643429-1](#) [6646040-2](#) [6651939-1](#) [6766604-1](#) [120959-1](#) [1393557-2](#) [1393532-2](#)  
[1393532-3](#) [1393532-4](#) [1393557-1](#) [1600812-5](#) [1-6450861-2](#) [1645595-1](#) [1743490-1](#) [1744132-7](#) [1761122-1](#) [1766169-1](#) [1766250-1](#) [18362](#)  
[1892109-1](#) [1-967627-6](#) [2226808-1](#) [2-6450860-5](#) [2-6450860-6](#) [2-6450870-0](#) [93003-0502](#) [953552-1](#) [1-6450161-4](#) [1-6450850-6](#) [1645526-2](#) [1-](#)  
[6600130-0](#) [1743419-1](#) [1766150-1](#) [2005243-2](#) [211110-1](#) [2-6600130-2](#) [TE34-12-16P-F0](#) [51700-10201602AALF](#) [5-6450830-6](#) [5646956-4](#)  
[36662-0005](#) [40585-3000](#) [4-6450830-9](#) [4-6600333-3](#) [51142-0214](#) [10125416-4050LF](#)