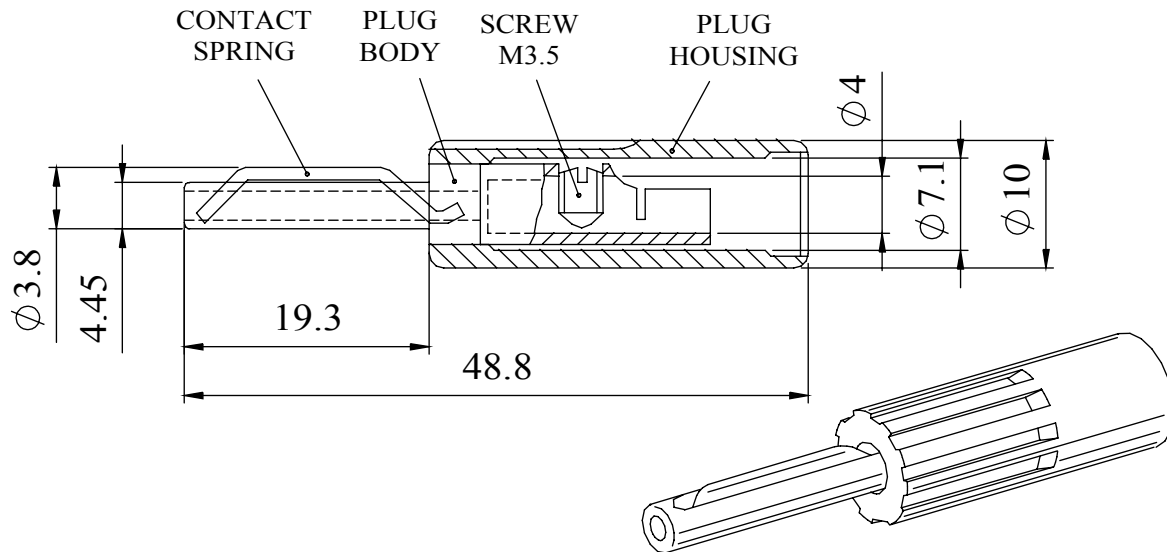


A standard in-line 4mm banana plug with a stainless steel contact spring.
 The large rear diameter of this plug will accept cables with a conductor of up 5,5mm (10 awg). The lead wire can be held either by soldering in a large solder bucket, or by a set screw. When the cable is held by the set screw, the solder bucket can also be crimped for added strength, (suitable crimping tool - Daniels Manufacturing D36 Hydraulic Crimper).

The product is also supplied with a large diameter insulating cover that accepts cables with a maximum outside diameter of 7,1mm.

Dimensions



MATERIAL

CONTACT SPRING PLUG BODY SCREW PLUG HOUSING : Stainless Steel, BS 302
 : Brass, TR1 CZ 131 nickel plated
 : Brass, BS 2874
 : Acetal, C 27021 R

RATING : 16 Amps

VOLTAGE : 50 Volts max

Part No.	Description	
583-0100	BLACK	(NICKEL PLATED)
583-0500	RED	(NICKEL PLATED)

X-ON Electronics

Largest Supplier of Electrical and Electronic Components

Click to view similar products for [Test Plugs & Test Jacks](#) category:

Click to view products by [Deltron](#) manufacturer:

Other Similar products are found below :

[579-0400](#) [66000-7](#) [R644543000](#) [R921923000](#) [R921930000](#) [R941344000](#) [R948161000](#) [R999351000](#) [1408-4](#) [1533-1](#) [174-R825B-EX](#)
[NYS508-BU](#) [NYS508-O](#) [1680](#) [174-R819B-EX](#) [R644543003](#) [R644543020](#) [R644543021](#) [R921926000](#) [R921931000](#) [R921932000](#)
[R921934000](#) [R929991000](#) [R941460000](#) [R941461000](#) [R941463600](#) [R941920600](#) [R948160000](#) [31B-2-RED](#) [032-0016-023](#) [105-1106-001](#)
[108-1000-106](#) [108-2301-621](#) [111-0707-001](#) [66001-9](#) [7013](#) [1395080-1](#) [930166100](#) [NYS508-GR](#) [NYS508-V](#) [NYS508-W](#) [NYS508-Y](#)
[NYS511-R](#) [BP30-2BR10-B PKG](#) [BP30-10-WT](#) [BP30-2BR-B PKG](#) [BP30Y-1 PKG](#) [R941049000](#) [R941340000](#) [R948141029](#)