

Zero Insertion Pressure Socket

ELK SERIES



FEATURES

- Compact mechanical construction to ensure long term life.
- Zero insertion and extraction pressure.
- Standard 0.100" (2.54mm) IC pitch, easy to mount in PC board.
- All plastics are UL 94V-0 grade fire retardant .
- Gold plated contact to ensure low contact resistance and long operation life.

SPECIFICATIONS

● ELECTRICAL

Contact Rating	50 VDC, 100 mA
Contact Resistance Initial After life test	10 m Ω Max. 20 m Ω Max.
Insulation Resistance	100 M Ω Min.
Dielectric Strength	500 VDC Min. for 60 seconds
Capacitance between adjacent contacts 5pF Max.	

● MECHANICAL AND ENVIRONMENTAL

Temperature Rating Operating Storage	-25°C to +70°C -40°C to +85°C
Operating Life	50,000 cycles (without load) 25,000 cycles (with load)
Humidity	95% RH, 40°C for 96 Hrs.
Vibration	Per MIL-STD-202F, METHOD 201A
Solderability	After flux 230 \pm 5°C for 5 \pm 0.5 seconds, 95% coverage
Soldering Heat	260 \pm 5°C for 5 \pm 1 Seconds

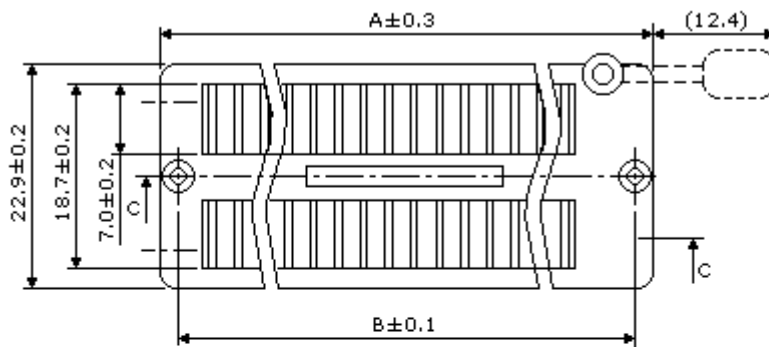
PART NUMBERING SYSTEM

ELK 3 24 XX
 +----- Option
 00:BLUE
 01:BLACK
 07:GREEN
 +----- Number of Leads
 24,28,32,40,48
 +----- Row Spacing:
 0:0.3 and 0.6 mix
 3:0.3 inch (7.62mm)
 4:0.4 inch (10.16mm)
 6:0.6 inch (15.24mm)
 9:0.9 inch (22.86mm)
 +----- Series Name

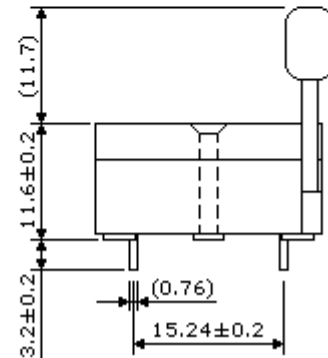
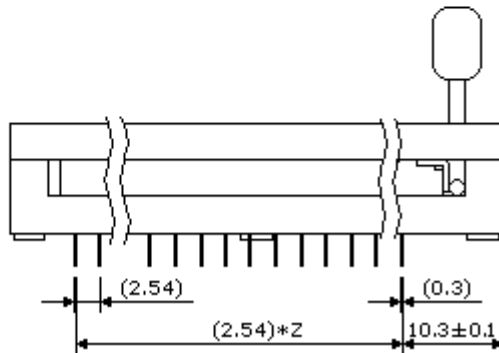


DIMENSIONS (UNIT:mm)

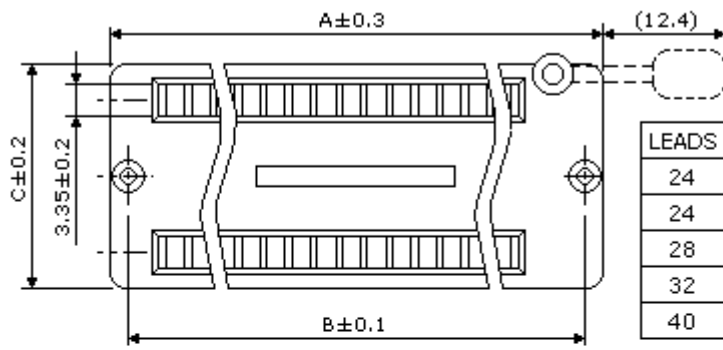
FOR ROW SPACING 0 TYPE



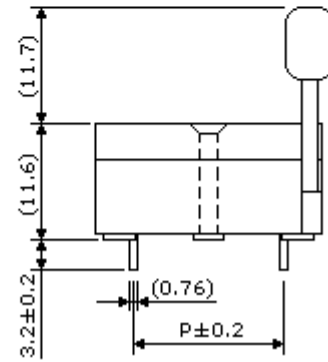
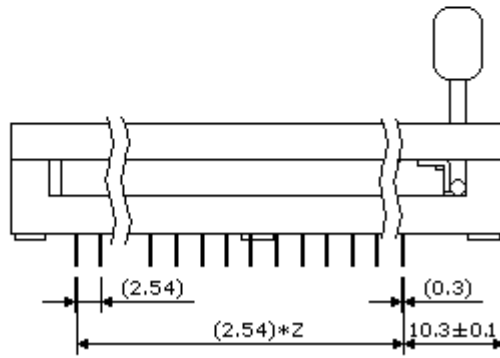
LEADS	PART NO.	A	B	Z
24	ELK024	45.3	40.9	11
28	ELK028	50.4	46.0	13
32	ELK032	55.5	51.1	15
40	ELK040	65.6	61.2	19
48	ELK048	75.8	71.4	23



FOR ROW SPACING 3,4,6,9 TYPE



LEADS	PART NO.	A	B	C	Z	P
24	ELK324	45.3	40.9	14.9	11	7.62
24	ELK624	45.3	40.9	22.9	11	15.24
28	ELK628	50.4	46.0	22.9	13	15.24
32	ELK632	55.5	51.1	22.9	15	15.24
40	ELK640	65.6	61.2	22.9	19	15.24



X-ON Electronics

Largest Supplier of Electrical and Electronic Components

Click to view similar products for [IC & Component Sockets](#) category:

Click to view products by [ECC manufacturer](#):

Other Similar products are found below :

[714-43-102-31-012000](#) [0066-3-17-15-30-14-02-0](#) [0134-0-15-15-32-27-04-0](#) [614-DG5](#) [6527-0-00-15-00-00-03-0](#) [670](#) [672](#) [673](#) [712-93-120-41-001000](#) [714-93-104-31-018000](#) [8059-4G1-LF](#) [807-22-001-10-001101](#) [807-22-001-10-003101](#) [807-22-001-10-004101](#) [807-22-001-10-006101](#) [807-22-001-30-011101](#) [807-22-001-30-012101](#) [807-22-001-30-013101](#) [807-22-001-30-014101](#) [8-1437531-4](#) [8150-6P10](#) [833-93-034-10-001000](#) [835-43-014-10-001000](#) [851-41-006-10-001000](#) [851-43-008-20-001000](#) [851-43-014-20-001000](#) [851-93-006-20-001000](#) [851-93-010-20-001000](#) [852-10-026-10-001000](#) [853-43-020-10-001000](#) [86.010.0053.0](#) [116-43-306-41-003000](#) [116-43-308-41-007000](#) [116-87-308-41-007101](#) [PX-68LCC](#) [PX-84LCC](#) [121-13-318-41-001000](#) [121-13-320-41-001000](#) [121-13-308-41-001000](#) [123-43-314-41-801000](#) [123-43-420-41-001000](#) [123-43-636-41-001000](#) [123-87-320-41-001101](#) [122-13-316-41-001000](#) [123-13-624-41-001000](#) [123-43-306-41-001000](#) [123-43-322-41-801000](#) [123-43-428-41-001000](#) [123-43-624-41-001000](#) [12-3513-11](#)