



EMIF06-mSD02C3

Mini and micro-SD card IPAD™
EMI filtering and ESD protection

Features

- EMI low-pass filter
- ESD protection ± 15 kV (IEC 61000-4-2)
- Integrated pull up resistors to prevent bus floating when no card is connected
- 50 MHz clock frequency compatibility with $C_{line} < 20$ pF
- Low power consumption
- Easy layout thanks to smart pin-out configuration
- Very low PCB space consuming
- High reliability offered by monolithic integration
- Reduction of parasitic elements thanks to CSP integration
- Lead-free package

Complies with the following standards:

- IEC 61000-4-2 level 4
 - 15 kV (air discharge)
 - 8 kV (contact discharge)
- MIL STD 883G - Method 3015-7 Class 3A
- SD Specification Part 1, Physical Layer Specification, Version 2.0

Application

Mini and micro (T-Flash) secure digital memory card in:

- Mobile phones
- Communication systems

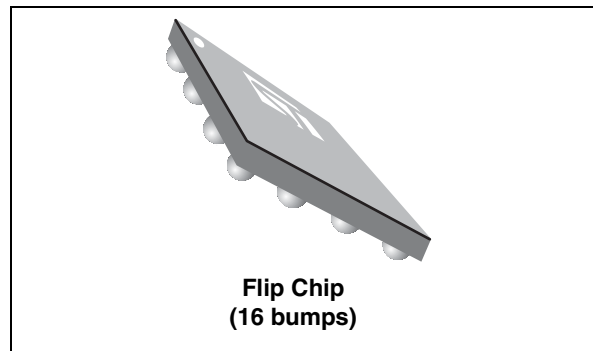
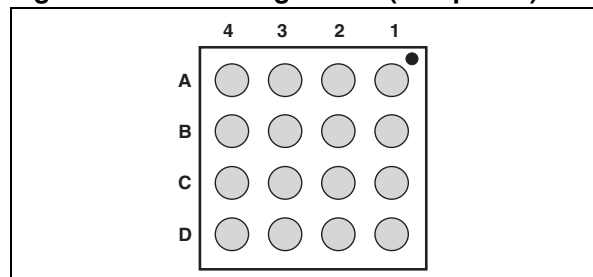


Figure 1. Pin configuration (bump side)



Description

The EMIF06-mSD02C3 is a highly integrated device based on IPAD technology offering two functions: ESD protection to comply with IEC standard, and EMI filtering to reject mobile phone frequencies.

TM: IPAD is a trademark of STMicroelectronics

1 Characteristics

Table 1. Absolute ratings (limiting values)

| Symbol | Parameter | Value | Unit |
|------------------|--|---------------|------|
| V _{PP} | ESD discharge IEC 61000-4-2, air discharge | 15 | kV |
| | ESD discharge IEC 61000-4-2, contact discharge | 15 | |
| V _{in} | Maximum input voltage | 5.5 | V |
| T _j | Maximum junction temperature | 125 | °C |
| T _{op} | Operating temperature range | - 40 to + 85 | °C |
| T _{stg} | Storage temperature range | - 55 to + 150 | °C |

Figure 2. EMIF06-mSD02C3 configuration

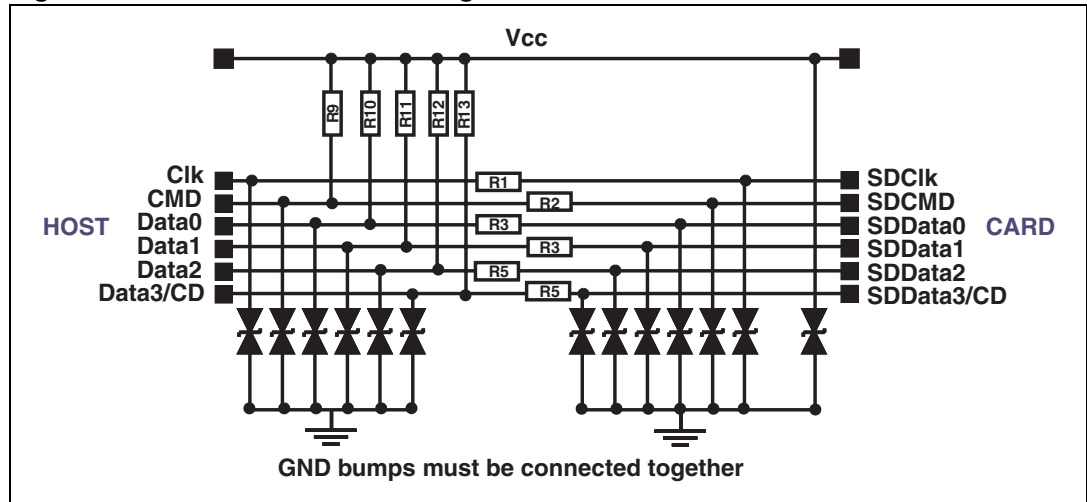


Table 2. Pin configuration

| Pin | Signal | Pin | Signal |
|-----|-----------------|-----|-----------------|
| A1 | DATA0 | C1 | CMD |
| A2 | DATA1 | C2 | V _{SS} |
| A3 | SDDATA1 | C3 | V _{SS} |
| A4 | SDDATA0 | C4 | SDCMD |
| B1 | CLK | D1 | DATA3/CD |
| B2 | V _{CC} | D2 | DATA2 |
| B3 | V _{SS} | D3 | SDDATA2 |
| B4 | SDCLK | D4 | SDDATA3/CD |

Table 3. Electrical characteristic

| Symbol | Test conditions | Min. | Typ. | Max. | Unit |
|------------------------|---|------|------|------|------------------|
| V_{BR} | $I_R = 1 \text{ mA}$ | 14 | 16 | | V |
| I_{RM} | $V_{RM} = 3 \text{ V}$ | | | 0.1 | μA |
| R1, R2, R3, R4, R5, R6 | Tolerance $\pm 20 \%$ | | 40 | | Ω |
| R10, R11, R12, R13 | Tolerance $\pm 30 \%$ | | 56 | | $\text{k}\Omega$ |
| R9 | Tolerance $\pm 30 \%$ | | 4.7 | | $\text{k}\Omega$ |
| C_{line} | $V = 0 \text{ V}, F = 1 \text{ MHz}, V_{OSC} = 30 \text{ mV}$ | | 15 | 20 | pF |

Figure 3. S21 attenuation measurements

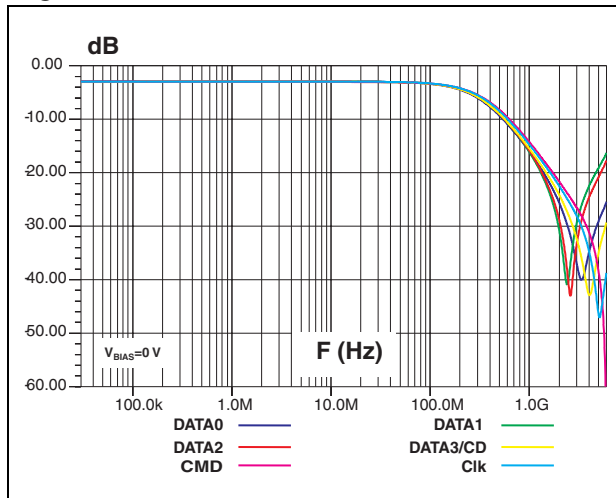


Figure 4. Analog crosstalk measurements

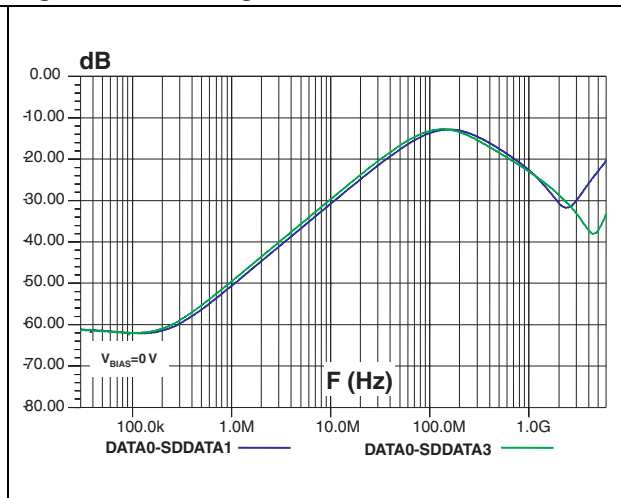


Figure 5. ESD response to IEC 61000-4-2 (+15 kV air discharge) on CLK and data lines

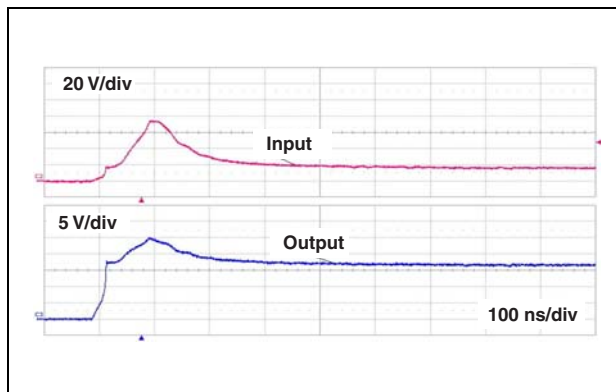


Figure 6. ESD response to IEC 61000-4-2 (-15 kV air discharge) on CLK and data lines

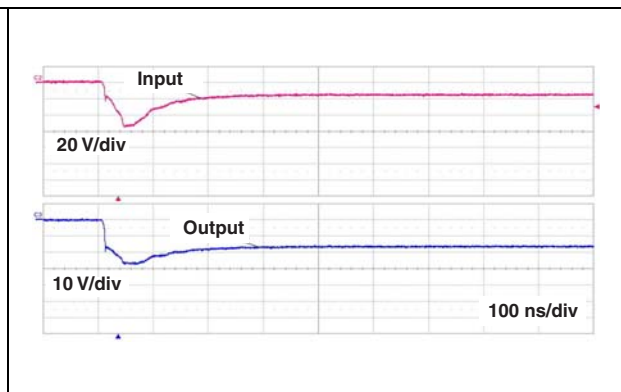


Figure 7. ESD response to IEC 61000-4-2 (+15 kV air discharge) on V_{CC} line

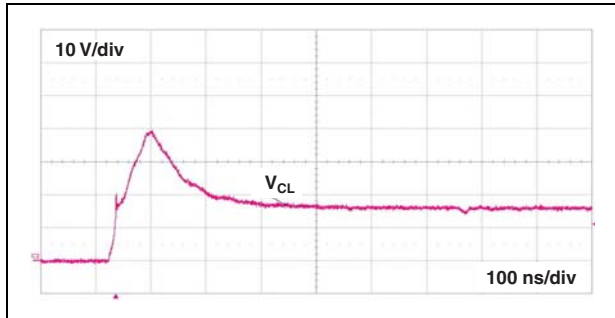


Figure 8. ESD response to IEC 61000-4-2 (-15 kV air discharge) on V_{CC} line

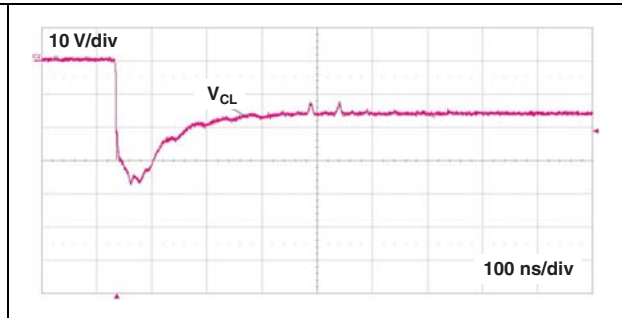


Figure 9. Digital crosstalk test setup

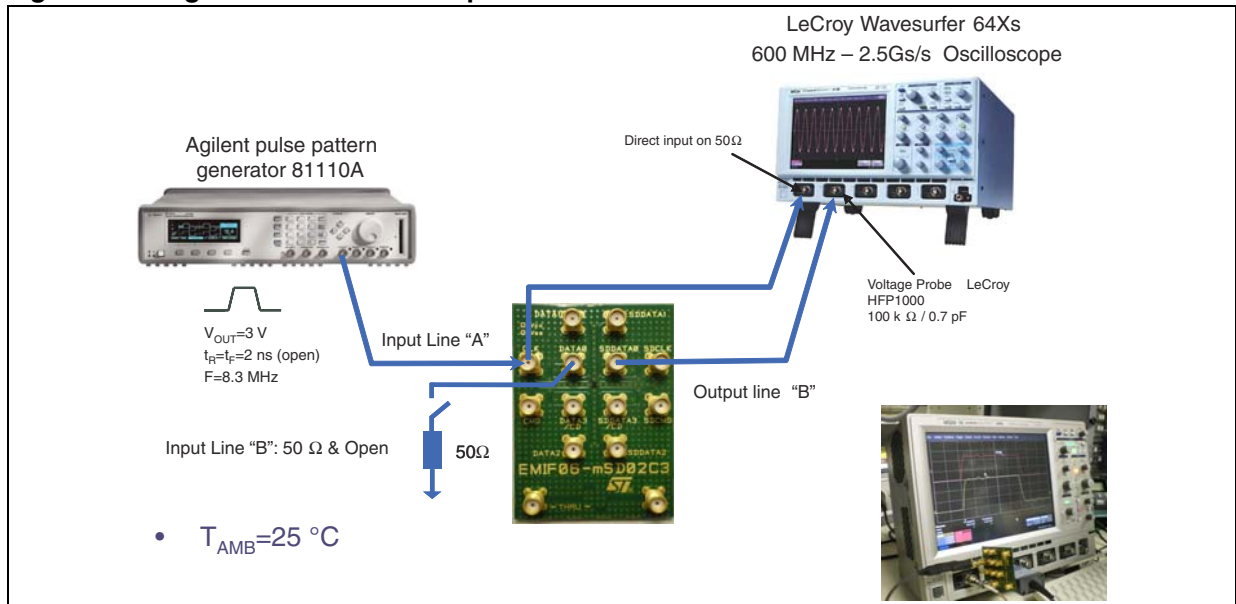


Figure 10. Digital crosstalk

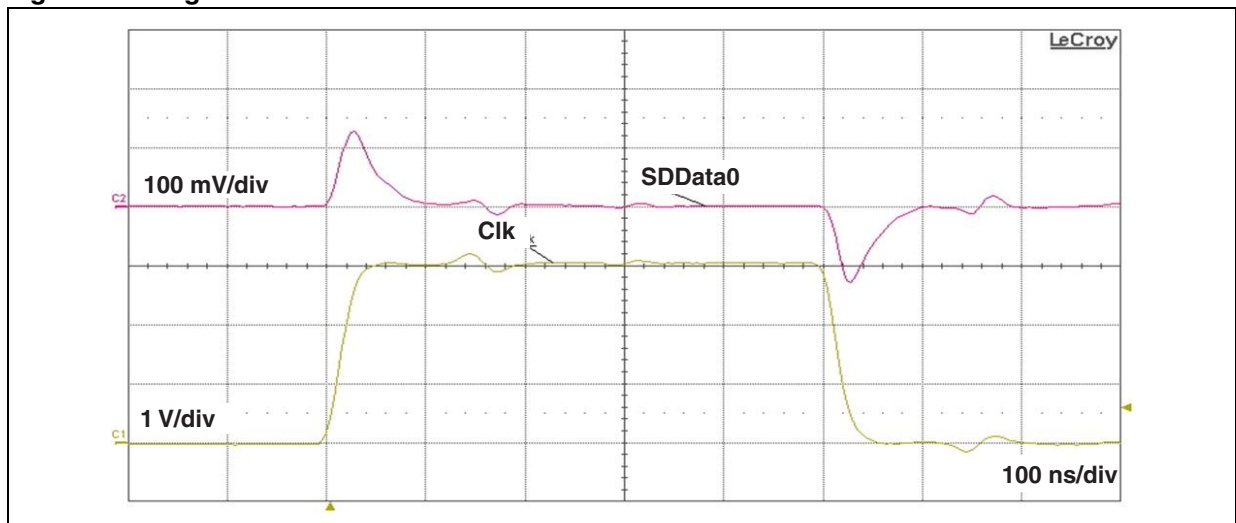


Figure 11. Step response test setup

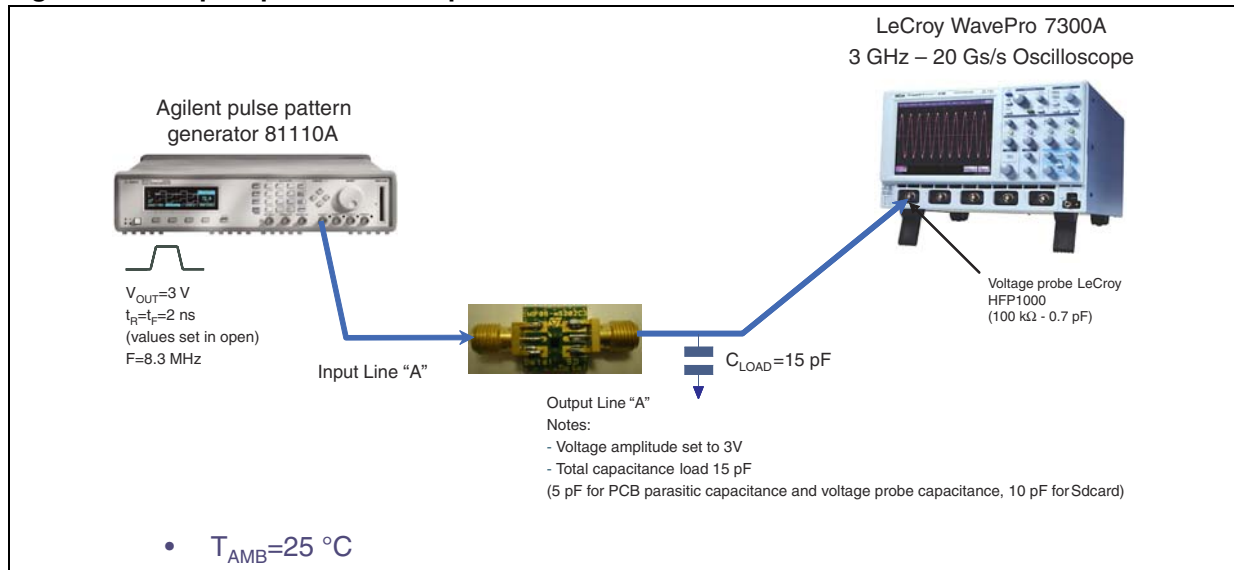


Figure 12. Step response without the filter

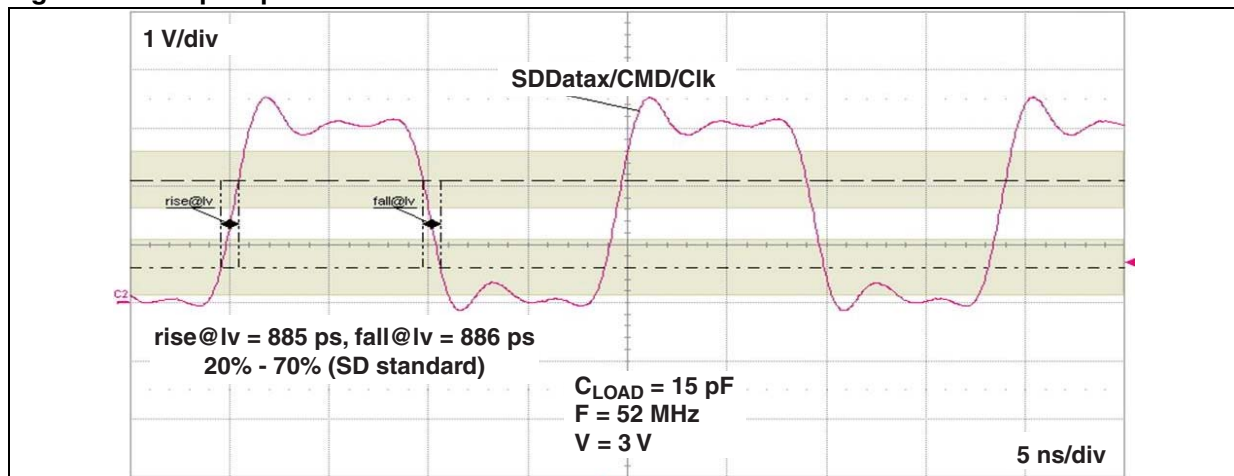


Figure 13. Step response with the filter

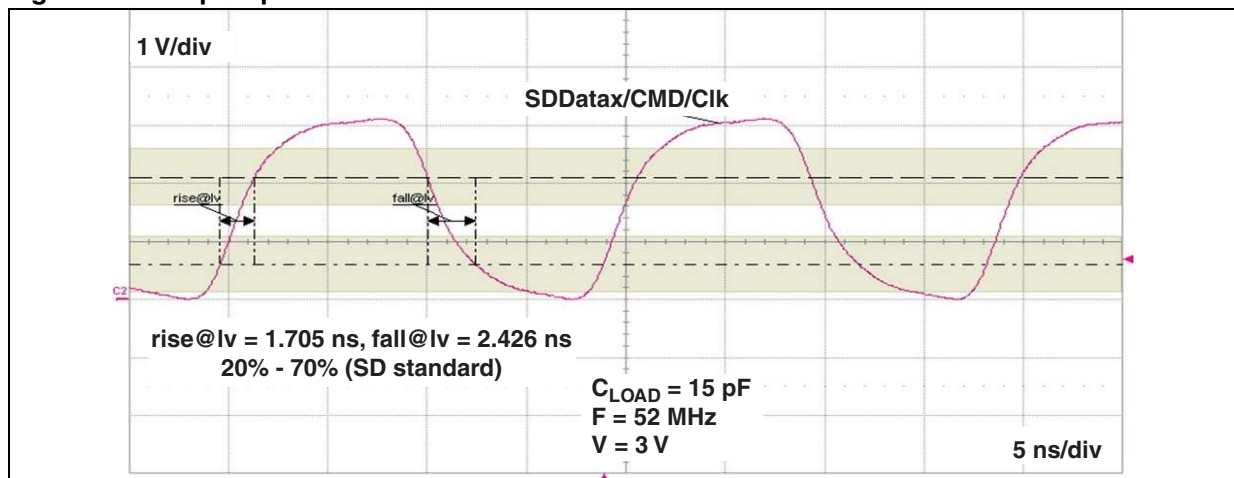
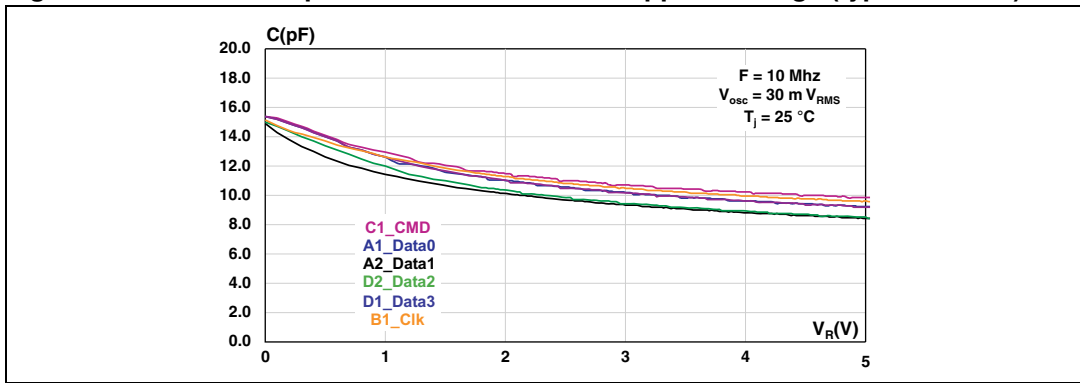
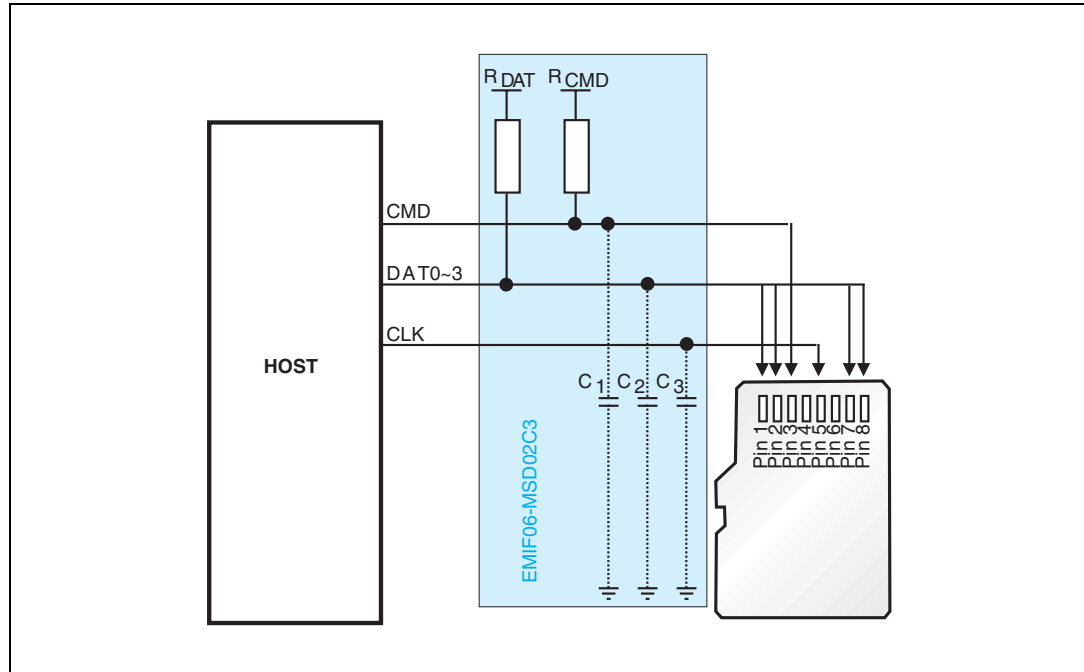


Figure 14. Junction capacitance versus reverse applied voltage (typical values)



2 Technical information

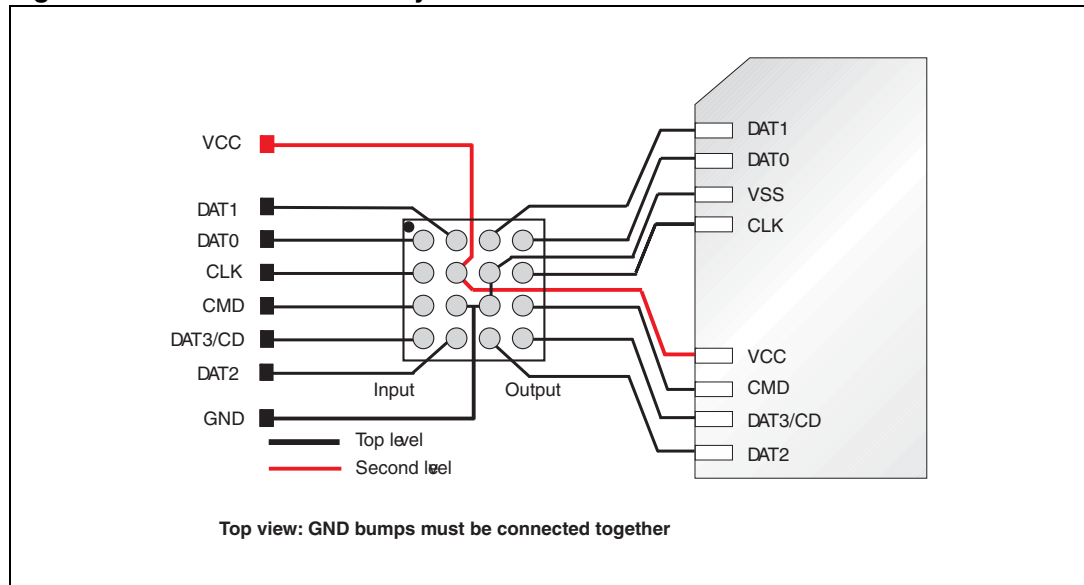
Figure 15. T-Flash recommended connection



Pull-up resistances R_{DAT} and R_{CMD} are included to prevent bus floating when no card is inserted or when all card drivers are in high impedance mode.

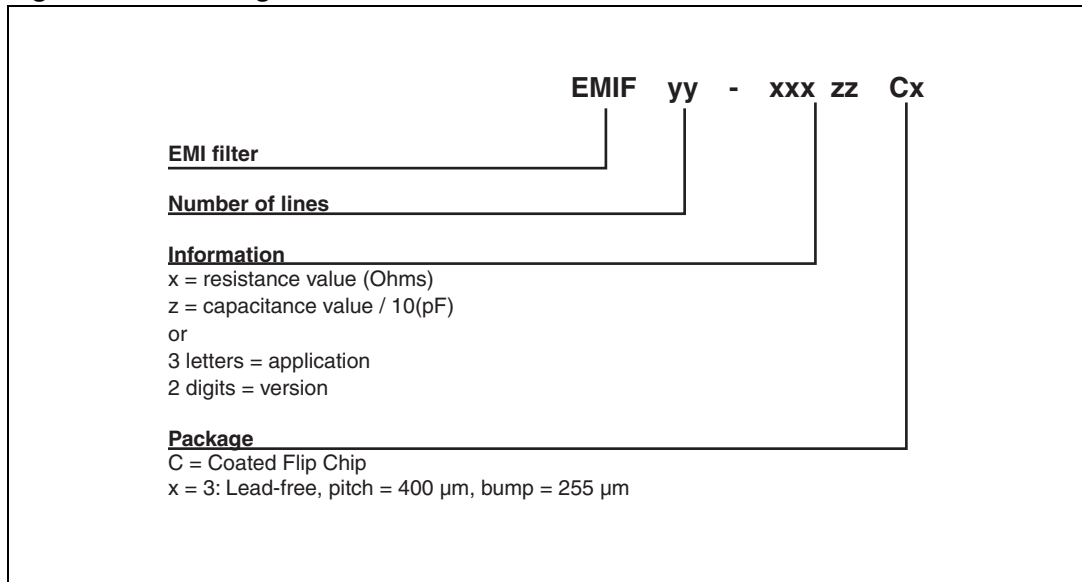
The pull-up resistors and capacitors described in the above recommendation are integrated in the EMIF06-mSD02C3. This makes the EMIF06-mSD02C3 an easy "plug and play" solution to implement secured T-Flash, mini-SD and micro-SD card terminations.

Figure 16. Recommendation layout



3 Ordering information scheme

Figure 17. Ordering information scheme



4 Package information

- Epoxy meets UL94, V0
- Lead-free package

In order to meet environmental requirements, ST offers these devices in different grades of ECOPACK® packages, depending on their level of environmental compliance. ECOPACK® specifications, grade definitions and product status are available at: www.st.com. ECOPACK® is an ST trademark.

Figure 18. Package dimensions

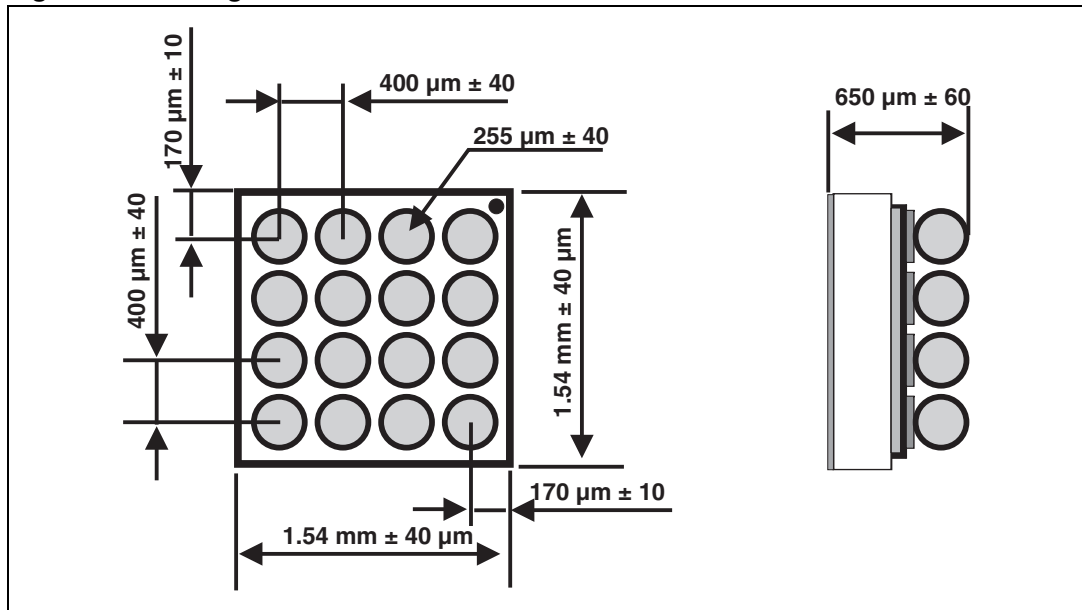


Figure 19. Footprint

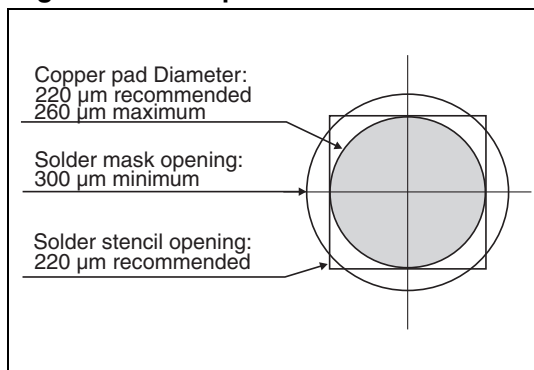


Figure 20. Marking

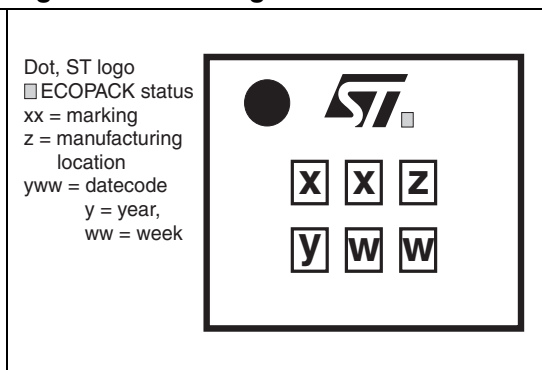
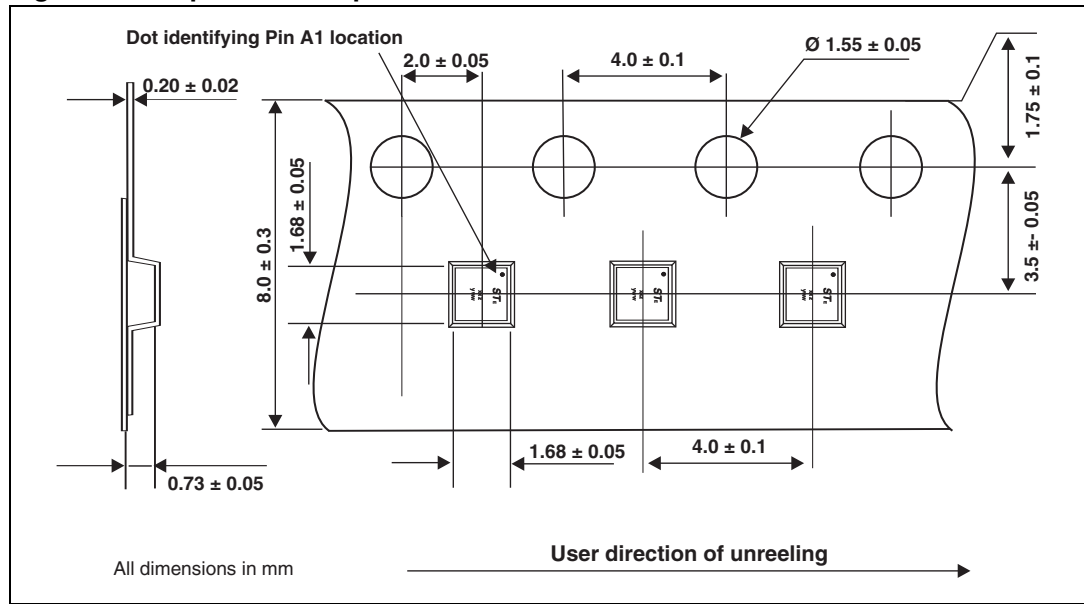


Figure 21. Tape and reel specification



5 Ordering information

Table 4. Ordering information

| Order code | Marking | Package | Weight | Base qty | Delivery mode |
|----------------|---------|-----------|--------|----------|------------------|
| EMIF06-MSD02C3 | JP | Flip Chip | 3.2 mg | 5000 | Tape and reel 7" |

Note: More information is available in the application notes:
 AN2348: "Flip Chip: Package description and recommendations for use"
 AN1751: "EMI Filters: Recommendations and measurements"

6 Revision history

Table 5. Document revision history

| Date | Revision | Changes |
|-------------|----------|--------------|
| 12-Aug-2010 | 1 | First issue. |

Please Read Carefully:

Information in this document is provided solely in connection with ST products. STMicroelectronics NV and its subsidiaries ("ST") reserve the right to make changes, corrections, modifications or improvements, to this document, and the products and services described herein at any time, without notice.

All ST products are sold pursuant to ST's terms and conditions of sale.

Purchasers are solely responsible for the choice, selection and use of the ST products and services described herein, and ST assumes no liability whatsoever relating to the choice, selection or use of the ST products and services described herein.

No license, express or implied, by estoppel or otherwise, to any intellectual property rights is granted under this document. If any part of this document refers to any third party products or services it shall not be deemed a license grant by ST for the use of such third party products or services, or any intellectual property contained therein or considered as a warranty covering the use in any manner whatsoever of such third party products or services or any intellectual property contained therein.

UNLESS OTHERWISE SET FORTH IN ST'S TERMS AND CONDITIONS OF SALE ST DISCLAIMS ANY EXPRESS OR IMPLIED WARRANTY WITH RESPECT TO THE USE AND/OR SALE OF ST PRODUCTS INCLUDING WITHOUT LIMITATION IMPLIED WARRANTIES OF MERCHANTABILITY, FITNESS FOR A PARTICULAR PURPOSE (AND THEIR EQUIVALENTS UNDER THE LAWS OF ANY JURISDICTION), OR INFRINGEMENT OF ANY PATENT, COPYRIGHT OR OTHER INTELLECTUAL PROPERTY RIGHT.

UNLESS EXPRESSLY APPROVED IN WRITING BY AN AUTHORIZED ST REPRESENTATIVE, ST PRODUCTS ARE NOT RECOMMENDED, AUTHORIZED OR WARRANTED FOR USE IN MILITARY, AIR CRAFT, SPACE, LIFE SAVING, OR LIFE SUSTAINING APPLICATIONS, NOR IN PRODUCTS OR SYSTEMS WHERE FAILURE OR MALFUNCTION MAY RESULT IN PERSONAL INJURY, DEATH, OR SEVERE PROPERTY OR ENVIRONMENTAL DAMAGE. ST PRODUCTS WHICH ARE NOT SPECIFIED AS "AUTOMOTIVE GRADE" MAY ONLY BE USED IN AUTOMOTIVE APPLICATIONS AT USER'S OWN RISK.

Resale of ST products with provisions different from the statements and/or technical features set forth in this document shall immediately void any warranty granted by ST for the ST product or service described herein and shall not create or extend in any manner whatsoever, any liability of ST.

ST and the ST logo are trademarks or registered trademarks of ST in various countries.

Information in this document supersedes and replaces all information previously supplied.

The ST logo is a registered trademark of STMicroelectronics. All other names are the property of their respective owners.

© 2010 STMicroelectronics - All rights reserved

STMicroelectronics group of companies

Australia - Belgium - Brazil - Canada - China - Czech Republic - Finland - France - Germany - Hong Kong - India - Israel - Italy - Japan - Malaysia - Malta - Morocco - Philippines - Singapore - Spain - Sweden - Switzerland - United Kingdom - United States of America

www.st.com

X-ON Electronics

Largest Supplier of Electrical and Electronic Components

Click to view similar products for [ESD Suppressors](#) category:

Click to view products by [STMicroelectronics](#) manufacturer:

Other Similar products are found below :

[82356050220](#) [D5V0M5U6V-7](#) [DSILC6-4F2](#) [EMIF02-MIC03M6](#) [ESD12VD3-TP](#) [ESD5V0J4-TP](#) [ESD7451N2T5G](#) [CPDT-5V0USP-HF](#)
[VBUS054DD-HF4-GS08](#) [VBUS54DD-HS4-G4-08](#) [EMIF03-SIM02F2](#) [EMIF07-LCD02F3](#) [SCM1293A-04SO](#) [82356240030](#) [TQP200002](#)
[VESD12A1A-HD1-GS08](#) [CPDUR5V0R-HF](#) [ESD3V3D7-TP](#) [ESDA6V1LY](#) [ESDAVLC12-1BV2](#) [EMIF06-USD05F3](#) [EMIF06-USD04F3](#)
[EMIF03-SIM03F3](#) [GMF05LC-HSF-GS08](#) [CM1263-06DE](#) [CPDQ5V0USP-HF](#) [CPDU12V0U-HF](#) [CPDU5V0USP-HF](#) [RCLAMP3324P.TNT](#)
[RCLAMP7534P.TNT](#) [TPD1E0B04DPLT](#) [TPD1E10B09QDPYRQ1](#) [MMBZ27VCL,215](#) [MMBZ33VCL,215](#) [IP4786CZ32S,118](#)
[DF2S5.6ASL,L3F](#) [DF2S5.6FS\(TPL3\)](#) [DF2S6.2ASL,L3F](#) [DF2S6.2CT,L3F](#) [DF2S6.8FS,L3M](#) [DF2S8.2FS,L3M](#) [DF5A5.6JE,LM](#)
[EMI5206MUTAG](#) [EMI6316FCTBG](#) [EMI8141MUTAG](#) [EMIF03-SIM05F3](#) [MSMP13A-M3/89A](#) [ESD5V0D5-TP](#) [ESD5Z6.0T5G](#)
[ESD7321MUT5G](#)