

Cliff Electronic Components Ltd.
 76 Homelhorpe Avenue, Homelhorpe Industrial Estate,
 Redhill, Surrey, RH1 2PF, England, UK
 Tel: 01737-771375 Fax: 01737-766012 Website: www.cliffuk.co.uk
 © 2001

THE CONTENTS OF THIS DOCUMENT MUST NOT BE COPIED OR DISCLOSED
 TO A 3rd PARTY WITHOUT WRITTEN PERMISSION OF CLIFF UK

DRAWN: D.P.J. APPROVED: R.W.T.
 FINISH: AS MOULDED / NICKEL PLATED / GOLD FLASH
 MATERIAL: NYLON 6 / BRASS / STEEL
 DRWG. No. CP300255
 TITLE: 5 PIN MALE XLR 5XNACM/PC90
 FORM: ADDRWHG

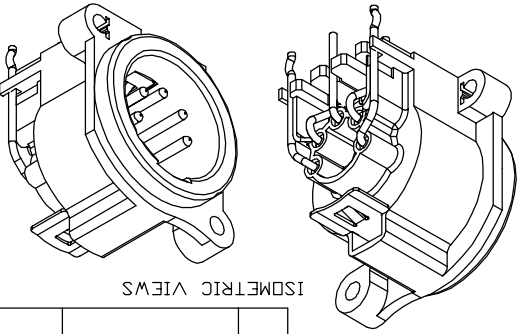
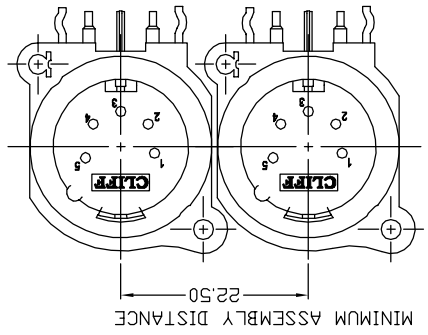
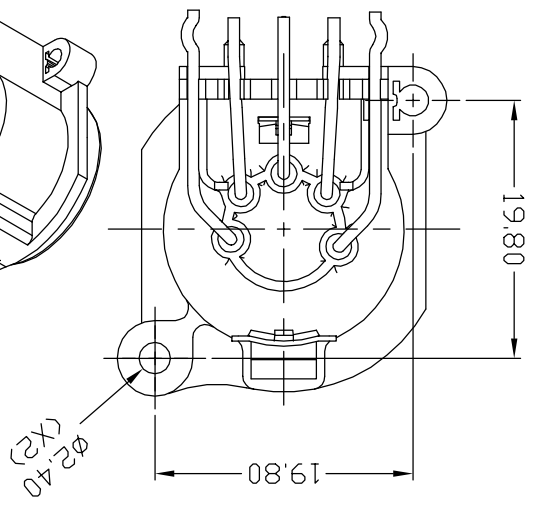
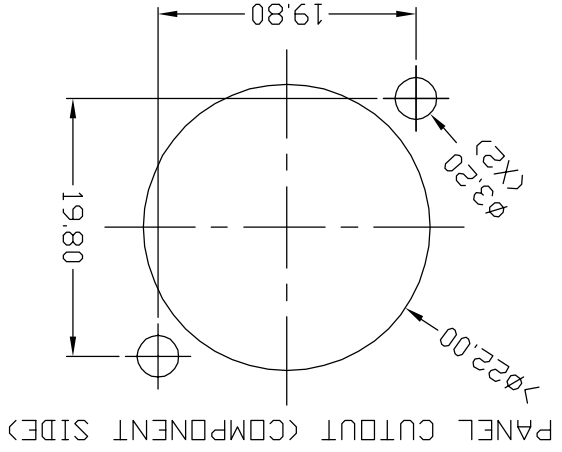
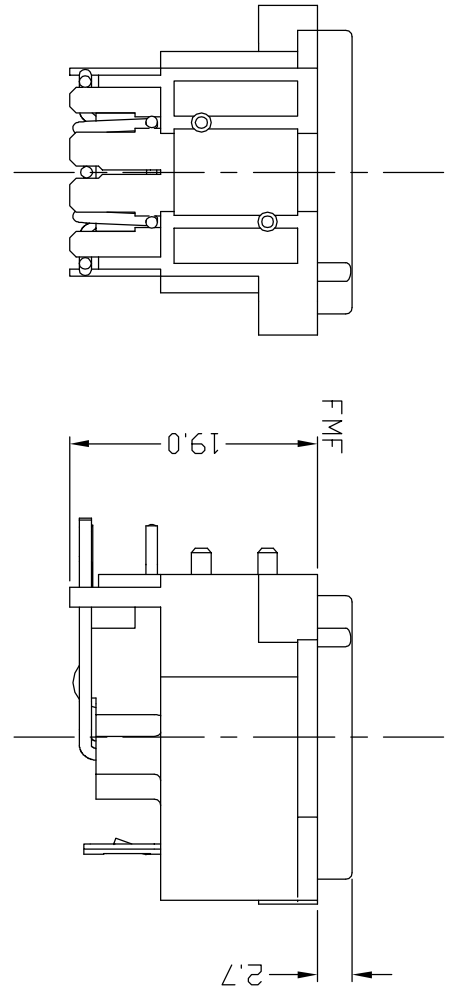
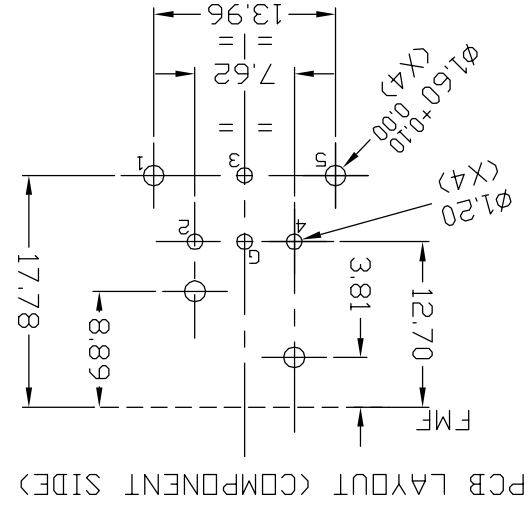
DIMENSIONS IN MILLIMETERS UNLESS OTHERWISE STATED. WORK TO DIMENSIONS. REMOVE ALL BURRS. IF IN DOUBT ASK
 3rd ANGLE PROJECTION: DO NOT SCALE

1ST DRAWN : S/10/00

TOLERANCE
 NO DEC. PLACE ± 0.50
 1 DEC. PLACE ± 0.20
 2 DEC. PLACE ± 0.10
 HOLE Ø ± 0.10
 ANGLES ± 1/2°
 UNLESS
 OTHERWISE STATED

ROHS COMPLIANT

SEE DRAWING 224-A FOR ASSEMBLY DETAILS.



ISS	AMEND	DATE
1	WAS 224-A	12/04/01
2	ADD SEE 224-A NOTE	28/07/16

X-ON Electronics

Largest Supplier of Electrical and Electronic Components

Click to view similar products for [XLR Connectors](#) category:

Click to view products by [Cliff](#) manufacturer:

Other Similar products are found below :

[707-0300](#) [8800235](#) [91101181024](#) [91201231](#) [91214571](#) [A3F01](#) [A3M01](#) [QGP3F](#) [HA16PRQ-3SE\(71\)](#) [AA3FL](#) [AAA4FWZ](#) [AAA4MWZ](#)
[AC3-MIC](#) [AC4-MIC](#) [AC5FPZB](#) [AC6AFDZV](#) [AC7FDZB](#) [D4FB](#) [DE4MW](#) [DHNF-BAG](#) [E3MBAUSW](#) [NA2FP-UW](#) [NA3MP-UW](#)
[NC3FBHR1-0](#) [NC3FD-H-0](#) [NC3FK-V](#) [NC3FX-1](#) [NC3FX-Y-B](#) [NC3MDM3-H-B](#) [NC3MK-V](#) [NC3MXY](#) [NC4FD-LX-0](#) [NC5FX-HD-B](#)
[NC6FSXX-BAG](#) [NC6MD-LX-BAG](#) [NC6MSX-BAG](#) [RT3FC-B-W-D](#) [91210071096](#) [SL05](#) [99.265.0400.0](#) [A3F04](#) [AC3FG](#) [AC3MMG](#) [AC4-FCP](#) [AC4FPZ](#) [AQG4F](#) [2504FP](#) [30-498-2](#) [R6MZ](#) [CXX-15](#)