

AC axial fan

S series



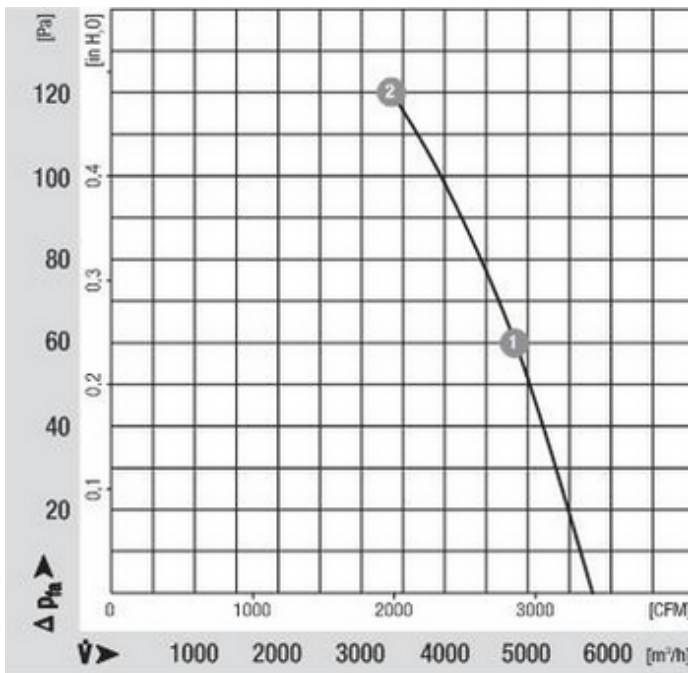
- **Design:** Basket guard grille
- **Impeller material:** Plastic, black
- **Motor material:** Rotor: Coated in black

Nominal data		Voltage	Frequency	Air flow	Speed at highest load	Max. power consumption at highest load	Max. current draw at highest load	Capacitor capacity	Operative range 50Hz	Ambient temperature 50Hz	Weight
Type	Motor	1- VAC	Hz	m ³ /h	1/min	W	A	uF/V	Pa	°C	kg
S4E450AU0301	M4E094EA	230	50	5750	1300	350	1.55	8.0 / 400	0 .. 120	-40 .. 55	6.0

Subject to modification

Characteristic: Pressure over air flow at 50Hz

n [1/min] P₁ [W] I [A] LpA [dBA] ntL [%]

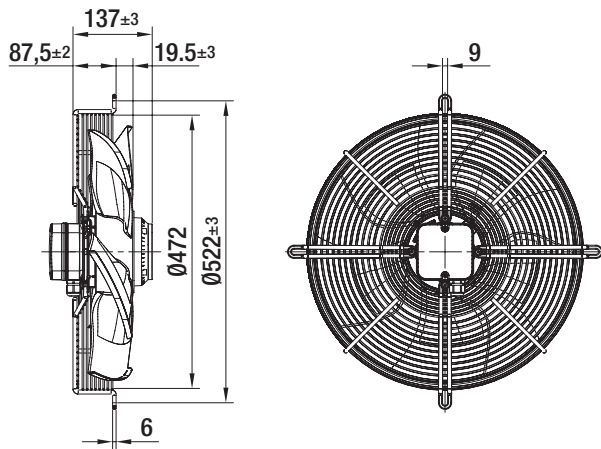


1	1350	310	1,35	68	--
2	1300	350	1,55	65	--

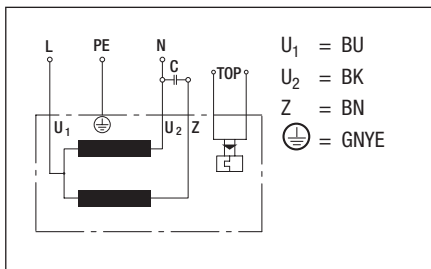
AC axial fan

S series

Specific drawing



Connection illustration



Technical description

- **Design:** Basket guard grille
- **Motor material:** Rotor: Coated in black
- **Direction of rotation:** Counter-clockwise, seen on rotor
- **Number of impeller blades:** 5
- **Cable layout:** Lateral via terminal strip
- **Guideline:** CE
- **Insulation class:** "F"
- **System of protection:** IP 54
- **Impeller material:** Plastic, black
- **Bearings:** Maintenance-free ball bearings
- **Direction of flow:** "V"
- **Electrical connection:** Screwed cable gland
- **Screw depth:** Max. 10 mm
- **Operating mode:** Continuous operation (S1)
- **Protection class:** I
- **Motor protection:** internal TOP

Contact

ebm-papst Mulfingen GmbH & Co. KG
Bachmühle 2
D-74673 Mulfingen
Phone +49 (0) 79 38 / 81-0
Fax +49 (0) 79 38 / 81-110
info1@de.ebmpapst.com
www.ebmpapst.com

X-ON Electronics

Largest Supplier of Electrical and Electronic Components

Click to view similar products for [AC Fans](#) category:

Click to view products by [ebm papst](#) manufacturer:

Other Similar products are found below :

[M2E068-DF13-79](#) [F1238H24B-FHR](#) [8850A](#) [G9225S05B2-FSR](#) [A2D200-AA04-41](#) [A2E165-AA17-01](#) [R2D140-AB02-14](#) [R4D310-AS18-01](#)
[R4D400-AD22-06](#) [R4E180-AS11-09](#) [AD0912HB-A7BGL](#) [1500-FAN-01](#) [25.001.1856.0](#) [25.320.1153.1](#) [25.320.1353.1](#) [25.320.4753.1](#)
[25.320.5453.1](#) [25.330.1353.1](#) [25.330.4853.1](#) [25.330.5153.1](#) [25.330.5353.1](#) [25.340.1053.1](#) [25.350.5253.0](#) [25.600.4053.0](#) [272DL-2LP11-000](#)
[S2E250-AL06-70](#) [A2D210-AB10-05](#) [A2D240-AA02-02](#) [A2D250-AE22-06](#) [A2E170-AF23-01](#) [F1238S24BT-FSR](#) [25.000.1856.0](#)
[25.000.2056.0](#) [25.010.1856.0](#) [25.220.3953.1](#) [25.332.2453.1](#) [25.340.0453.1](#) [25.345.5353.0](#) [25.352.1853.0](#) [281DS-2LP11-000B](#) [281DY-](#)
[1LP14-000B](#) [298DM-2LP11-000](#) [298DS-2LP11-000A](#) [R2S150-AD08-09](#) [344DY-1LP11-000](#) [D2E146-CD51-09](#) [39.703.0253.0](#)
[USTF1203224VHW](#) [3915100996-SA3](#) [3G2C7MC224](#)