

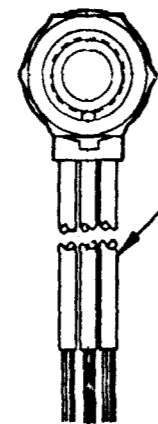
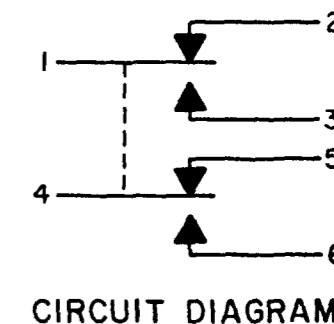
MICRO SWITCH

FREEPORT ILLINOIS U S A
A DIVISION OF HONEYWELL

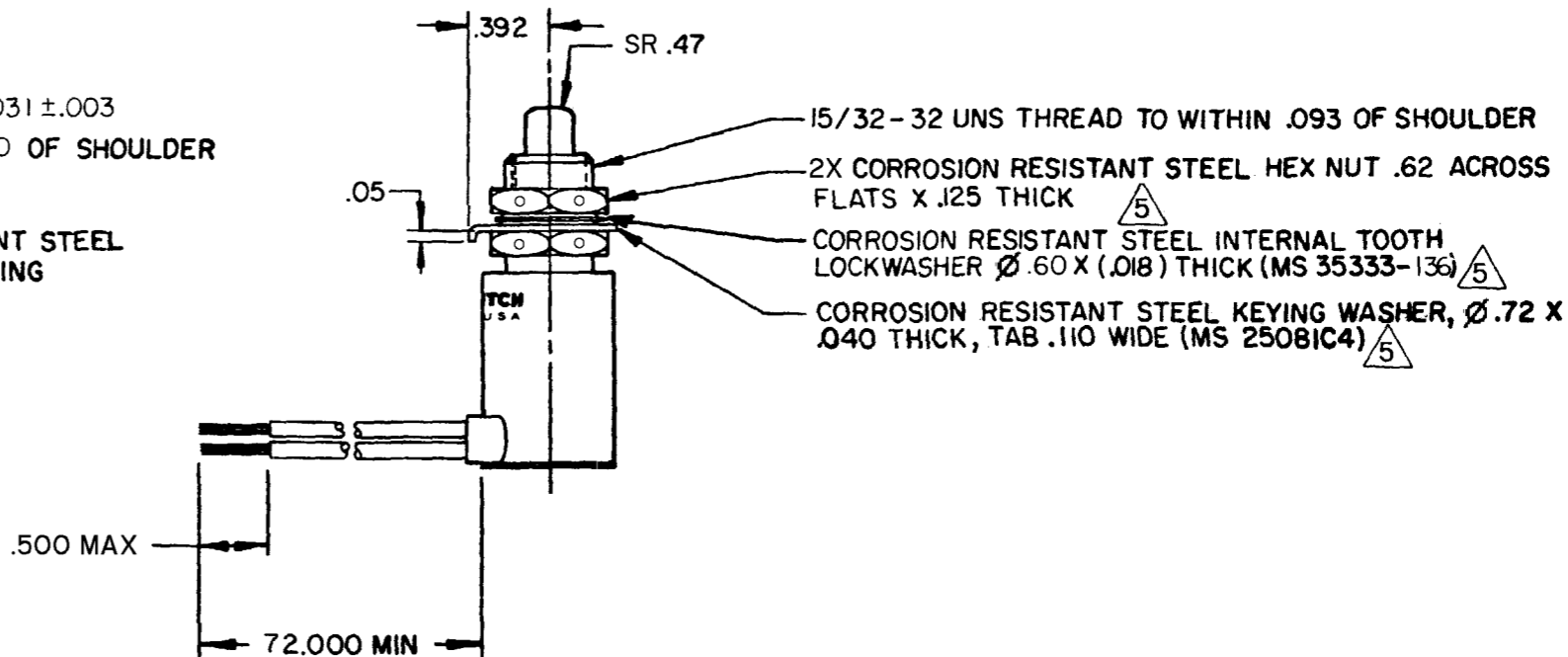
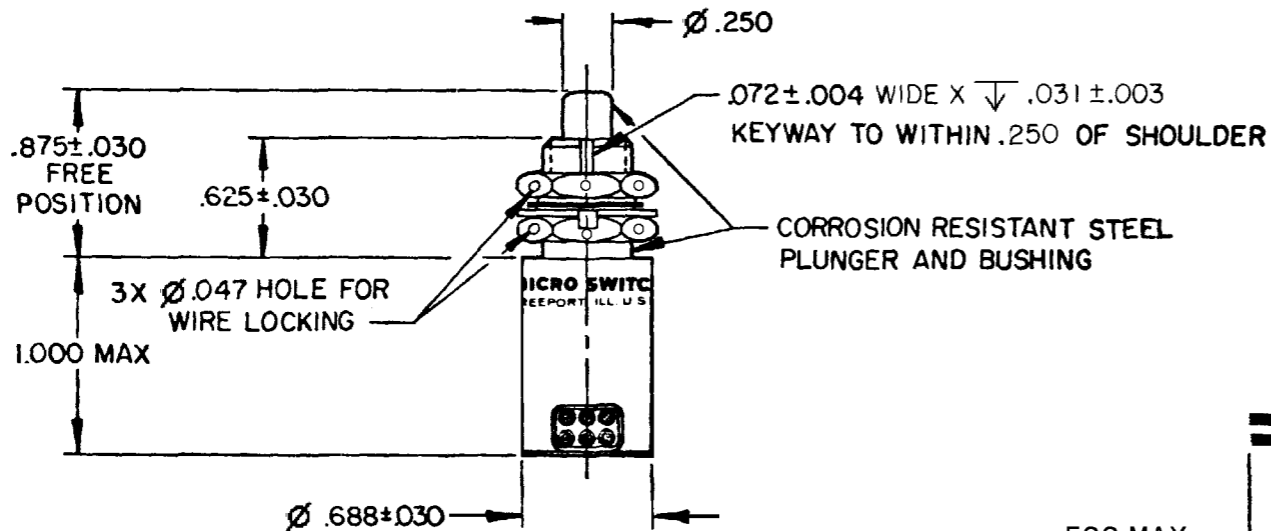
FED. MFG. CODE 91929

SWITCH - ENCLOSED

CATALOG LISTING
602EN16-6



6X NO. 20 WIRE LEAD PRE MIL-W-22759/11
MARKED WITH CIRCUIT IDENTIFICATION AND WIRE
GAGE (1-20, 2-20, ETC) PER MIL-W-5088



NOTES

- 1 - CORROSION RESISTANT STEEL ENCLOSURE
- 2 - CIRCUIT DIAGRAM, CAT. LIST., FED. MFG. CODE AND DATE CODE ARE PERMANENTLY MARKED ON SIDE OF HOUSING
- 3 - SWITCH SEALED PER MIL-PRF-8805 SYMBOL 4
- 4 - COINCIDENCE OF OPERATING AND RELEASING POINTS: .010 OF PLUNGER TRAVEL
- 5 - HARDWARE MAY BE PACKAGED UNASSEMBLED PER MIL-PRF-8805

THIS DRAWING COVERS A PROPRIETARY ITEM AND IS THE PROPERTY OF MICRO SWITCH, A DIVISION OF HONEYWELL. THIS DRAWING IS NOT TO BE COPIED OR USED WITHOUT THE APPROVAL OF MICRO SWITCH.

THIRD ANGLE PROJECTION

SCALE FULL

DO NOT SCALE PRINT

TOLERANCES
APPLY TO DESIGN UNITS. CONVERSIONS ARE ONLY FOR REFERENCE UNLESS NOTED. TOLERANCES ARE ±

DIM.	TOL.	DIM.	TOL.
mm	mm/in	in	mm/in
NO PLACES	X	1/64	
ONE PLACES	X, X	0.0010	0.01/0.001
TWO PLACES	X, XX	0.0005	0.0001/0.001
THREE PLACES	X, XXX	0.0002	0.00005/0.001
ANGLES			

DESIGN UNITS SI METRIC US CUSTOMARY

RAW MATERIAL - COMMERCIAL STANDARD
MICRO SWITCH STANDARDS APPLY
DIMENSIONS ARE TO BE MET BEFORE PROTECTIVE COATINGS ARE APPLIED

WEIGHT 6.2 OZ MAX

ANSI Y14.5M-1982 APPLIES

CHARACTERISTICS	ELECTRICAL DATA
OPERATING FORCE ----- 6-12 LB	CONTACT ARRANGEMENT
FULL OVERTRAVEL FORCE ----- 30 LB MAX	2X SPDT
RELEASE FORCE ----- 4 LB MIN	LOAD
PRETRAVEL ----- .040 MAX	28 VDC
DIFFERENTIAL TRAVEL ----- .020 MAX	SEA LEVEL 50,000 FT.
OVERTRAVEL ----- .125 MIN	RES 7 7
	IND 4 2.5
	MOTOR 4

CATALOG LISTING
602EN16-6
PAGE 1 OF 1

M

DRAWING NUMBER

ISSUE 17

REVISIONS

REV	NO	DATE	BY	CHK
A	C044351			
	D J W	5 MAR 80		
B	C047573			
	J A P	7 AUG 80		
C	C049806			
	K A G	28 SEP 81		
D	C057370			
	J A P	14 MAY 85		
E	C094274			
	D L M	17 MAR 99		
F	201750			
	C S L	16 NOV 00		
G	0038166			
	N R	17 MAR 08		

RASTER
FO-5285 1-A
DRAWN

REPLACES X33967
RELEASE NO. SR-1915
CHECK 17MAR08
CMH
CHECK 7 MAR 83
CEB
80
D J W 15 MAR 80

X-ON Electronics

Largest Supplier of Electrical and Electronic Components

Click to view similar products for [Basic / Snap Action Switches](#) category:

Click to view products by [Honeywell](#) manufacturer:

Other Similar products are found below :

[83228001](#) [01.098.1358.1](#) [602EN1-6B](#) [602EN532](#) [602EN535-RB](#) [602HE5-RB1](#) [604HE162](#) [604HE223-6B](#) [624HE17-RB](#) [6HM89](#) [6PA78-JM](#)
[6SE1](#) [6SX1-H58](#) [70500840](#) [MBD5B1](#) [MBH2731](#) [73-316-0012](#) [79211759](#) [79211923](#) [79218589](#) [7AS12](#) [ML-1155](#) [ML-1376](#) [831010C3.0](#)
[831060C3.TL](#) [831090C2.EL](#) [83131904](#) [84212012](#) [8AS239](#) [8HM73-3](#) [903VB1-PG](#) [914CE1-6G](#) [PL-100](#) [11SM1077-H4](#) [11SM1077-H58](#)
[11SM1-TN107](#) [11SM405](#) [11SM703-T](#) [11SM8423-H2](#) [11SX37-T](#) [11SX48-H58](#) [11SX55-H58](#) [11SM2442-T](#) [11SM76-T](#) [11SM77-H58](#)
[11SM77-T](#) [11SM863-T](#) [11SM866](#) [11SX47-H58](#) [A7CN-1M-1-LEFT](#)