

MS5805-02BA01 Miniature Altimeter Module



- High resolution module, 20 cm
- Fast conversion down to 0.5 ms
- Low power, 0.6 μA (standby < 0.15 μA at 25°C)
- Integrated digital pressure sensor (24 bit $\Delta\Sigma$ ADC)
- Supply voltage 1.8 to 3.6 V
- Operating range: 300 to 1200 mbar, -40 to +85 °C
- Extended pressure range: 10 to 2000 mbar
- I²C interface
- No external components (Internal oscillator)
- Excellent long term stability
- Sealing designed for 2.5 x 1mm O-ring

DESCRIPTION

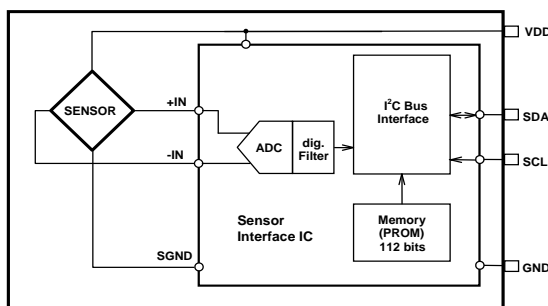
The MS5805-02BA is a new generation of high-resolution altimeter sensors from MEAS Switzerland with I²C bus interface. It is optimized for altimeters and variometers with an altitude resolution of 20 cm. The sensor module includes a high-linearity pressure sensor and an ultra low power 24 bit $\Delta\Sigma$ ADC with internal factory-calibrated coefficients. It provides a precise digital 24 Bit pressure and temperature value and different operation modes that allow the user to optimize for conversion speed and current consumption. A high-resolution temperature output allows the implementation of an altimeter/thermometer function without any additional sensor. The MS5805-02BA can be interfaced to virtually any microcontroller. The communication protocol is simple, without the need of programming internal registers in the device. This new sensor module generation is based on leading MEMS technology and latest benefits from MEAS Switzerland proven experience and know-how in high volume manufacturing of altimeter modules, which have been widely used for over a decade. The sensing principle employed leads to very low hysteresis and high stability of both pressure and temperature signal.

FEATURES

FIELD OF APPLICATION

Mobile altimeter / barometer systems
Bike computers
Adventure or multi-mode watches
Variometers
Dataloggers

FUNCTIONAL BLOCK DIAGRAM



TECHNICAL DATA

| Sensor Performances ($V_{DD} = 3\text{ V}$) | | | | |
|--|---|---------|------|---------|
| Pressure | Min | Typ | Max | Unit |
| Range | 10 | | 2000 | mbar |
| ADC | 24 | | | bit |
| Resolution (1) | 0.35 / 0.19 / 0.11 / 0.06 / 0.03 / 0.02 | | | mbar |
| Accuracy 25°C, 750 to 1100 mbar | -2 | | +2 | mbar |
| Accuracy -20°C to +85°C, 300 to 1200 mbar (2) | -4 | | +4 | mbar |
| Response time | 0.5 / 1.1 / 2.1 / 4.1 / 8.22 / 16.44 | | | ms |
| Long term stability | | ± 1 | | mbar/yr |
| Temperature | Min | Typ | Max | Unit |
| Range | -40 | | +85 | °C |
| Resolution | <0.01 | | | °C |
| Accuracy | -1 | | +1 | °C |
| Notes: (1) Oversampling Ratio: 256 / 512 / 1024 / 2048 / 4096 / 8192 | | | | |
| (2) With autozero at one pressure point | | | | |

MS5805-02BA01 Miniature Altimeter Module

PERFORMANCE SPECIFICATIONS

ABSOLUTE MAXIMUM RATINGS

| Parameter | Symbol | Conditions | Min. | Typ. | Max | Unit |
|-------------------------------|-----------|----------------------|------|------|------|------|
| Supply voltage | V_{DD} | | -0.3 | | +3.6 | V |
| Storage temperature | T_S | | -20 | | +85 | °C |
| Overpressure | P_{max} | | | | 5 | bar |
| Maximum Soldering Temperature | T_{max} | 40 sec max | | | 250 | °C |
| ESD rating | | Human Body Model | -2 | | +2 | kV |
| Latch up | | JEDEC standard No 78 | -100 | | +100 | mA |

ELECTRICAL CHARACTERISTICS

| Parameter | Symbol | Conditions | Min. | Typ. | Max | Unit |
|---------------------------------------|----------|-----------------------------|------|-------|-----|---------|
| Operating Supply voltage | V_{DD} | | 1.8 | 3.0 | 3.6 | V |
| Operating Temperature | T | | -40 | +25 | +85 | °C |
| Supply current (1 sample per sec.) | I_{DD} | OSR | 8192 | 20.09 | | μ A |
| | | | 4096 | 10.05 | | |
| | | | 2048 | 5.02 | | |
| | | | 1024 | 2.51 | | |
| | | | 512 | 1.26 | | |
| 256 | 0.63 | | | | | |
| Peak supply current | | during conversion | | 1.25 | | mA |
| Standby supply current | | at 25°C ($V_{DD} = 3.0$ V) | | 0.01 | 0.1 | μ A |
| VDD Capacitor | | From VDD to GND | 100 | 470 | | nF |

ANALOG DIGITAL CONVERTER (ADC)

| Parameter | Symbol | Conditions | Min. | Typ. | Max | Unit |
|-----------------|--------|------------|------|-------|-----|------|
| Output Word | | | | 24 | | bit |
| Conversion time | t_c | OSR | 8192 | 16.44 | | ms |
| | | | 4096 | 8.22 | | |
| | | | 2048 | 4.13 | | |
| | | | 1024 | 2.08 | | |
| | | | 512 | 1.06 | | |
| 256 | 0.54 | | | | | |

MS5805-02BA01 Miniature Altimeter Module

PERFORMANCE SPECIFICATIONS (CONTINUED)

PRESSURE OUTPUT CHARACTERISTICS ($V_{DD} = 3\text{ V}$, $T = 25^\circ\text{C}$ UNLESS OTHERWISE NOTED)

| Parameter | Conditions | Min. | Typ. | Max | Unit |
|---|--|----------|-----------|----------|---------|
| Operating Pressure Range | P_{range} Full Accuracy | 300 | | 1200 | mbar |
| Extended Pressure Range | P_{ext} Linear Range of ADC | 10 | | 2000 | mbar |
| Absolute Accuracy, no autozero | at 25°C , 750..1100 mbar | -2 | | +2 | mbar |
| Absolute Accuracy, autozero at one pressure point | 300..1200 mbar at 25°C 300..1200 mbar, $-20..85^\circ\text{C}$ | -2 -4 | | +2 +4 | mbar |
| Maximum error with supply voltage | $V_{DD} = 1.8\text{ V} \dots 3.6\text{ V}$ | | ± 2.5 | | mbar |
| Long-term stability | | | ± 1 | | mbar/yr |
| Resolution RMS | OSR | 8192 | 0.02 | | mbar |
| | | 4096 | 0.03 | | |
| | | 2048 | 0.06 | | |
| | | 1024 | 0.11 | | |
| | | 512 | 0.19 | | |
| | | 256 | 0.35 | | |
| Reflow soldering impact | IPC/JEDEC J-STD-020C (See application note AN808 on http://meas-spec.com) | | -1.5 | | mbar |
| Recovering time after reflow (1) | | | 5 | | days |

(1) Time to recover at least 66% of the reflow impact.

TEMPERATURE OUTPUT CHARACTERISTICS ($V_{DD} = 3\text{ V}$, $T = 25^\circ\text{C}$ UNLESS OTHERWISE NOTED)

| Parameter | Conditions | Min. | Typ. | Max | Unit |
|---|--|----------|-----------|----------|------------------|
| Absolute Accuracy | at 25°C $-20..85^\circ\text{C}$ | -1 -2 | | +1 +2 | $^\circ\text{C}$ |
| Maximum error with supply voltage | $V_{DD} = 1.8\text{ V} \dots 3.6\text{ V}$ | | ± 0.3 | | $^\circ\text{C}$ |
| Resolution RMS (to confirm with measured values) | OSR | 8192 | 0.002 | | $^\circ\text{C}$ |
| | | 4096 | 0.003 | | |
| | | 2048 | 0.004 | | |
| | | 1024 | 0.006 | | |
| | | 512 | 0.009 | | |
| | | 256 | 0.012 | | |

MS5805-02BA01 Miniature Altimeter Module

PERFORMANCE SPECIFICATIONS (CONTINUED)

DIGITAL INPUTS (SDA, SCL)

| Parameter | Symbol | Conditions | Min. | Typ. | Max | Unit |
|-----------------------|--|------------|--------------|------|---------------|------|
| Serial data clock | SCL | | | | 400 | kHz |
| Input high voltage | V_{IH} | | 80% V_{DD} | | 100% V_{DD} | V |
| Input low voltage | V_{IL} | | 0% V_{DD} | | 20% V_{DD} | V |
| Input leakage current | $I_{leak25^{\circ}C}$ $I_{leak85^{\circ}C}$ | at 25°C | | | 0.1 | μA |

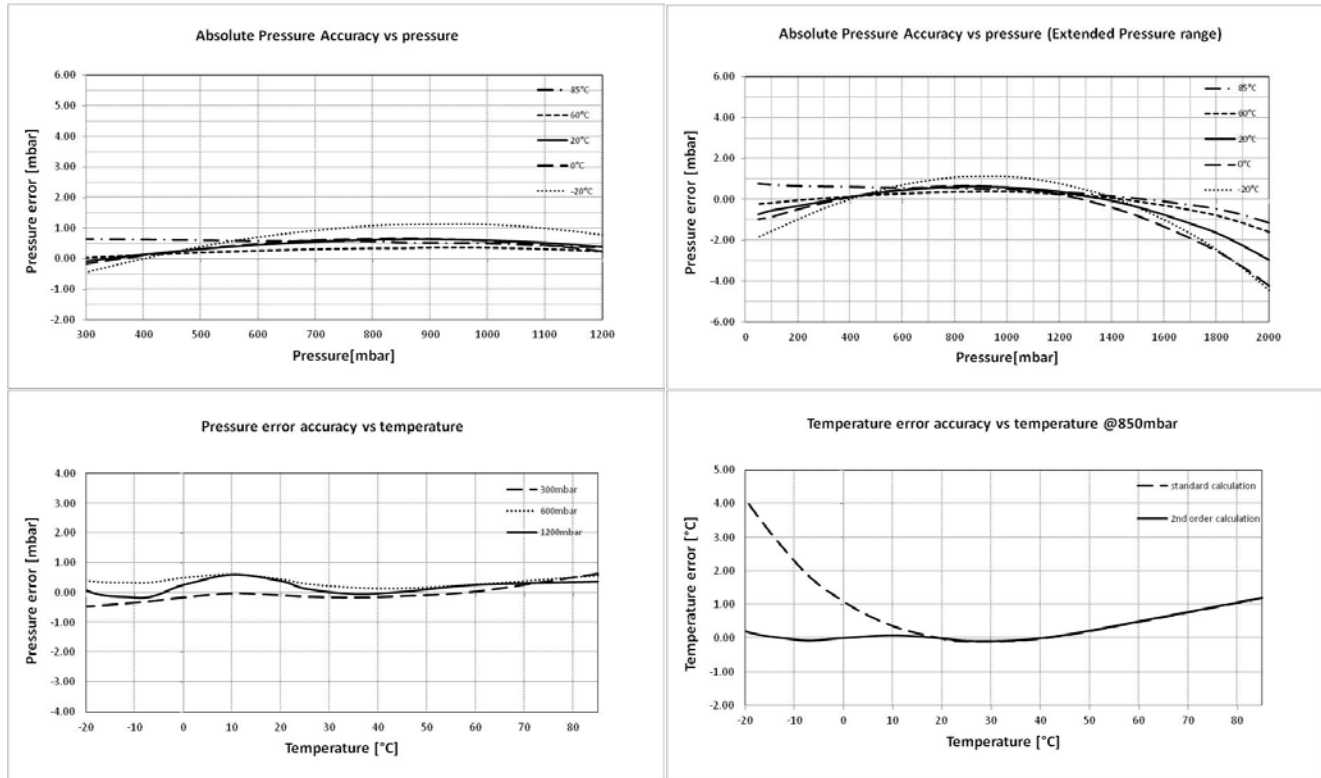
DIGITAL OUTPUTS (I²C, DOUT)

| Parameter | Symbol | Conditions | Min. | Typ. | Max | Unit |
|---------------------|------------|-------------------------------|--------------|------|---------------|------|
| Output high voltage | V_{OH} | $I_{source} = 0.6 \text{ mA}$ | 80% V_{DD} | | 100% V_{DD} | V |
| Output low voltage | V_{OL} | $I_{sink} = 0.6 \text{ mA}$ | 0% V_{DD} | | 20% V_{DD} | V |
| Load capacitance | C_{LOAD} | | | 16 | | pF |

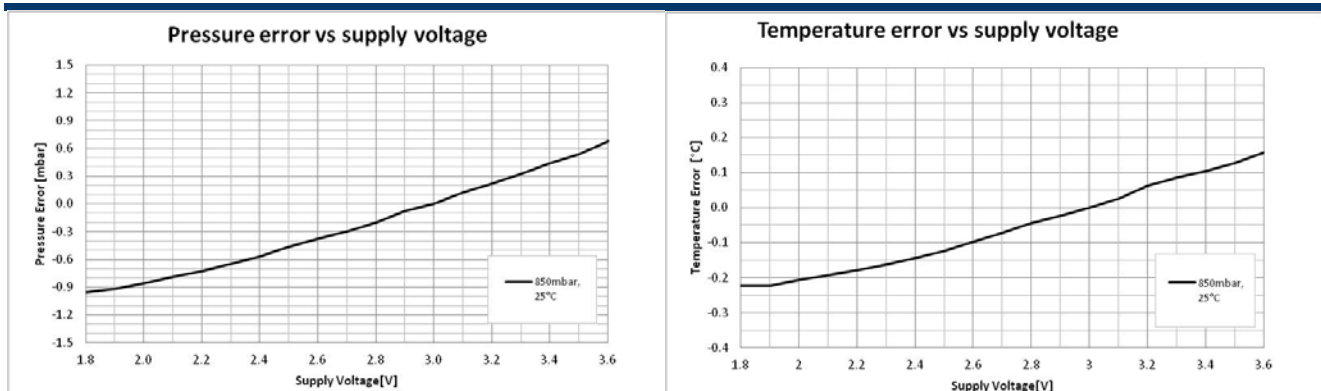
MS5805-02BA01 Miniature Altimeter Module

TYPICAL PERFORMANCE CHARACTERISTICS

PRESSURE AND TEMPERATURE ERROR VS PRESSURE AND TEMPERATURE (Typical values)



PRESSURE AND TEMPERATURE ERROR VS POWER SUPPLY (Typical values)



MS5805-02BA01 Miniature Altimeter Module

FUNCTIONAL DESCRIPTION

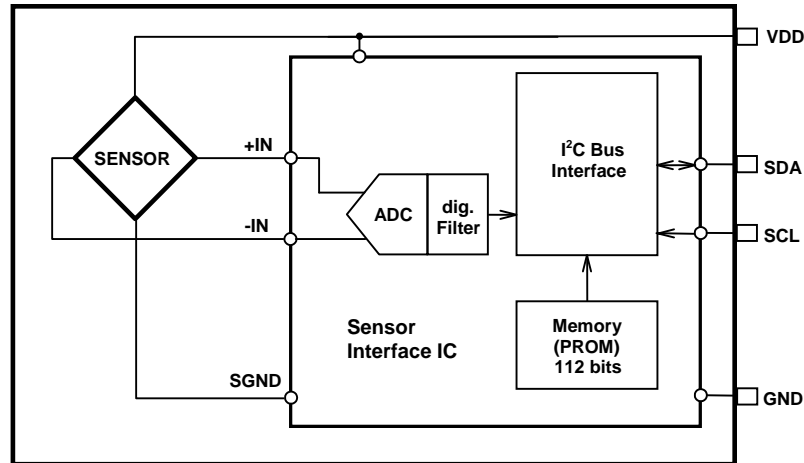


Figure 1: Block diagram of MS5805-02BA

GENERAL

The MS5805-02BA consists of a piezo-resistive sensor and a sensor interface integrated circuit. The main function of the MS5805-02BA is to convert the uncompensated analogue output voltage from the piezo-resistive pressure sensor to a 24-bit digital value, as well as providing a 24-bit digital value for the temperature of the sensor.

FACTORY CALIBRATION

Every module is individually factory calibrated at two temperatures and two pressures. As a result, 6 coefficients necessary to compensate for process variations and temperature variations are calculated and stored in the 112-bit PROM of each module. These bits (partitioned into 6 coefficients) must be read by the microcontroller software and used in the program converting D1 and D2 into compensated pressure and temperature values.

COMMUNICATION INTERFACE

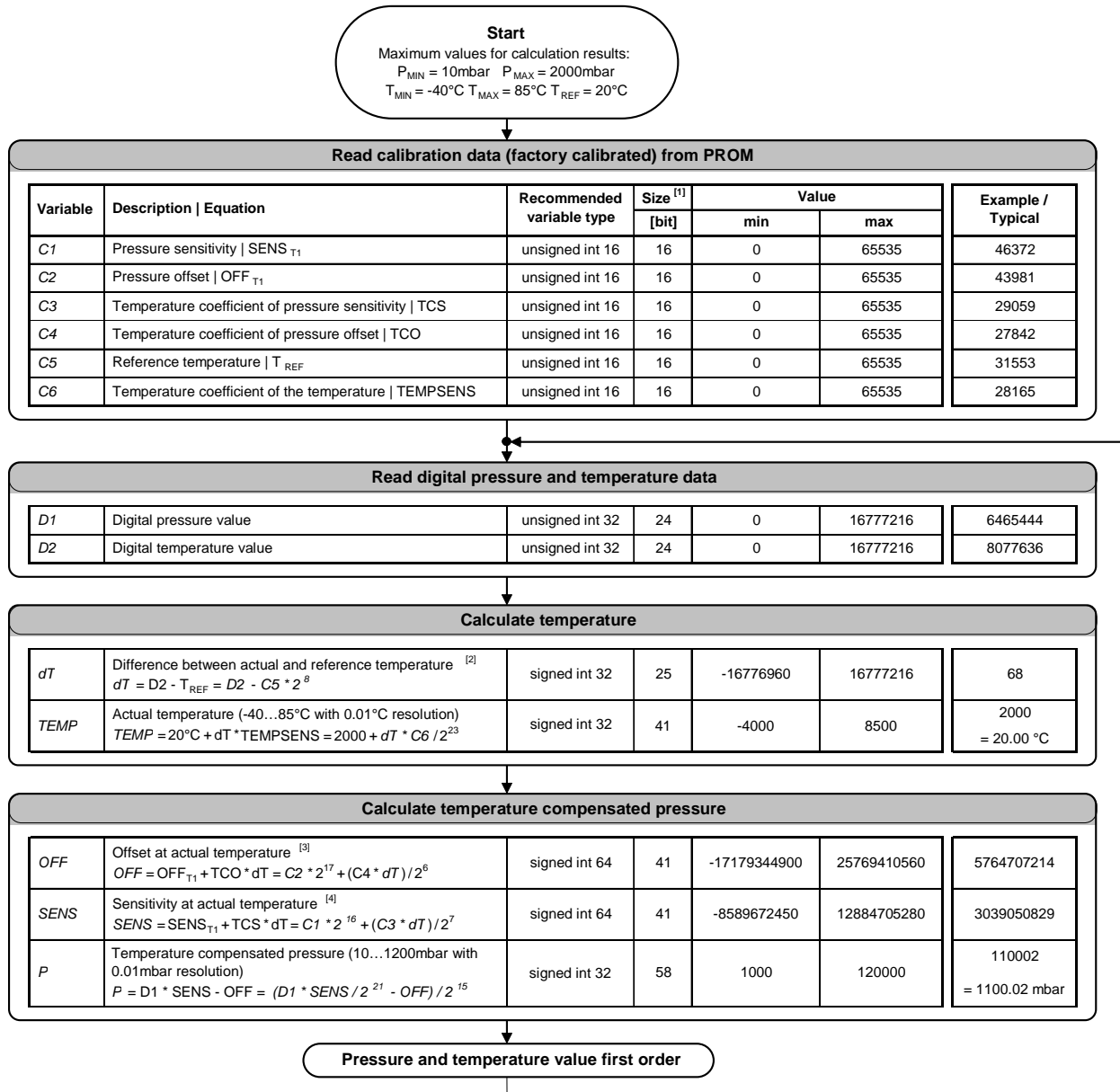
The MS5805-02BA has been built with I²C serial interface.

| Module ref | Mode | Pins used |
|---------------|------------------|-----------|
| MS5805-02BA01 | I ² C | SDA, SCL |

The external microcontroller clocks in the data through the input SCL (Serial CLock) and SDA (Serial DAta). The sensor responds on the same pin SDA which is bidirectional for the I²C bus interface. So this interface type uses only 2 signal lines and does not require a chip select.

MS5805-02BA01 Miniature Altimeter Module

PRESSURE AND TEMPERATURE CALCULATION



Notes

- [1] Maximal size of intermediate result during evaluation of variable
- [2] min and max have to be defined
- [3] min and max have to be defined
- [4] min and max have to be defined

Figure 2: Flow chart for pressure and temperature reading and software compensation.

MS5805-02BA01 Miniature Altimeter Module

SECOND ORDER TEMPERATURE COMPENSATION

The results of the last first order calculation are entered in the following chart to obtain the pressure and temperature compensated with the 2nd order: P2 and TEMP2.

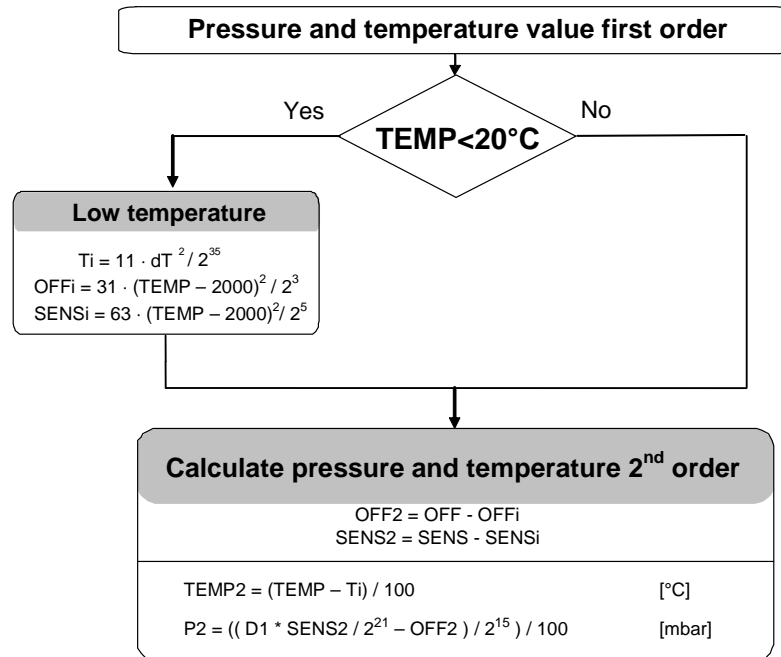


Figure 3: Flow chart for pressure and temperature to the optimum accuracy.

MS5805-02BA01 Miniature Altimeter Module

I²C INTERFACE

COMMANDS

The MS5805-02BA has only five basic commands:

1. Reset
2. Read PROM (112 bit of calibration words)
3. D1 conversion
4. D2 conversion
5. Read ADC result (24 bit pressure / temperature)

Each I²C communication message starts with the start condition and it is ended with the stop condition. The MS5805-02BA address is 1110110x (write : x=0, read : x=1).

Size of each command is 1 byte (8 bits) as described in the table below. After ADC read commands the device will return 24 bit result and after the PROM read 16bit result. The address of the PROM is embedded inside of the PROM read command using the a2, a1 and a0 bits.

| Bit number | Command byte | | | | | | | | hex value |
|-----------------------|--------------|----------|---|-----|-------------|-------------|-------------|------|-----------------|
| | 0 | 1 | 2 | 3 | 4 | 5 | 6 | 7 | |
| Bit name | PRO M | CO NV | - | Typ | Ad2/ Os2 | Ad1/ Os1 | Ad0/ Os0 | Stop | |
| Command | | | | | | | | | |
| Reset | 0 | 0 | 0 | 1 | 1 | 1 | 1 | 0 | 0x1E |
| Convert D1 (OSR=256) | 0 | 1 | 0 | 0 | 0 | 0 | 0 | 0 | 0x40 |
| Convert D1 (OSR=512) | 0 | 1 | 0 | 0 | 0 | 0 | 1 | 0 | 0x42 |
| Convert D1 (OSR=1024) | 0 | 1 | 0 | 0 | 0 | 1 | 0 | 0 | 0x44 |
| Convert D1 (OSR=2048) | 0 | 1 | 0 | 0 | 0 | 1 | 1 | 0 | 0x46 |
| Convert D1 (OSR=4096) | 0 | 1 | 0 | 0 | 1 | 0 | 0 | 0 | 0x48 |
| Convert D1 (OSR=8192) | 0 | 1 | 0 | 0 | 1 | 0 | 1 | 0 | 0x4A |
| Convert D2 (OSR=256) | 0 | 1 | 0 | 1 | 0 | 0 | 0 | 0 | 0x50 |
| Convert D2 (OSR=512) | 0 | 1 | 0 | 1 | 0 | 0 | 1 | 0 | 0x52 |
| Convert D2 (OSR=1024) | 0 | 1 | 0 | 1 | 0 | 1 | 0 | 0 | 0x54 |
| Convert D2 (OSR=2048) | 0 | 1 | 0 | 1 | 0 | 1 | 1 | 0 | 0x56 |
| Convert D2 (OSR=4096) | 0 | 1 | 0 | 1 | 1 | 0 | 0 | 0 | 0x58 |
| Convert D2 (OSR=8192) | 0 | 1 | 0 | 1 | 1 | 0 | 1 | 0 | 0x5A |
| ADC Read | 0 | 0 | 0 | 0 | 0 | 0 | 0 | 0 | 0x00 |
| PROM Read | 1 | 0 | 1 | 0 | Ad2 | Ad1 | Ad0 | 0 | 0xA0 to 0xAE |

Figure 4: Command structure

MS5805-02BA01 Miniature Altimeter Module

RESET SEQUENCE

The Reset sequence shall be sent once after power-on to make sure that the calibration PROM gets loaded into the internal register. It can be also used to reset the device PROM from an unknown condition.

The reset can be sent at any time. In the event that there is not a successful power on reset this may be caused by the SDA being blocked by the module in the acknowledge state. The only way to get the MS5805 to function is to send several SCLs followed by a reset sequence or to repeat power on reset.

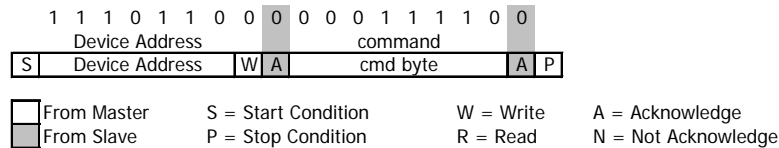


Figure 5: I²C Reset Command

PROM READ SEQUENCE

The read command for PROM shall be executed once after reset by the user to read the content of the calibration PROM and to calculate the calibration coefficients. There are in total 7 addresses resulting in a total memory of 112 bit. Addresses contains factory data and the setup, calibration coefficients, the serial code and CRC. The command sequence is 8 bits long with a 16 bit result which is clocked with the MSB first. The PROM Read command consists of two parts. First command sets up the system into PROM read mode. The second part gets the data from the system.

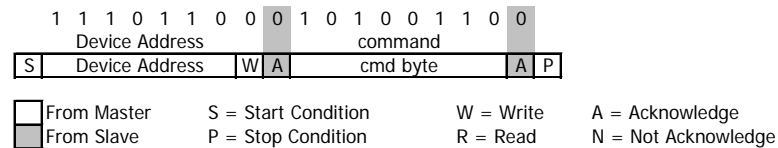


Figure 6: I²C Command to read memory address= 011

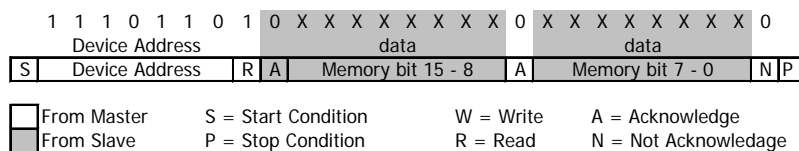


Figure 7: I²C answer from MS5805

MS5805-02BA01 Miniature Altimeter Module

CONVERSION SEQUENCE

The conversion command is used to initiate uncompensated pressure (D1) or uncompensated temperature (D2) conversion. After the conversion, using ADC read command the result is clocked out with the MSB first. If the conversion is not executed before the ADC read command, or the ADC read command is repeated, it will give 0 as the output result. If the ADC read command is sent during conversion the result will be 0, the conversion will not stop and the final result will be wrong. Conversion sequence sent during the already started conversion process will yield incorrect result as well. A conversion can be started by sending the command to MS5805. When command is sent to the system it stays busy until conversion is done. When conversion is finished the data can be accessed by sending a Read command, when an acknowledge is sent from the MS5805, 24 SCL cycles may be sent to receive all result bits. Every 8 bits the system waits for an acknowledge signal.

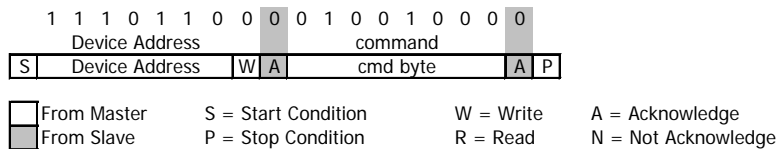


Figure 8: I²C command to initiate a pressure conversion (OSR=4096, typ=D1)

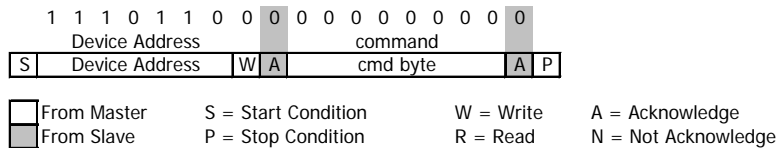


Figure 9: I²C ADC read sequence

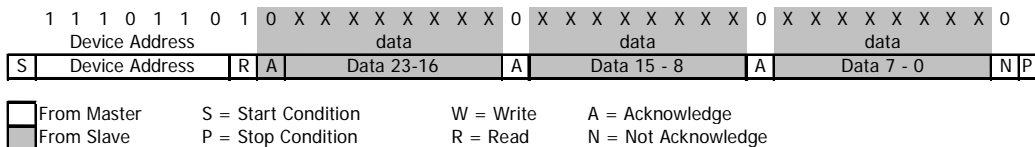


Figure 10: I²C answer from MS5805

MS5805-02BA01 Miniature Altimeter Module

CYCLIC REDUNDANCY CHECK (CRC)

MS5805-02BA contains a PROM memory with 112-Bit. A 4-bit CRC has been implemented to check the data validity in memory. The C code example below describes the CRC calculation which is stored on DB12 to DB15 in the first PROM word.

| | | | | | | | | | | | | | | | | |
|---|-----|---|---|---|---|-----------------|---|---|---|---|---|----|---|---|---|---|
| A | D | D | D | D | D | D | D | D | D | D | D | D | D | D | D | D |
| d | B | B | B | B | B | B | B | B | B | B | B | B | B | B | B | B |
| d | 1 | 1 | 1 | 1 | 1 | 1 | 9 | 8 | 7 | 6 | 5 | 4 | 3 | 2 | 1 | 0 |
| 0 | CRC | | | | | Factory defined | | | | | | | | | | |
| 1 | | | | | | | | | | | | C1 | | | | |
| 2 | | | | | | | | | | | | C2 | | | | |
| 3 | | | | | | | | | | | | C3 | | | | |
| 4 | | | | | | | | | | | | C4 | | | | |
| 5 | | | | | | | | | | | | C5 | | | | |
| 6 | | | | | | | | | | | | C6 | | | | |

Figure 11: Memory PROM mapping

C Code example for CRC-4 calculation:

```

unsigned char crc4(unsigned int n_prom[])           // n_prom defined as 8x unsigned int (n_prom[8])
{
    int cnt;                                       // simple counter
    unsigned int n_rem=0;                         // crc reminder
    unsigned char n_bit;

    n_prom[0]=((n_prom[0]) & 0x0FFF);            // CRC byte is replaced by 0
    n_prom[7]=0;                                  // Subsidiary value, set to 0
    for (cnt = 0; cnt < 16; cnt++)                // operation is performed on bytes
    {                                              // choose LSB or MSB
        if (cnt%2==1)    n_rem ^= (unsigned short) ((n_prom[cnt]>>1) & 0x00FF);
        else              n_rem ^= (unsigned short) (n_prom[cnt]>>1]>>8);
        for (n_bit = 8; n_bit > 0; n_bit--)
        {
            if (n_rem & (0x8000))    n_rem = (n_rem << 1) ^ 0x3000;
            else                      n_rem = (n_rem << 1);
        }
    }
    n_rem= ((n_rem >> 12) & 0x000F);            // final 4-bit reminder is CRC code
    return (n_rem ^ 0x00);
}

```

MS5805-02BA01 Miniature Altimeter Module

APPLICATION CIRCUIT

The MS5805-02BA is a circuit that can be used in conjunction with a microcontroller in mobile altimeter applications. It is designed for low-voltage systems with a supply voltage of 3 V.

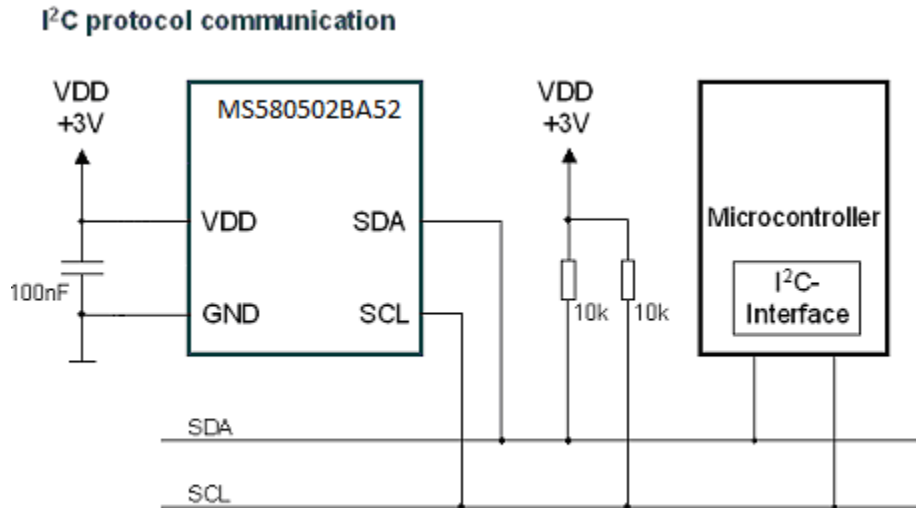


Figure 12: Typical application circuit with I²C protocol communication

MS5805-02BA01 Miniature Altimeter Module

PIN CONFIGURATION

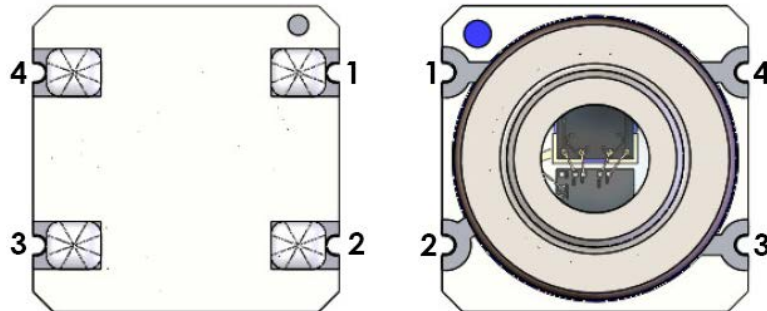


Figure 13: pin configuration

| Pin | Name | Type | Function |
|-----|------|------|--------------------------|
| 1 | VDD | P | Positive supply voltage |
| 2 | SCL | I | Serial data Clock |
| 3 | SDA | IO | I ² C data IO |
| 4 | GND | P | Ground |

DEVICE PACKAGE OUTLINE

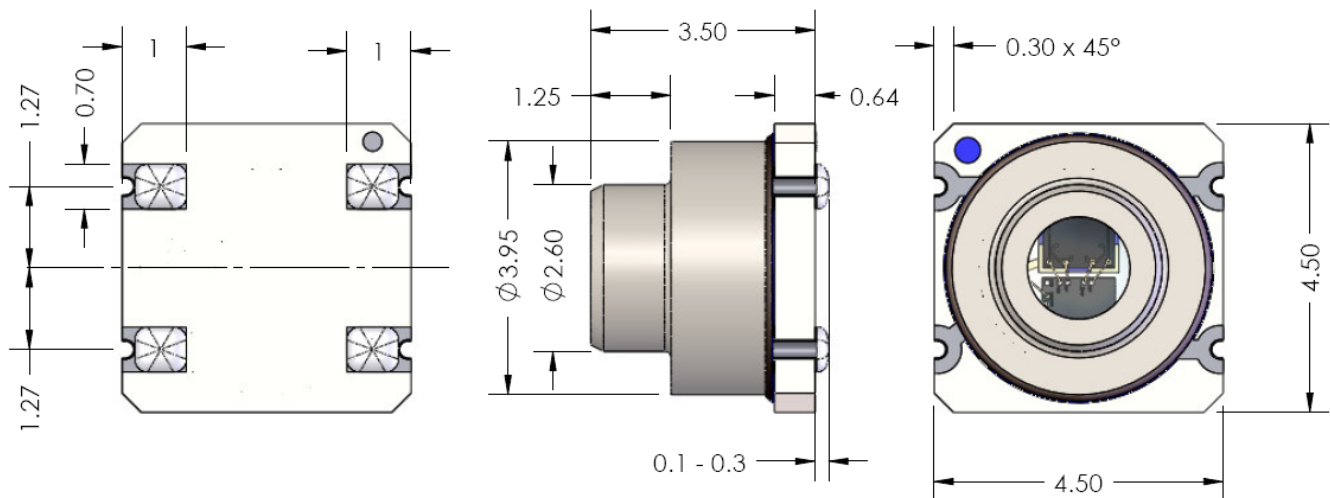


Figure 14: MS5805-02BA package outlines

- Notes:**
- (1) Dimensions in mm
 - (2) Interpret Dim and tolerance per ASME Y14.5M - 1994
 - (3) Angular dimensions $\pm 0.3^\circ$
 - (4) Hole locations ± 0.1
 - (4) Linear dimension ± 0.1
 - (5) Cap centering ± 0.15 from center of the ceramic

MS5805-02BA01 Miniature Altimeter Module

RECOMMENDED PAD LAYOUT

Pad layout for bottom side of the MS5805 soldered onto printed circuit board.

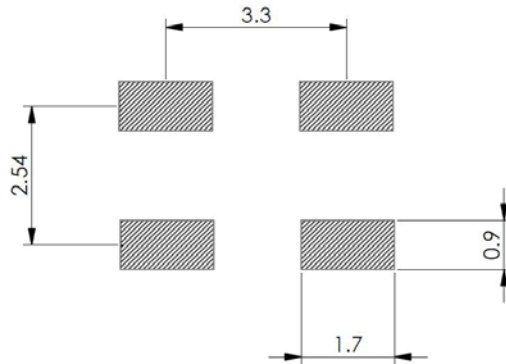
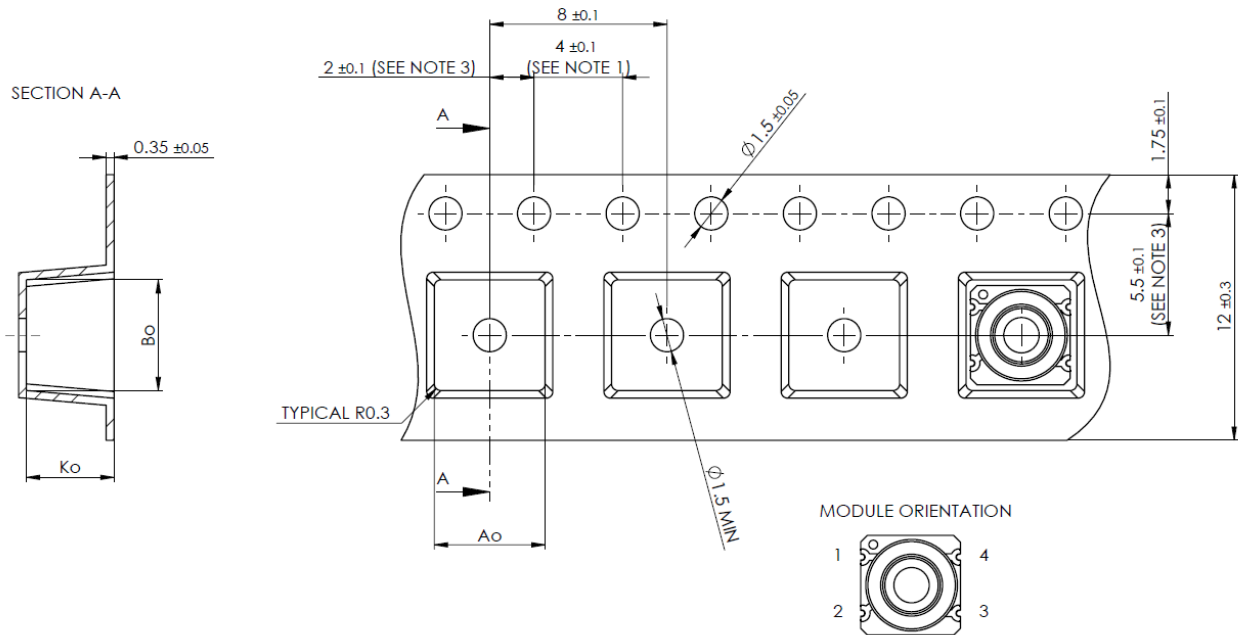


Figure 15: MS5805 pad layout

SHIPPING PACKAGE



| | |
|----|-------|
| Ao | 5±0.1 |
| Bo | 5±0.1 |
| Ko | 4±0.1 |

NOTE:

- 1: 10 SPROCKET HOLE PITCH CUMULATIVE TOLERANCE ±0.2
- 2: CAMBER IN COMPLIANCE WITH EIA 481
- 3: POCKET POSITION RELATIVE TO SPROCKET HOLE MEASURED AS TRUE POSITION OF POCKET, NOT POCKET HOLE
- 4: IN CASE OF DOUBT REFER TO EIA-481-C

Figure 16: Tape and Reel

MS5805-02BA01 Miniature Altimeter Module

MOUNTING AND ASSEMBLY CONSIDERATIONS

SOLDERING

Please refer to the application note AN808 available on our website for all soldering issues.

CONNECTION TO PCB

The package outline of the module allows the use of a flexible PCB for interconnection. This can be important for applications in watches and other special devices.

CLEANING

The MS5805-02BA has been manufactured under cleanroom conditions. It is therefore recommended to assemble the sensor under class 10'000 or better conditions. Should this not be possible, it is recommended to protect the sensor opening during assembly from entering particles and dust. To avoid cleaning of the PCB, solder paste of type "no-clean" shall be used. Cleaning might damage the sensor!

ESD PRECAUTIONS

The electrical contact pads are protected against ESD up to 2 kV HBM (human body model). It is therefore essential to ground machines and personnel properly during assembly and handling of the device. The MS5805-02BA is shipped in antistatic transport boxes. Any test adapters or production transport boxes used during the assembly of the sensor shall be of an equivalent antistatic material.

DECOUPLING CAPACITOR

Particular care must be taken when connecting the device to the power supply. A 100 nF ceramic capacitor must be placed as close as possible to the MS5805-02BA VDD pin. This capacitor will stabilize the power supply during data conversion and thus, provide the highest possible accuracy.

MS5805-02BA01 Miniature Altimeter Module

ORDERING INFORMATION

| Part Number / Art. Number | Product | Delivery Form |
|---------------------------|--|-------------------|
| MS580502BA01-50 | MS5805-02BA Miniature Altimeter Module T&R | Tape& reel TOP-UP |

FACTORY CONTACTS

EUROPE

MEAS Switzerland Sàrl
Ch. Chapons-des-Prés 11
CH-2022 Bevaix

Tel: +41 32 847 9550
Fax: + 41 32 847 9569
e-mail: sales.ch@meas-spec.com
Website: www.meas-spec.com

ASIA

Measurement Specialties (China), Ltd.
No. 26 Langshan Road
Shenzhen High-Tech Park (North)
Nanshan District, Shenzhen, 518057
China

Tel: +86 755 3330 5088
Fax: +86 755 3330 5099
e-mail: pfg.cs.asia@meas-spec.com
Website: www.meas-spec.com

NORTH AMERICA

Measurement Specialties
45738 Northport Loop West
Fremont, CA 94538

Tel: +1 800 767 1888
Fax: +1 510 498 1578
e-mail: pfg.cs.amer@meas-spec.com
Website: www.meas-spec.com

The information in this sheet has been carefully reviewed and is believed to be accurate; however, no responsibility is assumed for inaccuracies. Furthermore, this information does not convey to the purchaser of such devices any license under the patent rights to the manufacturer. Measurement Specialties, Inc. reserves the right to make changes without further notice to any product herein. Measurement Specialties, Inc. makes no warranty, representation or guarantee regarding the suitability of its product for any particular purpose, nor does Measurement Specialties, Inc. assume any liability arising out of the application or use of any product or circuit and specifically disclaims any and all liability, including without limitation consequential or incidental damages. Typical parameters can and do vary in different applications. All operating parameters must be validated for each customer application by customer's technical experts. Measurement Specialties, Inc. does not convey any license under its patent rights nor the rights of others.

X-ON Electronics

Largest Supplier of Electrical and Electronic Components

Click to view similar products for [Board Mount Pressure Sensors](#) category:

Click to view products by [Measurement Specialties](#) manufacturer:

Other Similar products are found below :

[80527-25.0H2-05](#) [80541-B00000150-01](#) [80541-B00000200-05](#) [80554-00700100-05](#) [80568-00300050-01](#) [81618-B00000040-01](#) [81739-B00000900-01](#) [81807-B00000020-01](#) [81808-B00000150-14](#) [82903-B00000020-01](#) [93.631.4253.0](#) [93.731.4353.0](#) [93.932.4553.0](#) [136PC150G2](#) [136PC15A1](#) [142PC95AW71](#) [142PC05DW70](#) [MPXV2202DPT1](#) [15PSI-G-4V](#) [1805-01A-L0N-B](#) [2000317-1](#) [26PCBKT](#) [26PCCFA6D26](#) [26PCCFS2G](#) [26PCCVA6D](#) [93.632.7353.0](#) [93.731.3653.0](#) [93.931.4853.0](#) [93.932.4853.0](#) [SCDA120-XSC05DC](#) [SP370-23-156-0](#) [185PC30DH](#) [192992-0059](#) [20INCH-G-MV-MINI](#) [26PCAFJ3G](#) [26PCAFS2G54](#) [26PCCEP5G24](#) [26PCJEU5G19](#) [30INCH-D1-MV-MINI](#) [ASCX15AN-90](#) [TSCSAAN001PDUCV](#) [DCAL401DN](#) [DCAL401GN](#) [XZ202798SSC](#) [XZ203676HSC](#) [SP370-25-116-0](#) [81717-00000050-05](#) [81794-B00001200-01](#) [HSCDLNN100PGAA5](#) [81618-B00000040-05](#)