

Technical specification:

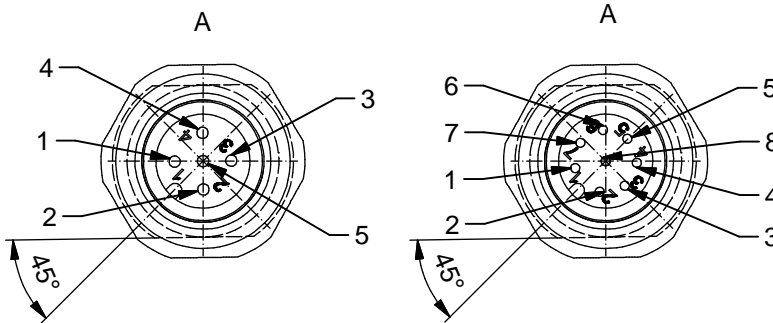
Rated voltage: IEC 61076-2-101	4pos 250 V	5pos 60 V	8pos 30 V
Current rating: IEC 61076-2-101	4/5pos 4 A at 40°C	8pos 2 A at 40°C	
Insulation resistance: IEC 60512	≥100 MΩ		
Pollution degree: IEC 60664-1	3/2		
Degree of protection: IEC 60529	IP 67, in mated condition		
Temperature range:	-30°C ... +85°C		
Mating cycles: IEC 60512-9a	≥100		

Materials:

Contact:	CuZn
Contact plating:	Nickel, gold plated
Contact carrier:	PBT GF, UL 94
Sealing:	FPM
Socket housing:	CuZn, nickel plated
Grouting:	Polyurethane-resin, UL 94

Installation specification:

recommended torque:	1-1,2 Nm
Conec installation tool:	Torque wrench: 36-000200 Insert across flats 17: 36-000230

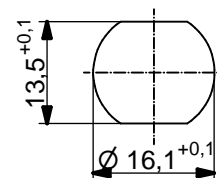


Contact assignment:

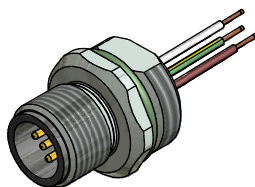
- 1 brown
- 2 white
- 3 blue
- 4 black
- 5 green-yellow

Contact assignment:

- 1 white
- 2 brown
- 3 green
- 4 yellow
- 5 grey
- 6 pink
- 7 blue
- 8 red



Minimum wall thickness 1,5mm, alternativ panel cut-out d=16,1



Part no:	Description:	Pos	Length L:	Wire:
43-01009	SAL - 12 - FS4 - 0,5	4	0,5m	AWG 24 PVC, UL
43-xxxxx	SAL - 12 - FS4 - ...	4	x	
43-01010	SAL - 12 - FS5 - 0,5	5	0,5m	
43-xxxxx	SAL - 12 - FS5 - ...	5	x	
43-01011	SAL - 12 - FS8 - 0,5	8	0,5m	
43-xxxxx	SAL - 12 - FS8 - ...	8	x	

DO NOT ALTER CAD DRAWING BY HAND Directive 2011/65/EU RoHS compliant	Index: e 30.09.2014 rch Ä5374 Temperature range was: -30°C ... +80°C	dim. in mm	title: Male socket M12x1 with wire, frontmounting										
	L ≤ 0,5m: L + 20mm L > 0,5m: L + 4%	<table border="1" style="width: 100%; border-collapse: collapse;"> <tr> <td style="width: 30px;"></td> <td style="width: 100px;">date</td> <td style="width: 100px;">name</td> </tr> <tr> <td>drawn</td> <td>01.03.07</td> <td>Fromm</td> </tr> <tr> <td>appd.</td> <td>01.03.07</td> <td>Mankopf</td> </tr> </table>				date	name	drawn	01.03.07	Fromm	appd.	01.03.07	Mankopf
		date	name										
	drawn	01.03.07	Fromm										
appd.	01.03.07	Mankopf											
general tolerance: 0 ± 0,50mm 0,0 ± 0,25mm 0,00 ± 0,10mm			part no: see table										
THIS DRAWING MAY NOT BE COPIED OR REPRODUCED IN ANY WAY, AND MAY NOT BE PASSED ON TO A THIRD PARTY WITHOUT WRITTEN PERMISSION. OWNERSHIP AND COPYRIGHT OF CONEC GmbH													

X-ON Electronics

Largest Supplier of Electrical and Electronic Components

Click to view similar products for [Standard Circular Connector](#) category:

Click to view products by [CONEC](#) manufacturer:

Other Similar products are found below :

[C015 10F006 001 1](#) [5M2530B10P](#) [600247N007](#) [600259N006](#) [600273N007](#) [600432N009](#) [6280-2PG-519](#) [6280-3PG-311](#) [6280-3SG-311](#)
[6280-7SG-3DC](#) [6280-7SG-522](#) [6282-5PG-311](#) [6282-6PG-519](#) [6282-8SG-311](#) [6283-11](#) [6283-15](#) [6290](#) [6293](#) [6382-2PG-311](#) [6382-2PG-3DC](#)
[6382-2SG-321](#) [6382-2SG-3DC](#) [6382-4SG-516](#) [67-03E20-37P](#) [681-PMG](#) [CXS3102A14S2P](#) [CXS3102A181S](#) [CXS3106A14S6S](#)
[D38999/20FC8SA L/C](#) [MB12P-1](#) [MB12R-6](#) [7251-2PG-300](#) [7251-2SG-300](#) [7251-4PG-300](#) [7251-4SG-300](#) [7251-5PG-300](#) [7251-5SG-300](#)
[7251-6SG-300](#) [7251-7PG-300](#) [7251-8PG-300](#) [7271-6SG-300](#) [7282-3PG-300-CH3](#) [73000005663](#) [75-190011-03P](#) [75-190216-08S](#) [75-190218-](#)
[10P](#) [75-214636-52P](#) [75-474118-10P](#) [75-474211-03P](#) [75-474218-19S](#)