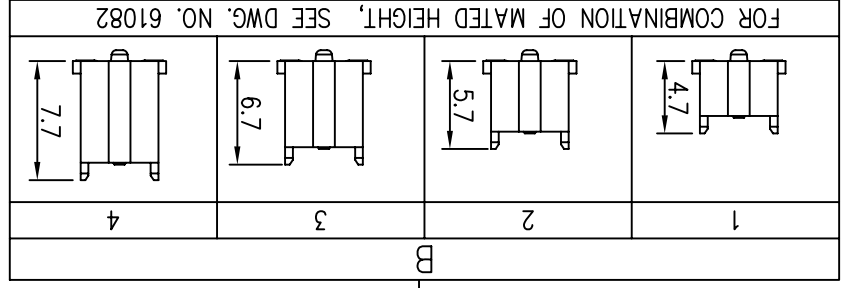




AA	NO. OF POSITIONS	02	2X10
		04	2X20
		06	2X30
		08	2X40
		10	2X50
		12	2X60
		14	2X70
		16	2X80
		18	2X90
		20	2X100



FOR COMBINATION OF MATED HEIGHT, SEE DWG. NO. 61082

- NOTE:
1. MATERIAL: HOUSING: G.F. LCP, U194-V0
TERMINAL: BRASS
 2. PLATING: AS SHOWN IN TABLE.
 3. SEE GS-12-547 FOR PRODUCT SPEC.
 4. PACKAGING OPTION 2: NOT ALL SIZES ARE AVAILABLE. CHECK WITH FACTORY.
 5. THIS PRODUCT MEETS THE EUROPEAN UNION DIRECTIVES AND OTHER COUNTRY REGULATIONS AS DESCRIBED IN GS-22-008.
 6. THE HOUSING WILL WITHSTAND EXPOSURE UP TO 260 PEAK TEMPERATURE FOR 30 SECONDS IN A CONVECTION, INFRA-RED OR VAPOR PHASE REFLOW OVEN.
 7. PLATING OPTION "4" IS LEADFREE ALTERNATIVE FOR OPTION "0", AND OPTION "6" IS LEADFREE ALTERNATIVE FOR OPTION "1".
 8. HIGH PRECISION COPPLANARITY IS AVAILABLE FOR 2X80 TO 2X100 POS, ALL HEIGHTS. PLS REFER TO PRINT 10069525.
 9. THE P/N 61083-***** OR 61083-*****LF NOT PRINT DATE CODE.
 10. POSITION 2X10 TYPE ONLY APPLY TO PLUG 1.
 11. KAPTON TAPE ONLY APPLY TO POSITION 2X10~2X20.

61083-AA B C D E G FF

G	DATE CODE
/	NOT PRINT DATE CODE
P	PRINT DATE CODE
E	PACKAGING
0	TUBE WITHOUT METAL CAP
2	T&R WITH METAL CAP
9	TUBE WITH METAL CAP
6	T&R WITHOUT METAL CAP (WITH KAPTON TAPE)
7	T&R WITH PLASTIC CAP

D	FEATURE	0	YES	NO
	HOLD DOWN	2	NO	NO

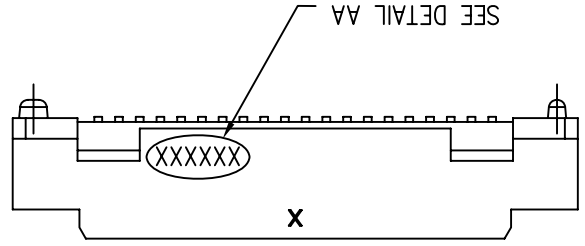
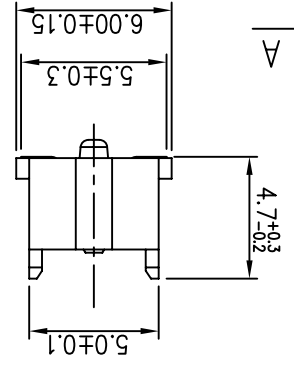
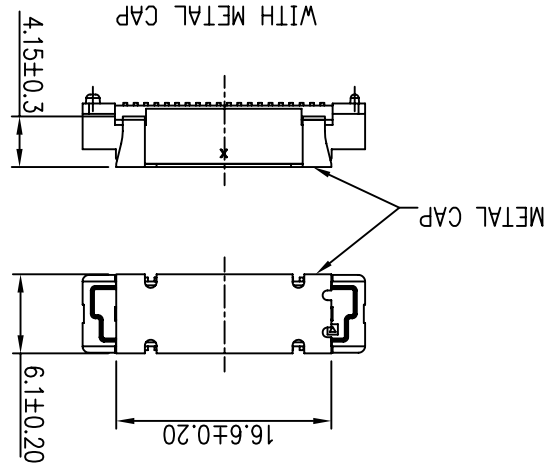
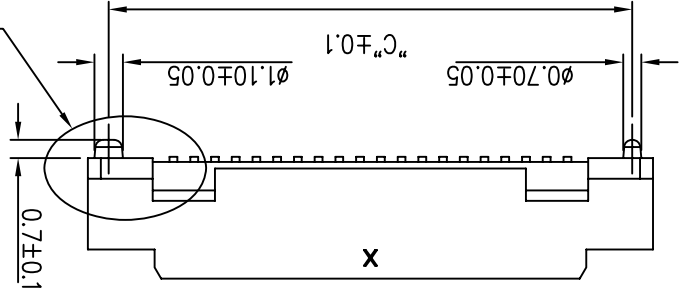
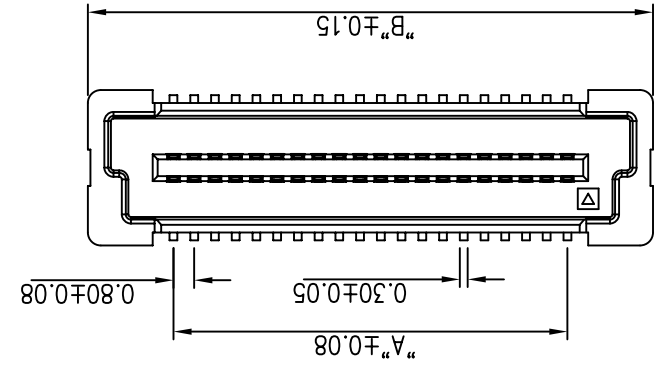
C	PLATING: CONTACT AREA / SOLDER TAIL AREA	FF
0	GOLD 0.2um MIN. / TIN LEAD 2.5um MIN	NONE
1	GOLD FLASH (0.1um MIN) OVER PALLADIUM-NICKEL 0.76um MIN / TIN LEAD 2.5um MIN	NONE
4	GOLD 0.2um MIN / PURE MATT TIN 2.5um MIN	LF
5	GOLD 0.38um MIN / MATT PURE TIN 2.5um MIN	LF
6	GOLD FLASH (0.1um MIN) OVER PALLADIUM-NICKEL 0.76um MIN / PURE MATT TIN 2.5um MIN	LF
9	GOLD 0.2um MIN / GOLD 0.05um MIN	LF

spec ref	dr	Guomin Sun	2014-10-21
	eng	Guomin Sun	2014-10-21
	chr	ZK Hu	2014-10-21
	appr	Feagle Pan	2014-10-21
tolerance std	TOLERANCES UNLESS OTHERWISE SPECIFIED		
surface	linear	0.XX	±0.15
		0.XXX	±0.10
	angular	0	±2
www.fci.com cat. no.			
title BERGSTAK 0.8mm BTB PLUG ASSY			
dwg no			
rev AG			
Product - Customer drw sheet 1 of 6			

A B C D



PRODUCT NO.	NO. OF POSITION	DIMENSION		
		A	B	C
61083-021***	2X10	7.2	13.8	12.2
61083-041***	2X20	15.2	21.8	20.2
61083-061***	2X30	23.2	29.8	28.2
61083-081***	2X40	31.2	37.8	36.2
61083-101***	2X50	39.2	45.8	44.2
61083-121***	2X60	47.2	53.8	52.2
61083-141***	2X70	55.2	61.8	60.2
61083-161***	2X80	63.2	69.8	68.2
61083-181***	2X90	71.2	77.8	76.2
61083-201***	2X100	79.2	85.8	84.2

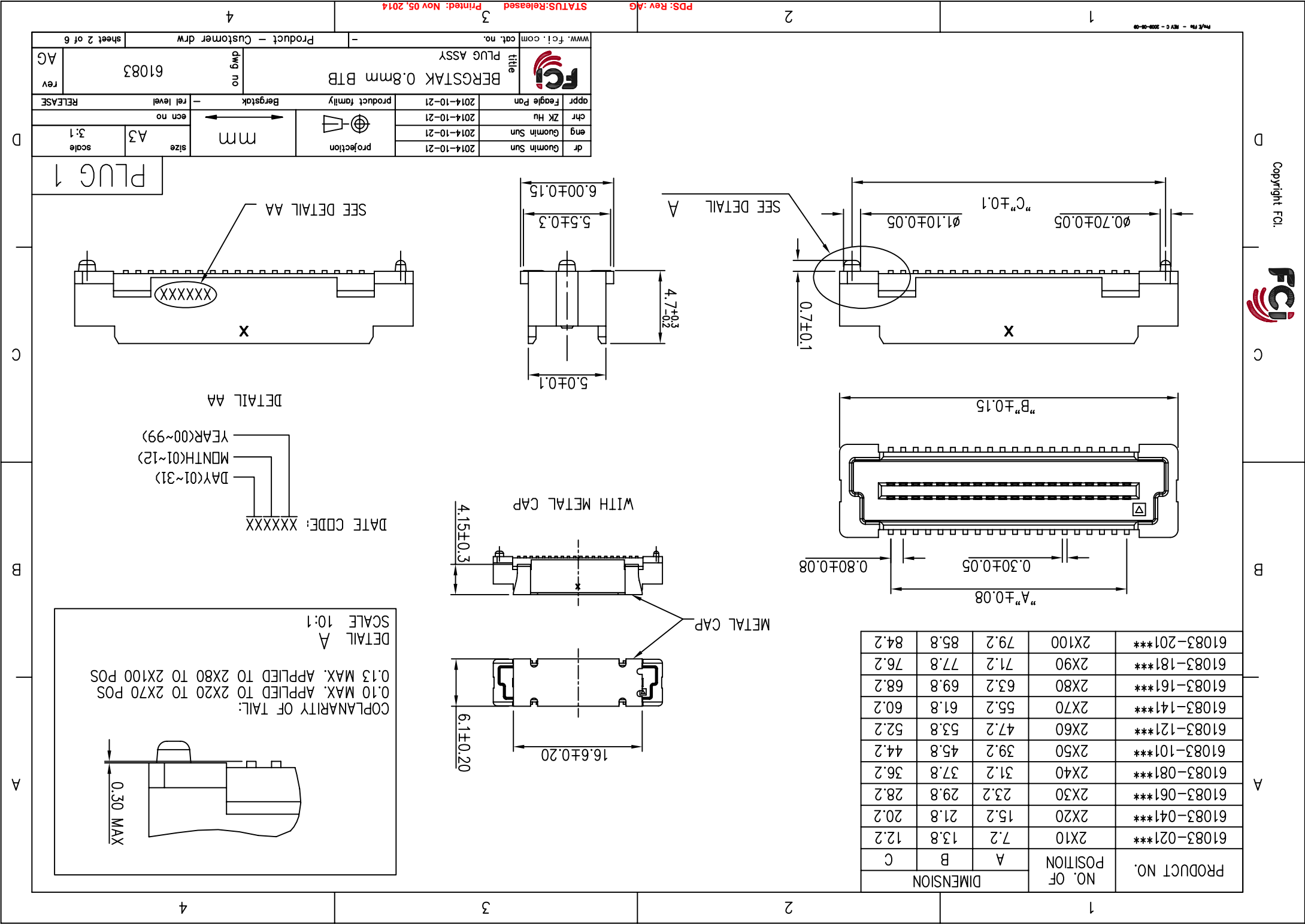


DATE CODE: XXXXXX
 DAY(01~31)
 MONTH(01~12)
 YEAR(00~99)
 DETAIL AA

DETAIL A
 SCALE 10:1
 COPLANARITY OF TAIL:
 0.10 MAX. APPLIED TO 2X20 TO 2X70 POS
 0.13 MAX. APPLIED TO 2X80 TO 2X100 POS

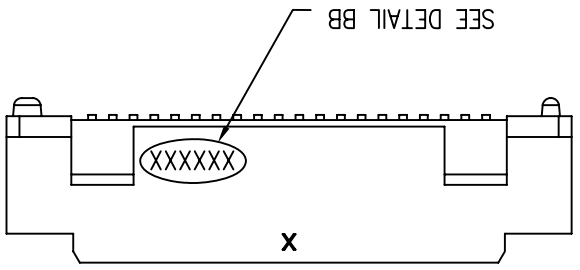
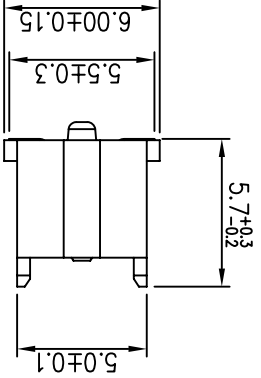
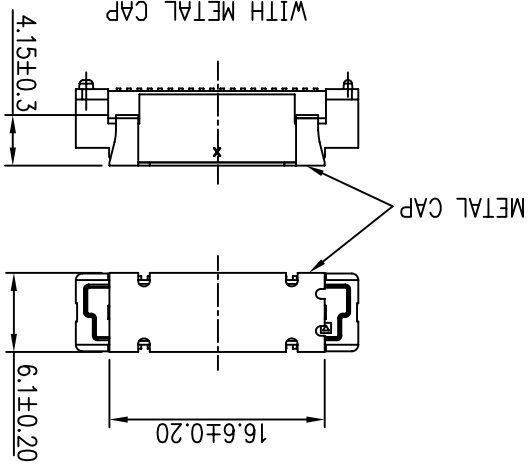
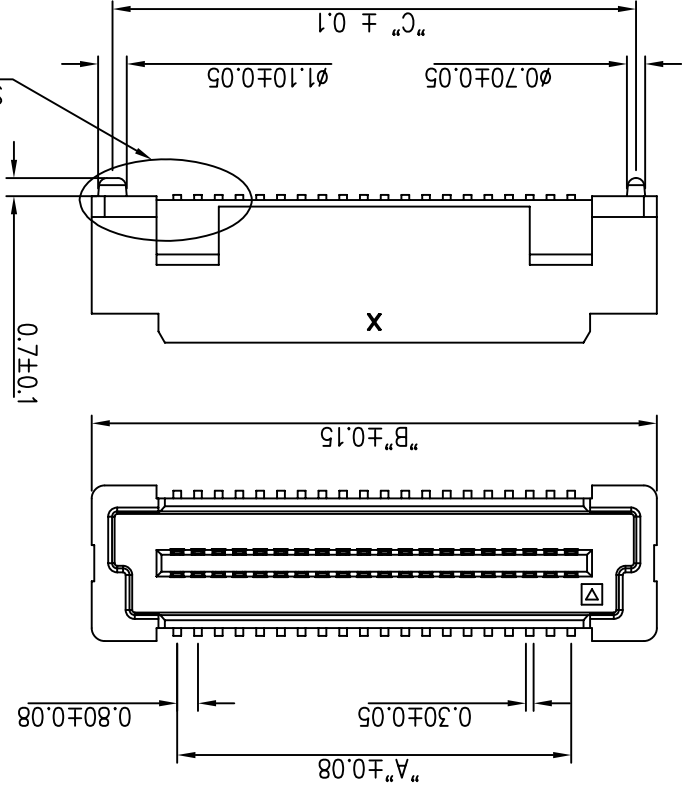
dr	Guomin Sun	2014-10-21	projection	mm	size	A3	scale	3:1
eng	Guomin Sun	2014-10-21						
chr	ZK Hu	2014-10-21						
appr	Feagle Pan	2014-10-21	product family	Bergstak	rel level			RELEASE
title	BERGSTAK 0.8mm BTB PLUG ASSY							
www.fci.com	cat. no.	-						
Product - Customer drw sheet 2 of 6								

PLUG 1

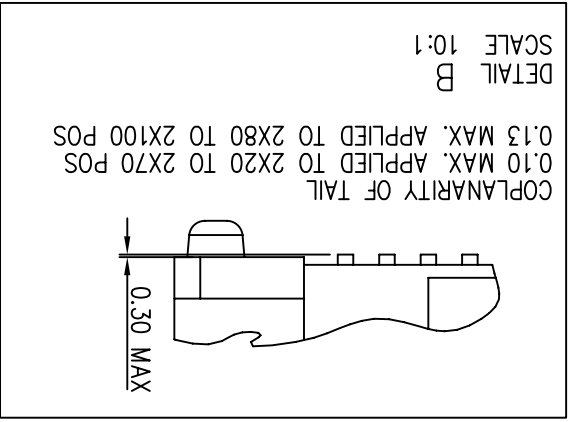




PRODUCT NO.	NO. OF POSITION	DIMENSION		
		A	B	C
61083-042***	2X20	15.2	21.8	20.2
61083-062***	2X30	23.2	29.8	28.2
61083-082***	2X40	31.2	37.8	36.2
61083-102***	2X50	39.2	45.8	44.2
61083-122***	2X60	47.2	53.8	52.2
61083-142***	2X70	55.2	61.8	60.2
61083-162***	2X80	63.2	69.8	68.2
61083-182***	2X90	71.2	77.8	76.2
61083-202***	2X100	79.2	85.8	84.2

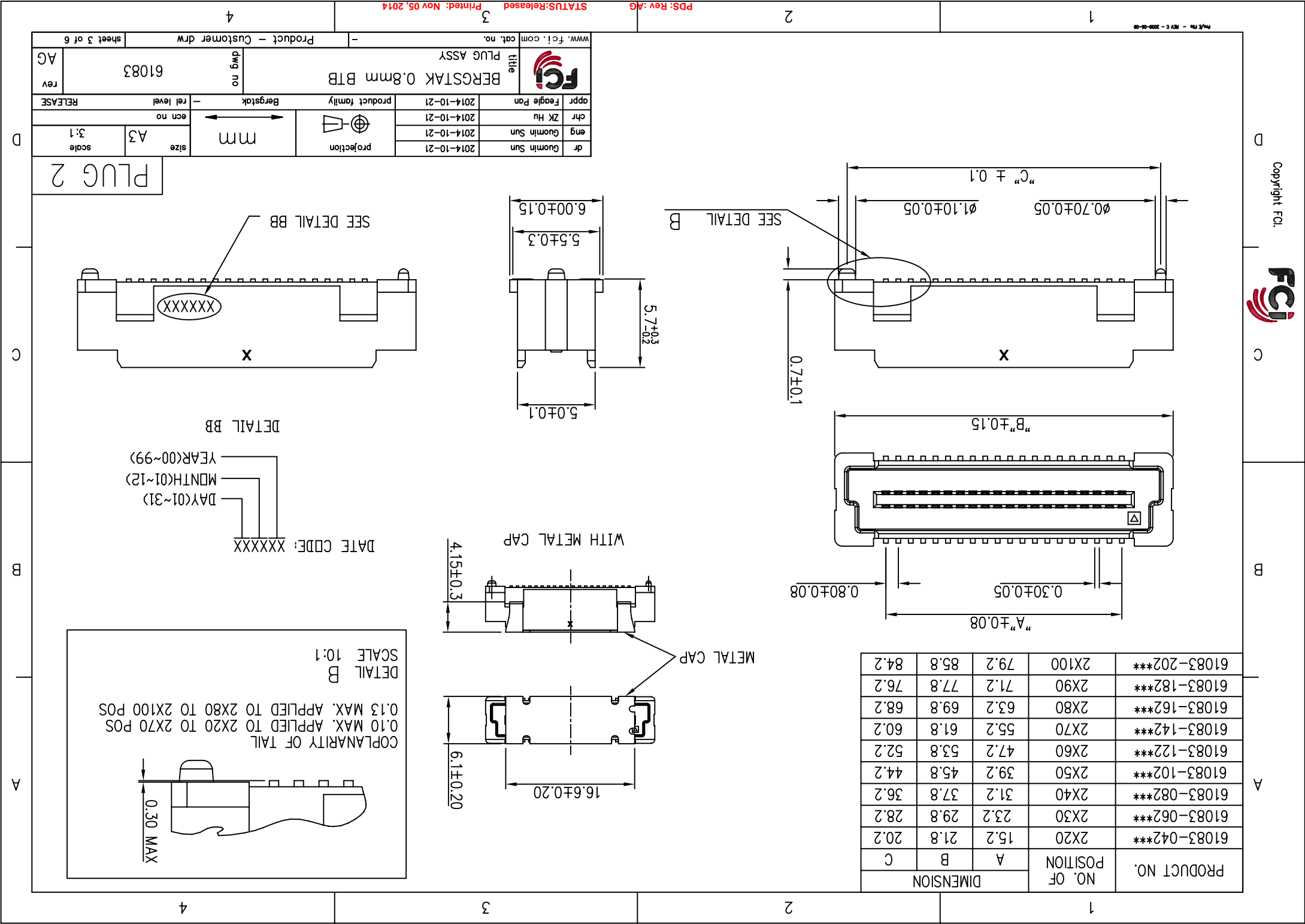


DATE CODE: XXXXXX
 DAY(01~31)
 MONTH(01~12)
 YEAR(00~99)
 DETAIL BB



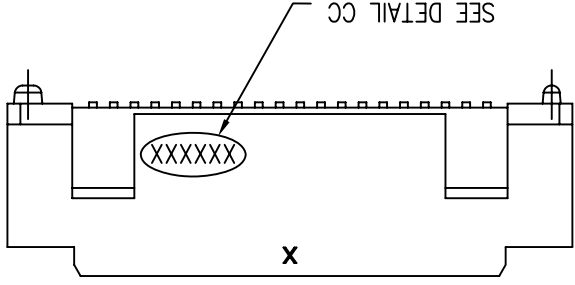
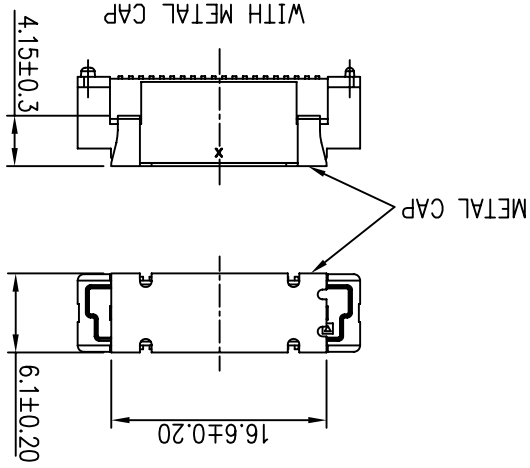
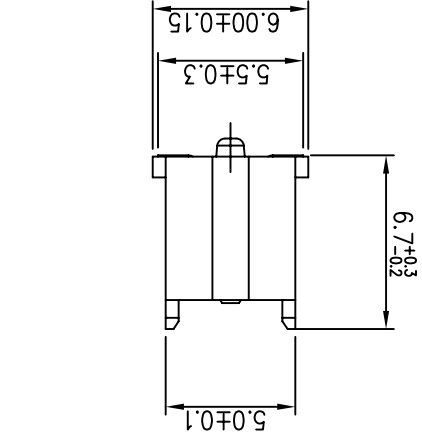
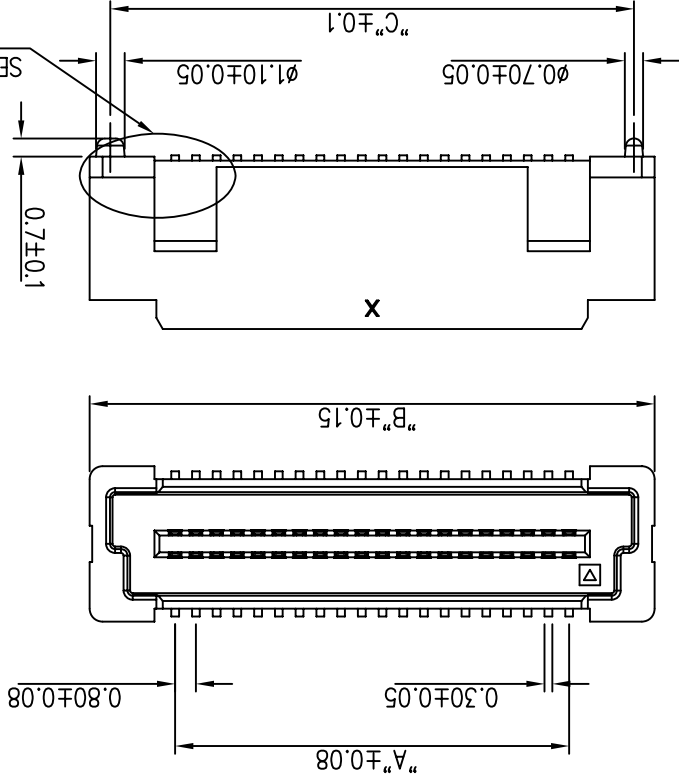
dr	Guomin Sun	2014-10-21	projection	size	A3	scale	3:1
eng	Guomin Sun	2014-10-21		ecm no			
chr	ZK Hu	2014-10-21		rel level			
appr	Feagle Pan	2014-10-21	product family	Bergstak			
title		BERGSTAK 0.8mm BTB					
www.fci.com cat. no.		-					
Product		Customer drw					
sheet 3 of 6							

PLUG 2

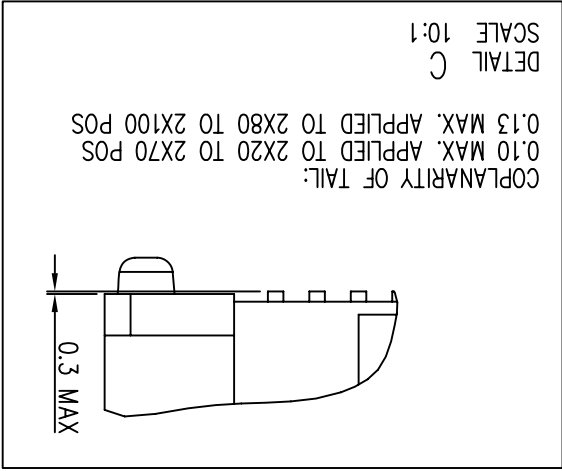




PRODUCT NO.	NO. OF POSITION	DIMENSION		
		A	B	C
61083-043***	2X20	15.2	21.8	20.2
61083-063***	2X30	23.2	29.8	28.2
61083-083***	2X40	31.2	37.8	36.2
61083-103***	2X50	39.2	45.8	44.2
61083-123***	2X60	47.2	53.8	52.2
61083-143***	2X70	55.2	61.8	60.2
61083-163***	2X80	63.2	69.8	68.2
61083-183***	2X90	71.2	77.8	76.2
61083-203***	2X100	79.2	85.8	84.2



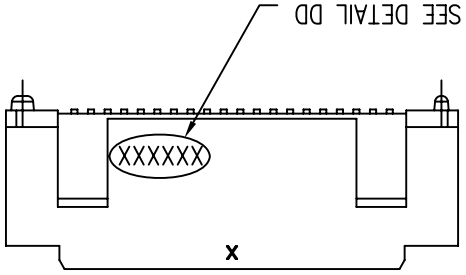
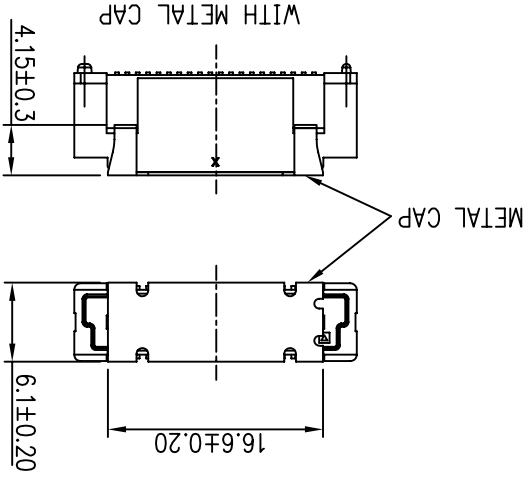
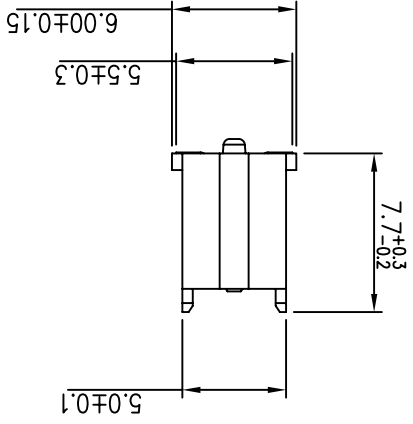
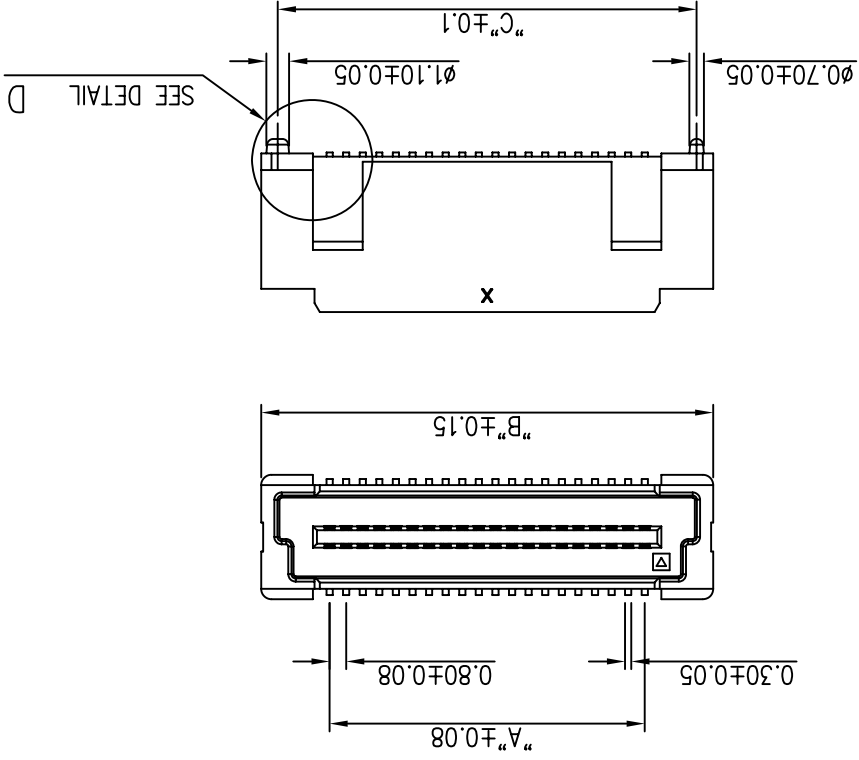
DATE CODE: XXXXXX
 DAY(01~31)
 MONTH(01~12)
 YEAR(00~99)
 DETAIL CC



dr	Guomh Sun	2014-10-21	projection	mm	size	A3	scale	3:1
eng	Guomh Sun	2014-10-21						
chr	ZK Hu	2014-10-21						
appr	Feagle Pan	2014-10-21	product family	Bergstak	rel level			
title		www.fci.com cat. no.		Product - Customer drw		sheet 4 of 6		
BERGSTAK 0.8mm BTB		PLUG ASSY		61083		AG		

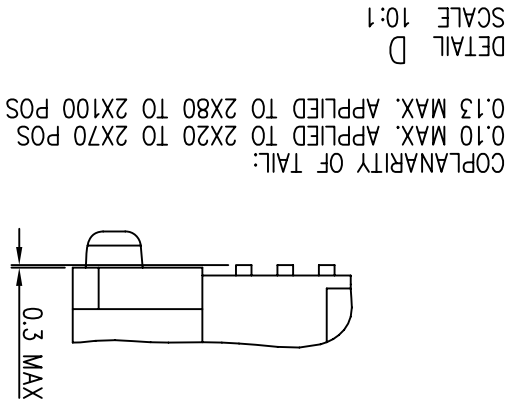
PLUG 3

PRODUCT NO.	NO. OF POSITION	DIMENSION		
		A	B	C
61083-044***	2X20	15.2	21.8	20.2
61083-064***	2X30	23.2	29.8	28.2
61083-084***	2X40	31.2	37.8	36.2
61083-104***	2X50	39.2	45.8	44.2
61083-124***	2X60	47.2	53.8	52.2
61083-144***	2X70	55.2	61.8	60.2
61083-164***	2X80	63.2	69.8	68.2
61083-184***	2X90	71.2	77.8	76.2
61083-204***	2X100	79.2	85.8	84.2



DETAIL DD

DATE CODE: XXXXXX
 DAY(01~31)
 MONTH(01~12)
 YEAR(00~99)



COPLANARITY OF TAIL:
 0.10 MAX. APPLIED TO 2X20 TO 2X70 POS
 0.13 MAX. APPLIED TO 2X80 TO 2X100 POS

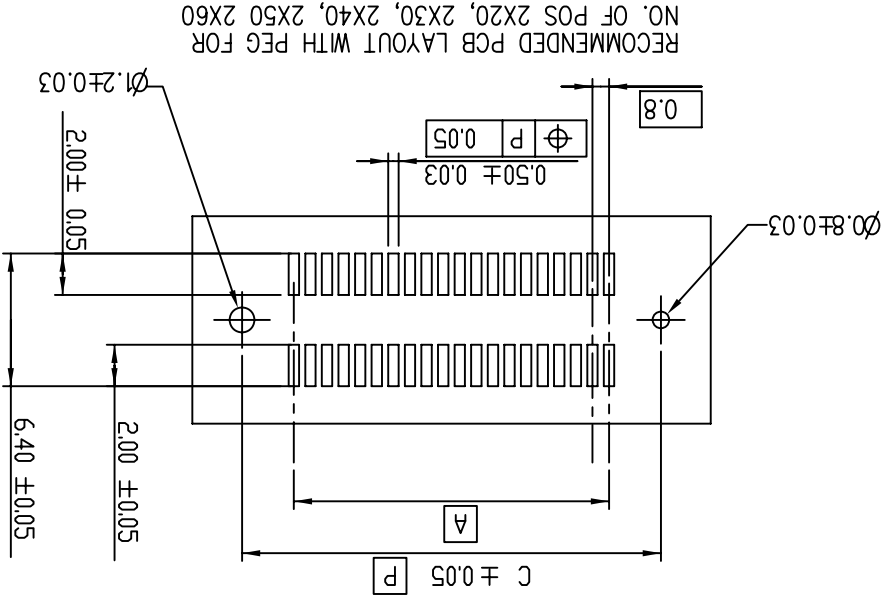
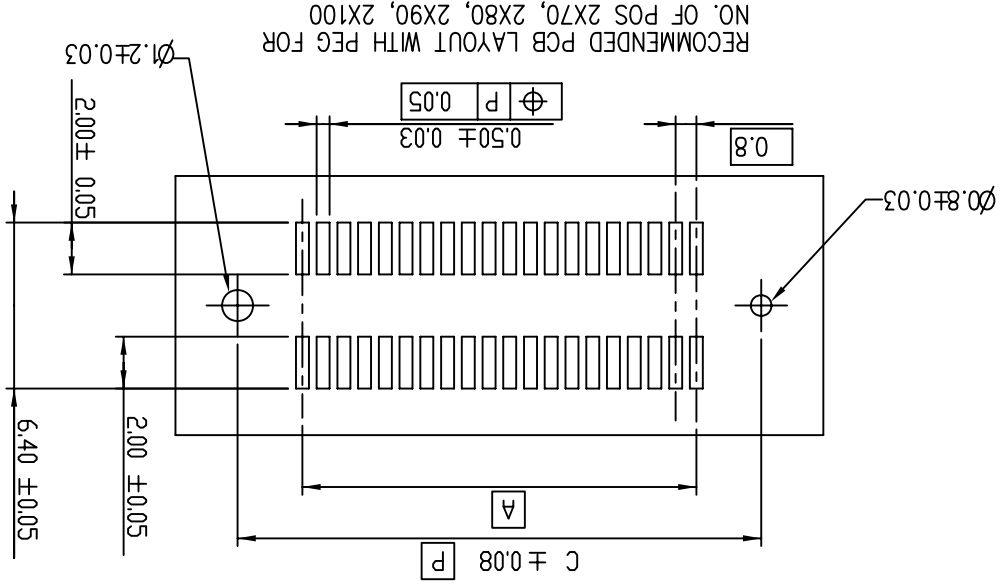
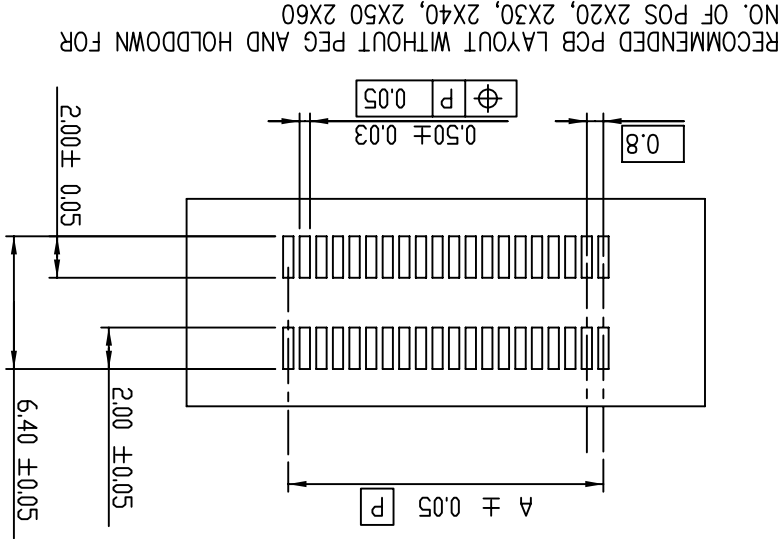
DETAIL D
 SCALE 10:1

dr	Guomin Sun	2014-10-21	projection	mm	size	A3	scale	3:1
eng	Guomin Sun	2014-10-21						
chr	ZK Hu	2014-10-21						
appr	Feagle Pan	2014-10-21	product family	Bergstak	rel level			
title		BERGSTAK 0.8mm BTB		dwg no		61083		
www.fci.com		cat. no.		Product		Customer drw		
sheet 5 of 6		Product		Customer drw		sheet 5 of 6		

PLUG 4



FOR PLUG 1/2/3/4



dr	Guomin Sun	2014-10-21	projection	mm	size	A3	scale	3:1
eng	Guomin Sun	2014-10-21						
chr	ZK Hu	2014-10-21						
appr	Feagle Pan	2014-10-21	product family	Bergstak	rel level		RELEASE	
www.fci.com	cat. no.		title	BERGSTAK 0.8mm BTB	dwg no	61083	rev	AG
Product - Customer drw		sheet 6 of 6						

X-ON Electronics

Largest Supplier of Electrical and Electronic Components

Click to view similar products for [Headers & Wire Housings](#) category:

Click to view products by [FCT Electronics](#) manufacturer:

Other Similar products are found below :

[95000-104TRLF](#) [10135584-644402LF](#) [DF62W-EP2022PCA](#) [95000-106TRLF](#) [DF62W-2022SCA](#) [DF62W-EP2022PC](#) [2203348](#) [DF62W-2022SC](#) [1084018](#) [1029039](#) [1084017](#) [802-10-012-10-002000](#) [1112640](#) [1112639](#) [891-007-9SS-BST1T](#) [000-34000](#) [0008550134](#) [0009482033](#) [0009507031](#) [57102-F02-18ULF](#) [57102-S06-03LF](#) [57202-S52-04LF](#) [PCN6-15S-2.5E](#) [0039019024](#) [58102-G61-06LF](#) [582553-1](#) [0009485154](#) [0009508121](#) [009176003701906](#) [0022285053](#) [0050291907](#) [018731A](#) [LY20-4P-DT1-P1E-BR](#) [02.125.8002.8](#) [60101931](#) [60598-1 \(Cut Strip\)](#) [M1625-3R/100](#) [61062-3](#) [61082-181009](#) [CSU011177004](#) [636-1427](#) [638009-1](#) [641938-9](#) [641991-4](#) [644168-1](#) [644827-2](#) [647662-1](#) [65039-019ELF](#) [65692-001LF](#) [65781-018](#)