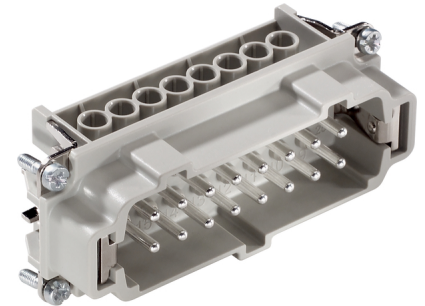


U.I. Lapp GmbH	<h1>DATASHEET</h1>	
	<b>EPIC® KIT H-BE 16 SS TS M25</b>	75009646 07.11.2014

Standard inserts with screw termination, crimp termination, cage clamp termination and Push-In termination  
Standard inserts with screw, crimp cage clamp and Push-In termination  
The EPIC® H-BE series is suitable for applications that require a reliable connection when working with high voltages and currents



Industrial machinery and plant engineering



Robust



Temperature-resistant

#### Info

Multifunctional insert for versatile applications  
Screw, crimp, cage clamp and Push-In version - freely combinable  
Also as EPIC® H-BE 32 available

#### Application range

Mechanical engineering  
Light & sound technology  
Plastics industry

#### Remark

Photographs are not to scale and do not represent detailed images of the respective products.

Product Management	Document: EPIC® KIT H-BE 16 SS TS M25	1 / 5
--------------------	---------------------------------------	-------

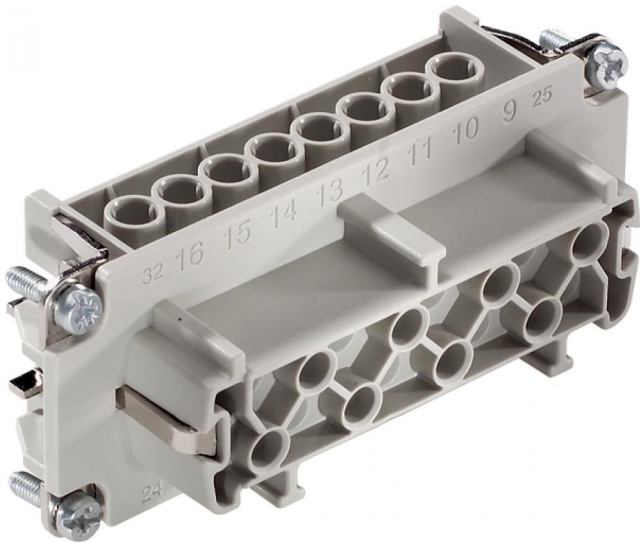
U.I. Lapp GmbH	<b>DATASHEET</b>	
	<b>EPIC® KIT H-BE 16 SS TS M25</b>	75009646 07.11.2014

### Technical Data

Article number:	75009646
Pieces / PU:	1
Rated voltage (V):	IEC: 500 V UL: 600 V CSA: 600 V
Rated impulse voltage:	6 kV
Rated current (A):	IEC: 16 A UL: 16 A CSA: 16 A
Contact resistance:	< 2 mOhm
Contacts:	Copper alloy, hard silver-plated
Number of contacts:	16 + PE
Termination methods:	Screw termination: 0.5 - 2.5 mm <sup>2</sup>
Cycle of mechanical operation:	100
Temperature range:	-40°C to +100°C, short-term up to +125°C
VDE-tested:	Certified production control: VDE-REG. no.: B437 UL-tested: UL File Number: E75770
Degree of soiling:	3

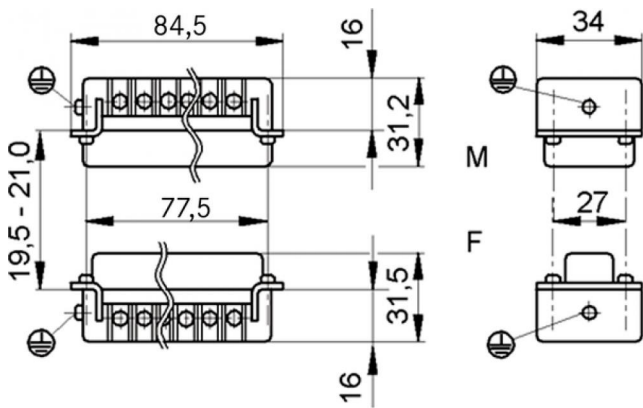
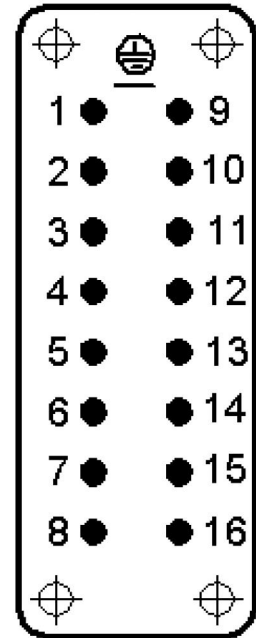
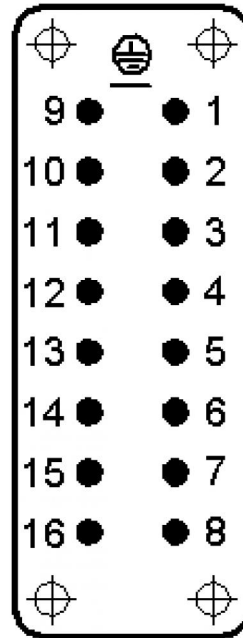
Product Management	Document: EPIC® KIT H-BE 16 SS TS M25	2 / 5
--------------------	---------------------------------------	-------

U.I. Lapp GmbH	<h1>DATASHEET</h1>	
	<b>EPIC® KIT H-BE 16 SS TS M25</b>	75009646 07.11.2014



**M**

**F**



Product Management	Document: EPIC® KIT H-BE 16 SS TS M25	3 / 5
--------------------	---------------------------------------	-------

U.I. Lapp GmbH	<h1>DATASHEET</h1>	
	<b>EPIC® KIT H-BE 16 SS TS M25</b>	75009646 07.11.2014

Housing design H-B. The industry standard.  
The housing standard. Wide choice for all applications



Automation



Industrial machinery and plant engineering



Mechanical resistance



Robust



Waterproof



### Info

Universal, robust metal housings size H-B 16

### Application range

Plant engineering  
Light & sound technology  
Plastics industry

### Product features

Hood, low version  
Bolts for double lever  
Side cable entry  
Versions with neck

### Remark

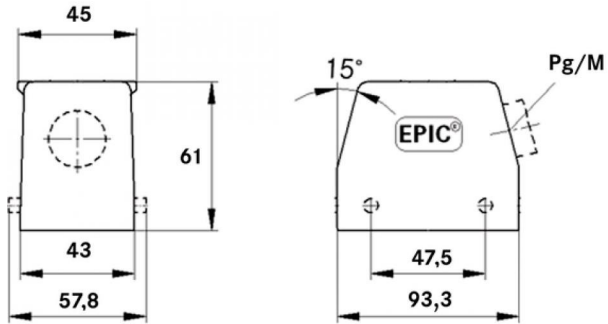
Photographs are not to scale and do not represent detailed images of the respective products.

### Technical Data

Article number:	75009646
Pieces / PU:	1
Material:	Housing: powder-coated aluminium alloy, grey Lever: zinc-plated steel Sealing: NBR
Protection rating:	IP 65 (latched)
Temperature range:	-40°C to +100°C, short-term up to +125°C

Product Management	Document: EPIC® KIT H-BE 16 SS TS M25	4 / 5
--------------------	---------------------------------------	-------

U.I. Lapp GmbH	<h1>DATASHEET</h1>	 <b>LAPP GROUP</b>
	<b>EPIC® KIT H-BE 16 SS TS M25</b>	75009646 07.11.2014



Product Management	Document: EPIC® KIT H-BE 16 SS TS M25	5 / 5
--------------------	---------------------------------------	-------

## X-ON Electronics

Largest Supplier of Electrical and Electronic Components

*Click to view similar products for [Standard Circular Connector](#) category:*

*Click to view products by [Lapp Kabel](#) manufacturer:*

Other Similar products are found below :

[C015 10F006 001 1](#) [5M2530B10P](#) [600247N007](#) [600259N006](#) [600273N007](#) [600432N009](#) [6280-2PG-519](#) [6280-3PG-311](#) [6280-3SG-311](#)  
[6280-7SG-3DC](#) [6280-7SG-522](#) [6282-5PG-311](#) [6282-6PG-519](#) [6282-8SG-311](#) [6283-11](#) [6283-15](#) [6290](#) [6293](#) [6382-2PG-311](#) [6382-2PG-3DC](#)  
[6382-2SG-321](#) [6382-2SG-3DC](#) [6382-4SG-516](#) [67-03E20-37P](#) [681-PMG](#) [CXS3102A14S2P](#) [CXS3102A181S](#) [CXS3106A14S6S](#)  
[D38999/20FC8SA L/C](#) [MB12P-1](#) [MB12R-6](#) [7251-2PG-300](#) [7251-2SG-300](#) [7251-4PG-300](#) [7251-4SG-300](#) [7251-5PG-300](#) [7251-5SG-300](#)  
[7251-6SG-300](#) [7251-7PG-300](#) [7251-8PG-300](#) [7271-6SG-300](#) [7282-3PG-300-CH3](#) [73000005663](#) [75-190011-03P](#) [75-190216-08S](#) [75-190218-](#)  
[10P](#) [75-214636-52P](#) [75-474118-10P](#) [75-474211-03P](#) [75-474218-19S](#)