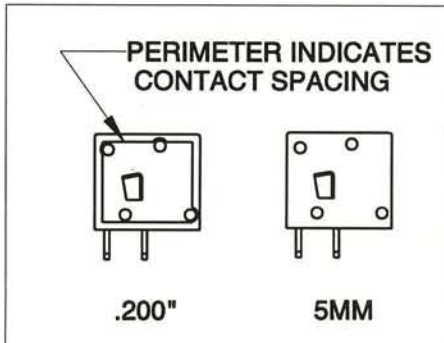
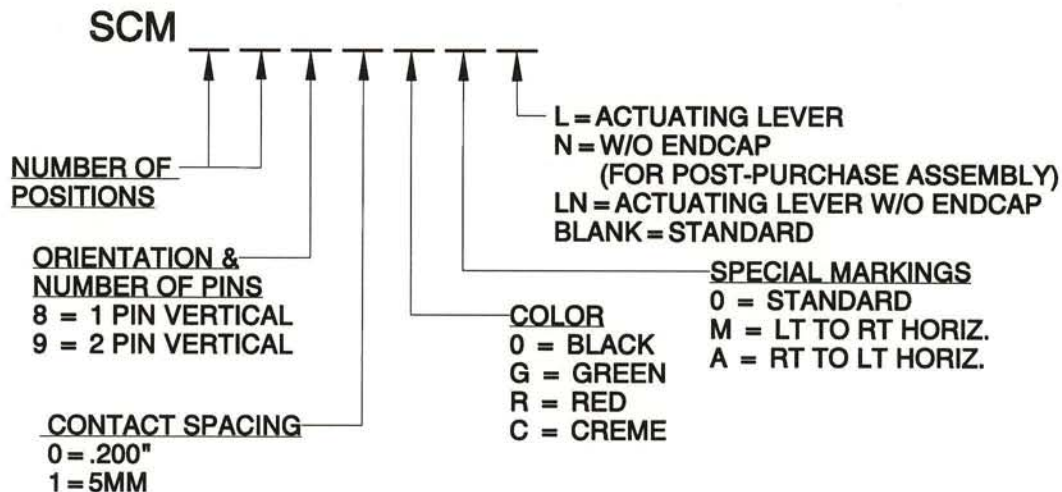


SCM SERIES, VERTICAL WIRE ENTRY PART NUMBERING SCHEME

REV	ECN	APP'D
A	4062	JEC 8/25/00
B	4241	IQ 1/2/01
C	4631	IQ 10/26/01
D	4781	IQ 3/7/02
E	4929	IQ 8/8/02
F	5742	12N 12/28/05



RU RATINGS

CURRENT - 20A
VOLTAGE - 300V
U.L. FILE NO. E83421

SP RATINGS

CURRENT - 20A
VOLTAGE - 300 V
CSA FILE NO. LR69703

DIN VDE 0627:1986
DIN VDE 0110-1:1989
EN 60947-1:1991
EN 60947-7-1:1992

CURRENT -20A
VOLTAGE - 300 V
TUV FILE NO. 20396

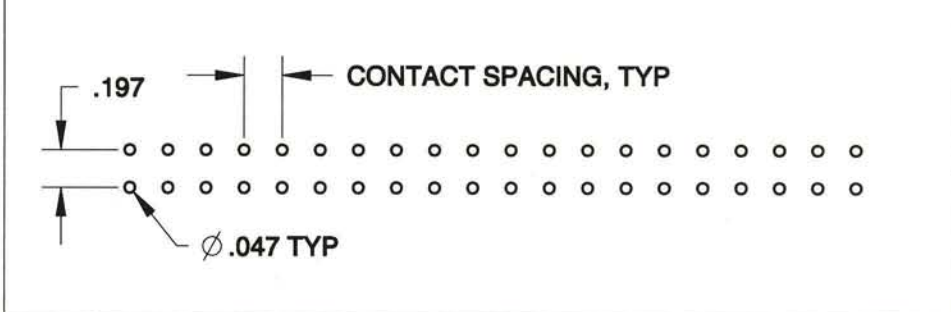
MATERIALS:
HOUSING / LEVER - NYLON, UL 94 V-0
SPRING CLAMP - STAINLESS STEEL
CONTACT - BRASS, TIN FINISH

INSTALLATION RECOMMENDATIONS:
WIRE RANGE - #12-28 AWG, SOLID OR STRANDED
WIRE STRIP LENGTH - .220

MAX OPERATING TEMP: 125° C

PART WITHSTANDS COMPONENT EQUILIBRIUM TEMP. OF 260° C FOR 3 MINUTES DURING SOLDERING PROCESS.

PRINTED CIRCUIT BOARD CONFIGURATION
RECOMMENDED THICKNESS: .062±.008
NOTE: ONLY ONE ROW NEEDED FOR 1 PIN CONNECTORS



DIMENSIONS	TOLERANCES	PROJECTION
ANSI Y14.5M UNITS: INCHES Pro/E FILE	.XX ±0.01 .XXX ±0.002 ANGLES ±2.0°	

Amphenol Pcd

ENGR
A. PATRIE 06-28-00

TITLE

**SCM SERIES
TERMINAL BLOCK ASSEMBLY
VERTICAL WIRE ENTRY**

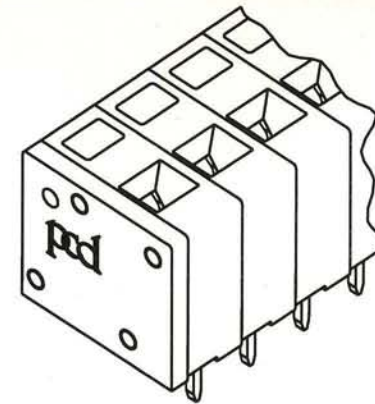
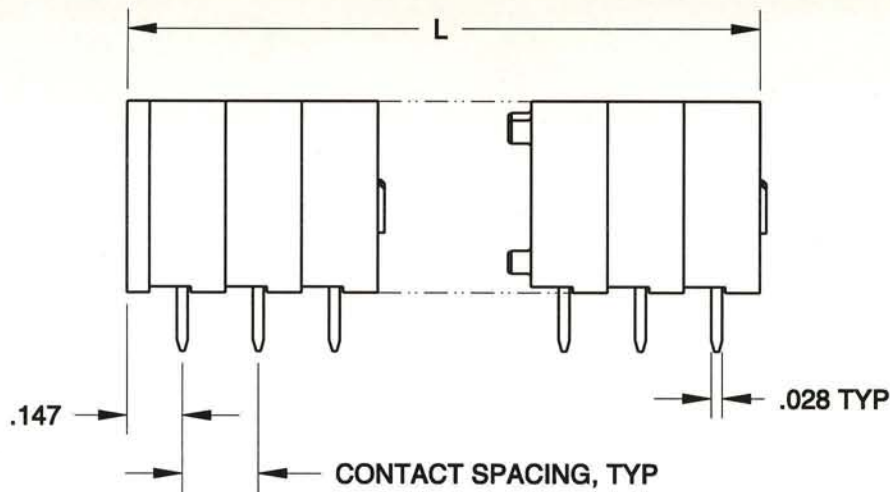
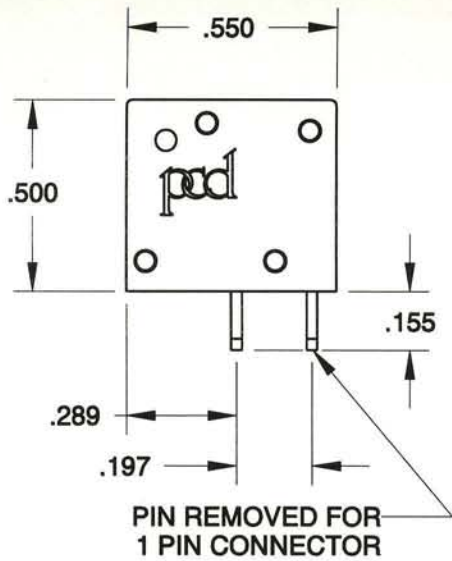
ORIGINAL STAMPED IN RED

THIS DOCUMENT CONTAINS PROPRIETARY INFORMATION WHICH IS THE CONFIDENTIAL PROPERTY OF AMPHENOL PCD, INC. PEABODY, MA, USA

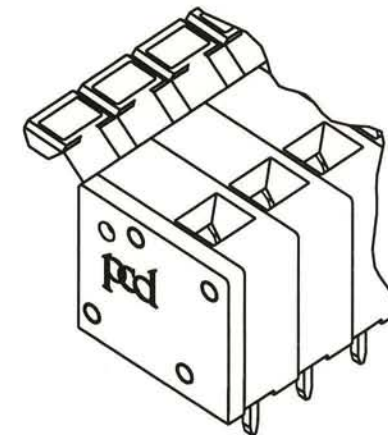
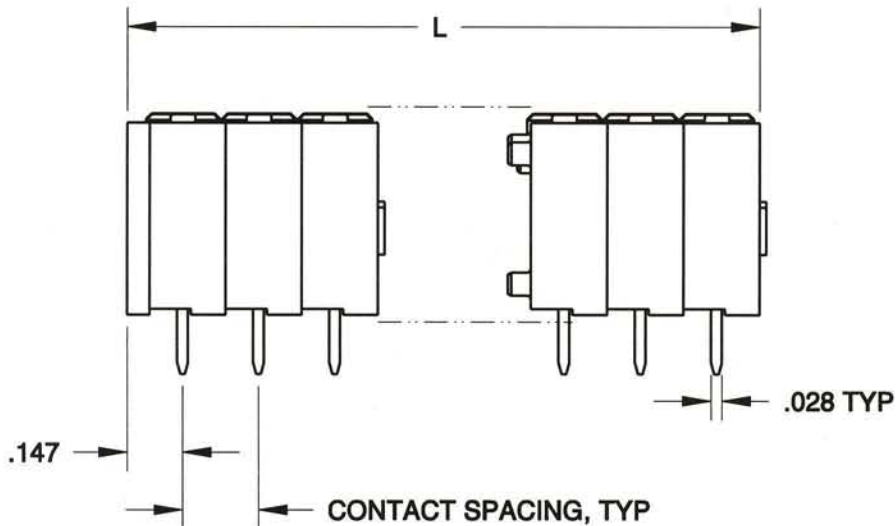
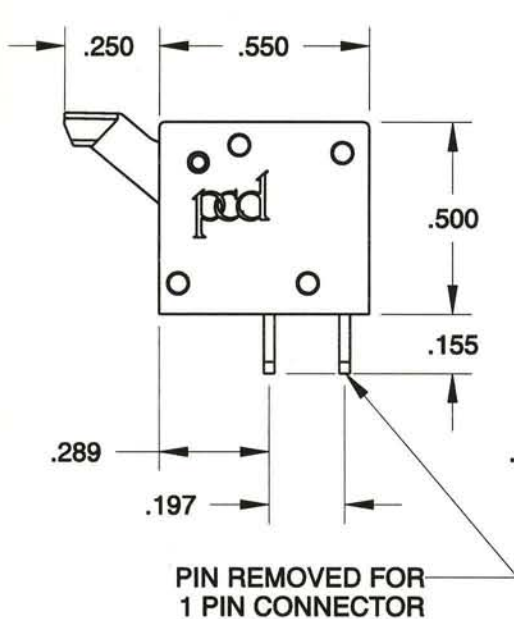
CHKD
I. QUINN 8/29/00

APPD
J. CAHALY 8/25/00

SIZE	DWG NO.	REV
A	SCM018000	F
CODE: 58982	SCALE: NONE	SHEET 1 OF 2



STANDARD



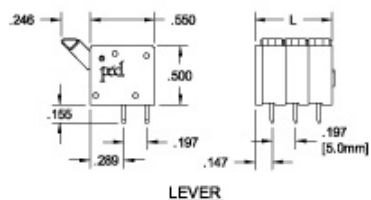
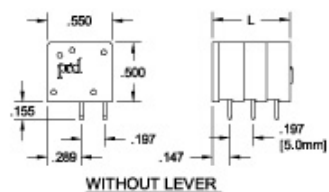
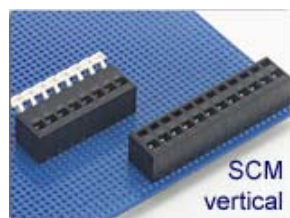
ACTUATING LEVER

L = NUMBER OF POS. X CONTACT SPACING + .060
TYPICAL ALL CONFIGURATIONS



SIZE	DWG NO.	REV
A	SCM018000	F
CODE: 58982	SCALE: NONE	SHEET 2 OF 2

5.0mm (.197") SCM Wire -to- Board



Download part [PDF File](#)

Download part [DXF File](#)

Pos	Catalog # w/o Lever	Catalog # Lever	L (mm)
2	SCM029100	SCM029100L	11.5
3	SCM039100	SCM039100L	16.5
4	SCM049100	SCM049100L	21.5
5	SCM059100	SCM059100L	26.5
6	SCM069100	SCM069100L	31.5
7	SCM079100	SCM079100L	36.5
8	SCM089100	SCM089100L	41.5
9	SCM099100	SCM099100L	46.5
10	SCM109100	SCM109100L	51.5
11	SCM119100	SCM119100L	56.5
12	SCM129100	SCM129100L	61.5
13	SCM139100	SCM139100L	66.5
14	SCM149100	SCM149100L	71.5
15	SCM159100	SCM159100L	76.5
16	SCM169100	SCM169100L	81.5
17	SCM179100	SCM179100L	86.5
18	SCM189100	SCM189100L	91.5
19	SCM199100	SCM199100L	96.5
20	SCM209100	SCM209100L	101.5

Variations

Marking

Product Line Overview

SCM 5.0mm spring clamp terminal blocks are rated at 20A/300V—the highest in the industry—and are supplied in horizontal, angled and vertical configurations.

Two Modes of Operation

Individual spring contact clamps are depressed to insert or remove wires by either actuating a finger lever or inserting a flat-bladed screwdriver in an actuation slot on the block.

SMT Compatibility

The SCM is the only spring clamp terminal block available which is suitable for SMT reflow solder PCB manufacturing processes as well as wave solder; providing users with additional flexibility and maximizing production efficiencies by eliminating secondary solder operations. Blocks are molded of ultra-high-temperature, glass-filled polyamide that will withstand temperatures of 260° C during PCB production.

SPECIFICATIONS:

Current Rating: 20A
 Operating Voltage: 300V
 Insulation Resistance: >103 Megohms
 Dielectric Withstanding: <1600V
 Wire Pullout Force:
 Per UL 486E, Section 14

MATERIALS:

Housing/Lever: PA, UL 94V-0, black
 Contact: Brass, tin-lead finish
 Spring Clamp: Stainless steel

INSTALLATION:

Wire Range: 12-28 AWG
 Wire Strip Length: .220"
 Hole Diameter: .047 min.

APPROVALS:



Consult factory for specific product recognitions

[Back to Home Page](#)

© Amphenol Pcd

X-ON Electronics

Largest Supplier of Electrical and Electronic Components

Click to view similar products for [Fixed Terminal Blocks](#) category:

Click to view products by [Amphenol](#) manufacturer:

Other Similar products are found below :

[00175550202](#) [MBE-1512](#) [MBE-1520](#) [MBE-154](#) [MBE-156](#) [MBES-1510](#) [MBES-153](#) [MBES-156](#) [MH-2512](#) [MHE-132](#) [MHE-133](#) [MHE-163](#)
[MI-254 \(35\)](#) [MI-272](#) [8739](#) [880507](#) [880508](#) [MPT-275](#) [1546551-6](#) [ELM023100](#) [ELM10110G](#) [ELVD12100](#) [BA311TU](#) [BA411SU](#) [MV-152](#)
[MV-253/NCNOC](#) [MV-254-D](#) [MV-255](#) [MV-462](#) [MV-472](#) [MV-493](#) [MVE-252](#) [MVE-253](#) [MVE-258](#) [MVE-273](#) [MVEB-153](#) [1700096](#)
[1702246](#) [1705142](#) [1712417](#) [1713020](#) [1713088](#) [1776118-2](#) [1790852](#) [1-796689-8](#) [1-796692-6](#) [1800001](#) [1800114](#) [1823215](#) [1838462](#)