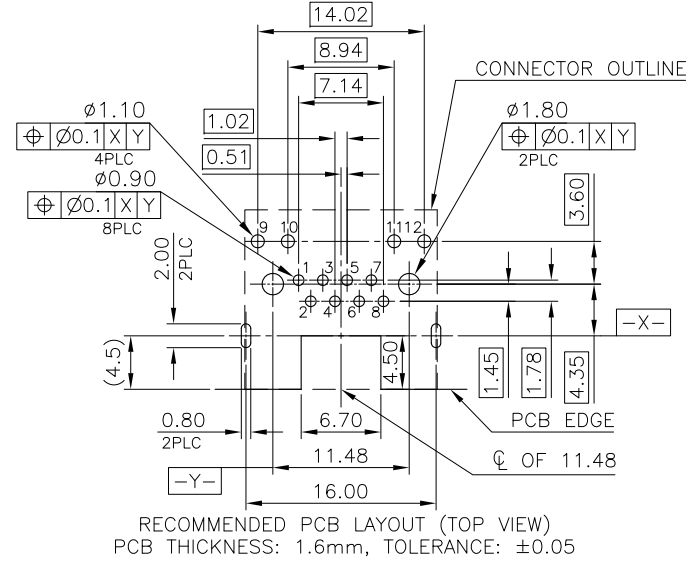
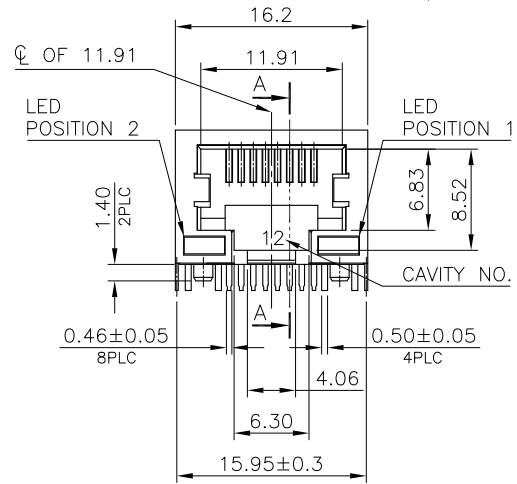
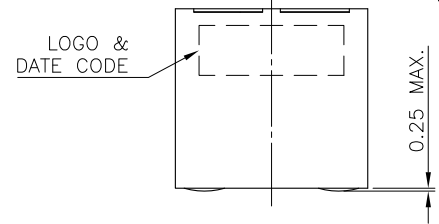
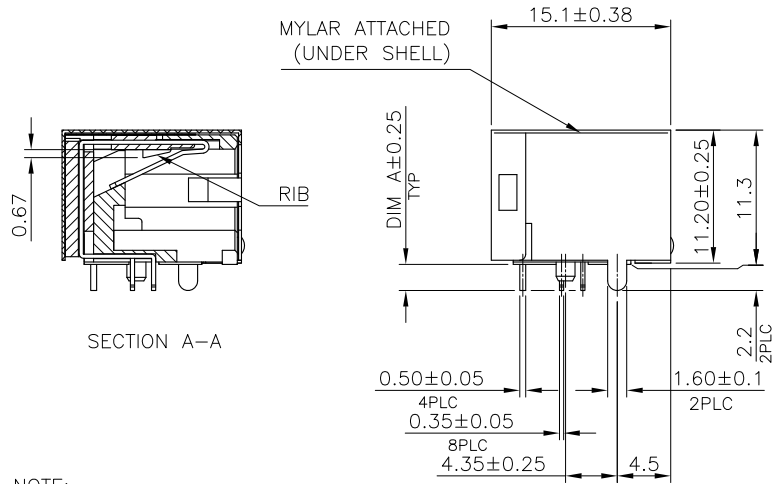
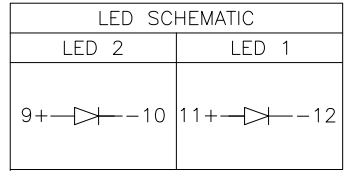
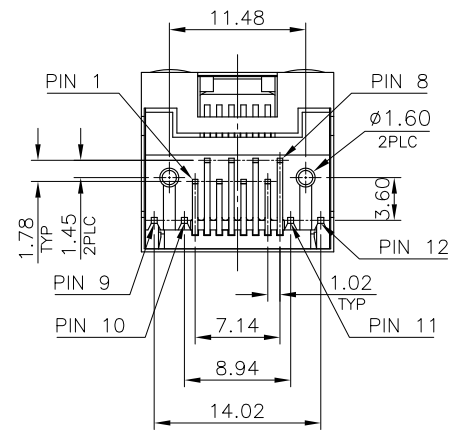


THIS DRAWING IS UNPUBLISHED.  
 RELEASED FOR PUBLICATION  
 © COPYRIGHT 2010 BY TYCO ELECTRONICS CORPORATION. ALL RIGHTS RESERVED.

LOC		DIST		REVISIONS					
DW				P	LTR	DESCRIPTION	DATE	DWN	APVD
				A5		REVISED (ECR-12-012115) OBSOLETE 1734324-6, 3-134324-4	26OCT'12	E.L.	W.K.



- NOTE:
- MATERIAL:
    - HOUSING: PA46, WITH 30% GF, UL94 V-0, BLACK COLOR.
    - INSERT HOUSING: PA46, WITH 30% GF, UL94 V-0, BLACK COLOR.
    - CONTACTS: PHOSPHOR BRONZE.
    - SHELL: BRASS.
    - LED SOLDER TAIL: STEEL.
    - MYLAR: SILICONE POLYMER.
  - FINISH:
    - CONTACTS: (SEE TABLE) GOLD PLATED ON CONTACT AREA. GOLD FLASH ON SOLDER TAIL. 1.27um [50u"] MIN. NICKEL UNDERPLATED OVERALL.
    - SHELL: 0.508um [20u"] MIN. NICKEL PLATED.
    - LED: 1.02um [40u"] COPPER UNDERPLATED OVERALL. 1.27um [50u"] NICKEL OVERALL. 1.27um [50u"] SILVER ON BONDING AREA. 2.54um [100u"] BRIGHT-TIN ON SOLDER AREA.
  - LED MUST BE REFLOW COMPATIBLE TO FOLLOWING TEMPERATURE PROFILE (FOR 1 CYCLE): ABOVE 160°C FOR 120 SECONDS, PEAKING AT 220°C FOR 10 SECONDS.
  - LED DEFECT RATE IS 6000 PPM MAX. AFTER IR REFLOW PROCESS AS NOTE 3.
  - WAVE SOLDER CAPABLE TO 265°C PER TE SPEC 109-202, CONDITION B.
  - OBsolete PARTS: OBSOLETE CIS STREAMLINING PER D.RENAUD/D.SINISI.



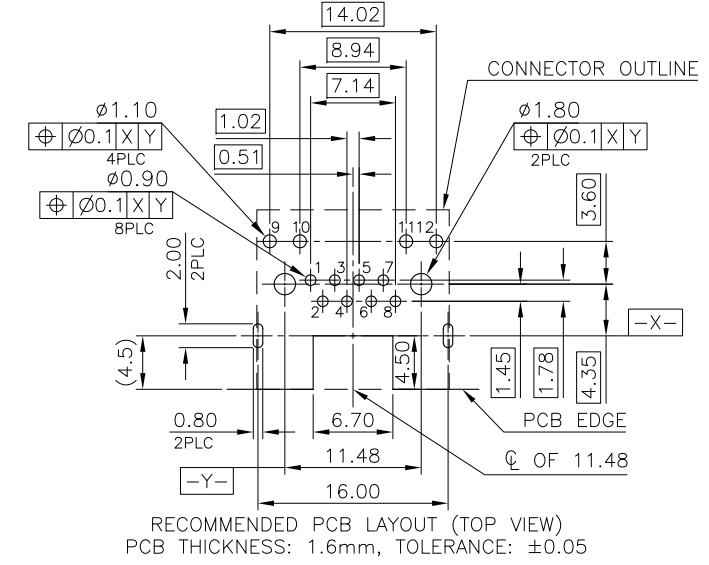
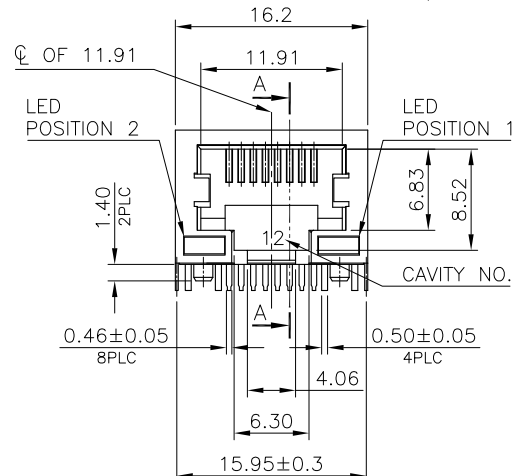
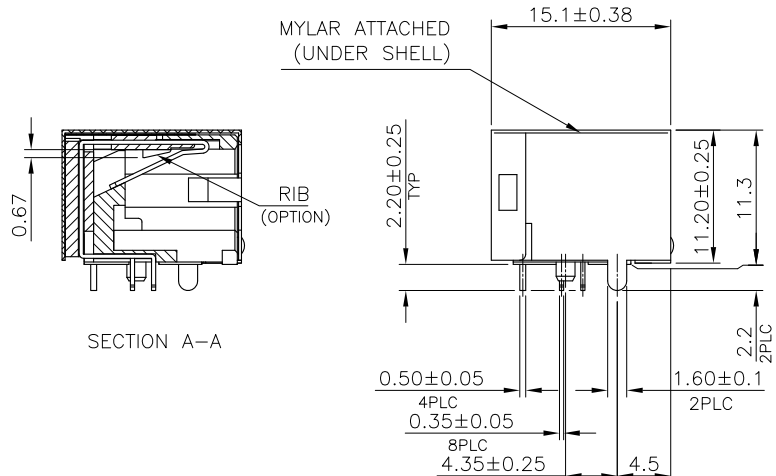
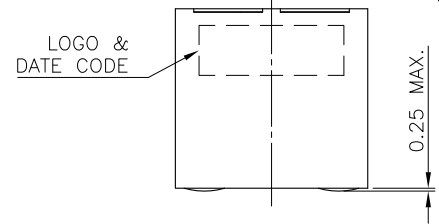
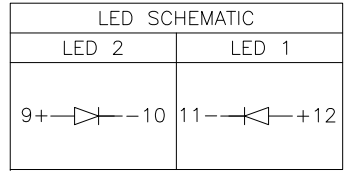
6	OBSOLETE	REEL	YELLOW	GREEN	1.27um[50u"]	1-1734324-8
					0.762um[30u"]	<del>1-1734324-7</del>
6	OBSOLETE	2.2	GREEN	YELLOW	0.381um[15u"]	<del>1-1734324-6</del>
					0.152um[6u"]	<del>1-1734324-5</del>
6	OBSOLETE	TRAY	YELLOW	GREEN	1.27um[50u"]	<del>1-1734324-4</del>
					0.762um[30u"]	1734324-7
6	OBSOLETE	TRAY	YELLOW	GREEN	0.381um[15u"]	1-1734324-2
					0.152um[6u"]	<del>1-1734324-4</del>
6	OBSOLETE	TRAY	GREEN	YELLOW	1.27um[50u"]	<del>1734324-8</del>
					0.762um[30u"]	1734324-7
6	OBSOLETE	TRAY	GREEN	YELLOW	0.381um[15u"]	<del>1734324-6</del>
					0.152um[6u"]	1734324-5
6	OBSOLETE	TRAY	GREEN	YELLOW	1.27um[50u"]	<del>1734324-4</del>
					0.762um[30u"]	1734324-3
6	OBSOLETE	TRAY	GREEN	YELLOW	0.381um[15u"]	<del>1734324-2</del>
					0.152um[6u"]	1734324-1
PACKAGE	DIM A	POSITION 2	POSITION 1	MIN. GOLD THICKNESS	PART NUMBER	
		INDICATOR COLOR				

THIS DRAWING IS A CONTROLLED DOCUMENT.

DIMENSIONS: mm	TOLERANCES UNLESS OTHERWISE SPECIFIED:	DWN A. WU 04MAR2008	TE Connectivity MODULAR JACK CONNECTOR RJ45 WITH LED, 8P8C, SHIELDED TAB DOWN, DIP TYPE, H=11.3mm
	0 PLC ± - 1 PLC ± 0.3 2 PLC ± 0.2 3 PLC ± 0.15 4 PLC ± 0.1 ANGLES ± ± 3'	CHK S. HOU 04MAR2008	
MATERIAL	FINISH	APVD W. KODAMA 04MAR2008	
SEE NOTE	SEE NOTE	NAME PRODUCT SPEC 108-57535	
		APPLICATION SPEC	SIZE CAGE CODE DRAWING NO RESTRICTED TO
		WEIGHT 4.5 GRAMS	A3 00779 C=1734324
		CUSTOMER DRAWING	SCALE SHEET 1 OF 7 REV A5

THIS DRAWING IS UNPUBLISHED.  
 RELEASED FOR PUBLICATION  
 © COPYRIGHT 2010 BY TYCO ELECTRONICS CORPORATION. ALL RIGHTS RESERVED.

LOC		DIST		REVISIONS					
DW				P	LTR	DESCRIPTION	DATE	DWN	APVD
SEE SHEET 1.									



- NOTE:
- MATERIAL:
    - HOUSING: PA46, WITH 30% GF, UL94 V-0, BLACK COLOR.
    - INSERT HOUSING: PA46, WITH 30% GF, UL94 V-0, BLACK COLOR.
    - CONTACTS: PHOSPHOR BRONZE.
    - SHELL: BRASS.
    - LED SOLDER TAIL: STEEL.
    - MYLAR: SILICONE POLYMER.
  - FINISH:
    - CONTACTS: (SEE TABLE) GOLD PLATED ON CONTACT AREA. GOLD FLASH ON SOLDER TAIL. 1.27um [50u"] MIN. NICKEL UNDERPLATED OVERALL.
    - SHELL: 0.508um [20u"] MIN. NICKEL PLATED.
    - LED: 1.02um [40u"] COPPER UNDERPLATED OVERALL. 1.27um [50u"] NICKEL OVERALL. 1.27um [50u"] SILVER ON BONDING AREA. 2.54um [100u"] BRIGHT-TIN ON SOLDER AREA.
  - LED MUST BE REFLOW COMPATIBLE TO FOLLOWING TEMPERATURE PROFILE (FOR 1 CYCLE): ABOVE 160°C FOR 120 SECONDS, PEAKING AT 220°C FOR 10 SECONDS.
  - LED DEFECT RATE IS 6000 PPM MAX. AFTER IR REFLOW PROCESS AS NOTE 3.
  - WAVE SOLDER CAPABLE TO 265°C PER TE SPEC 109-202, CONDITION B.
- ⚠️ OBSOLETE PARTS: OBSOLETE CIS STREAMLINING PER D.RENAUD/D.SINISI.

⚠️ OBSOLETE	W/O TAPE & REEL	YELLOW	GREEN	1.27um[50u"]	<del>3-1734324-8</del>
				0.762um[30u"]	<del>3-1734324-7</del>
				0.381um[15u"]	<del>3-1734324-6</del>
⚠️ OBSOLETE	W/O TAPE & REEL	GREEN	YELLOW	0.152um[6u"]	<del>3-1734324-5</del>
				1.27um[50u"]	<del>3-1734324-4</del>
				0.762um[30u"]	<del>3-1734324-3</del>
⚠️ OBSOLETE	W/ TRAY	YELLOW	GREEN	0.381um[15u"]	<del>3-1734324-2</del>
				0.152um[6u"]	<del>3-1734324-1</del>
				1.27um[50u"]	<del>2-1734324-8</del>
⚠️ OBSOLETE	W/ TRAY	GREEN	YELLOW	0.762um[30u"]	<del>2-1734324-7</del>
				0.381um[15u"]	<del>2-1734324-6</del>
				0.152um[6u"]	<del>2-1734324-5</del>
⚠️ OBSOLETE	W/ TRAY	GREEN	YELLOW	1.27um[50u"]	<del>2-1734324-4</del>
				0.762um[30u"]	<del>2-1734324-3</del>
				0.381um[15u"]	<del>2-1734324-2</del>
⚠️ OBSOLETE	W/ TRAY	YELLOW	GREEN	0.152um[6u"]	<del>2-1734324-1</del>
				1.27um[50u"]	<del>2-1734324-8</del>
				0.762um[30u"]	<del>2-1734324-7</del>
RIB PACKAGE		POSITION 2	POSITION 1	MIN. GOLD THICKNESS	PART NUMBER
		INDICATOR COLOR			

THIS DRAWING IS A CONTROLLED DOCUMENT.

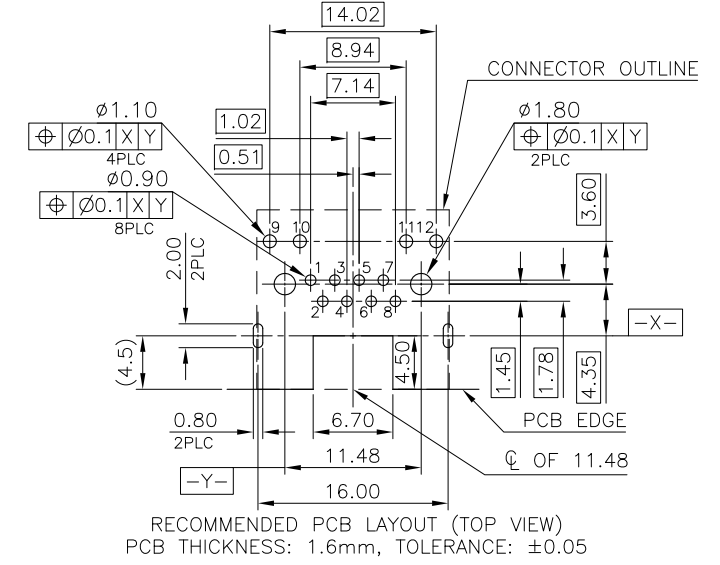
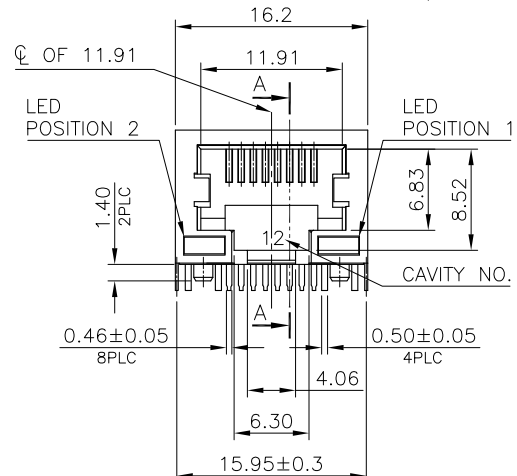
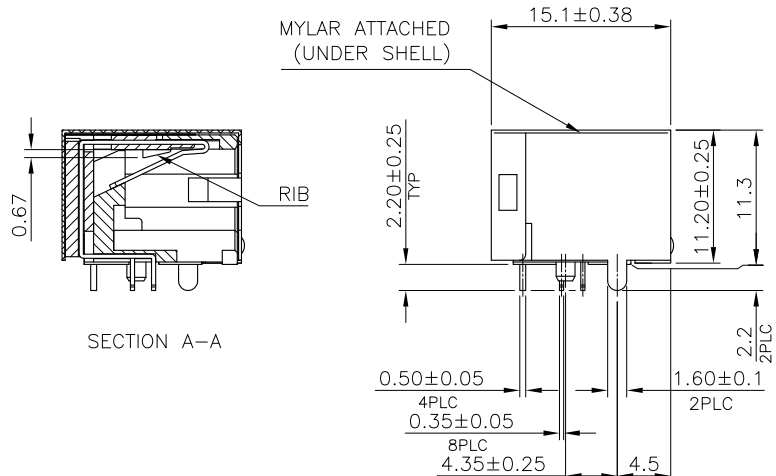
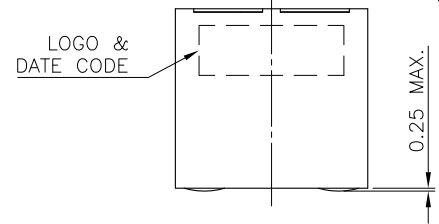
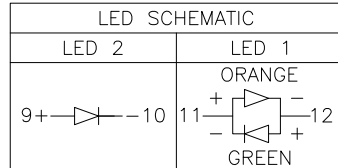
DIMENSIONS: mm	TOLERANCES UNLESS OTHERWISE SPECIFIED:	DWN	
	0 PLC ± -	CHK	
	1 PLC ± 0.3	APVD	
	2 PLC ± 0.2	PRODUCT SPEC	
	3 PLC ± 0.15	APPLICATION SPEC	
	4 PLC ± 0.1	WEIGHT	
	ANGLES ± 3'	CUSTOMER DRAWING	
MATERIAL	FINISH	SIZE	CAGE CODE
		A3	00779
		DRAWING NO	C=1734324
		RESTRICTED TO	
		SCALE	SHEET 2 of 7
			REV A5

STE TE Connectivity

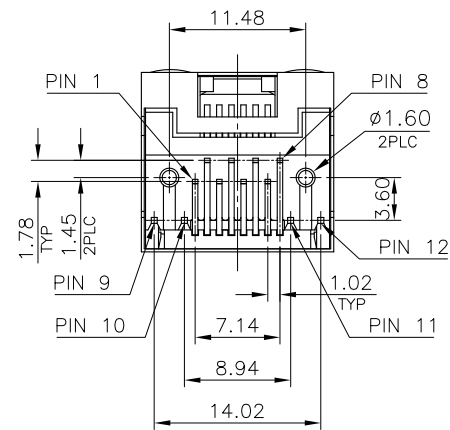
MODULAR JACK CONNECTOR  
 RJ45 WITH LED, 8P8C, SHIELDED  
 TAB DOWN, DIP TYPE, H=11.3mm

THIS DRAWING IS UNPUBLISHED. RELEASED FOR PUBLICATION  
 © COPYRIGHT 2010 BY TYCO ELECTRONICS CORPORATION. ALL RIGHTS RESERVED.

LOC		DIST		REVISIONS					
DW				P	LTR	DESCRIPTION	DATE	DWN	APVD
SEE SHEET 1.									



- NOTE:
- MATERIAL:
    - HOUSING: PA46, WITH 30% GF, UL94 V-0, BLACK COLOR.
    - INSERT HOUSING: PA46, WITH 30% GF, UL94 V-0, BLACK COLOR.
    - CONTACTS: PHOSPHOR BRONZE.
    - SHELL: BRASS.
    - LED SOLDER TAIL: STEEL.
    - MYLAR: SILICONE POLYMER.
  - FINISH:
    - CONTACTS: (SEE TABLE) GOLD PLATED ON CONTACT AREA. GOLD FLASH ON SOLDER TAIL. 1.27µm [50u"] MIN. NICKEL UNDERPLATED OVERALL.
    - SHELL: 0.508µm [20u"] MIN. NICKEL PLATED.
    - LED: 1.02µm [40u"] COPPER UNDERPLATED OVERALL. 1.27µm [50u"] NICKEL OVERALL. 1.27µm [50u"] SILVER ON BONDING AREA. 2.54µm [100u"] BRIGHT-TIN ON SOLDER AREA.
  - LED MUST BE REFLOW COMPATIBLE TO FOLLOWING TEMPERATURE PROFILE (FOR 1 CYCLE): ABOVE 160°C FOR 120 SECONDS, PEAKING AT 220°C FOR 10 SECONDS.
  - LED DEFECT RATE IS 6000 PPM MAX. AFTER IR REFLOW PROCESS AS NOTE 3.
  - WAVE SOLDER CAPABLE TO 265°C PER TE SPEC 109-202, CONDITION B.
  - OBsolete PARTS: OBsolete CIS STREAMLINING PER D.RENAUD/D.SINISI.

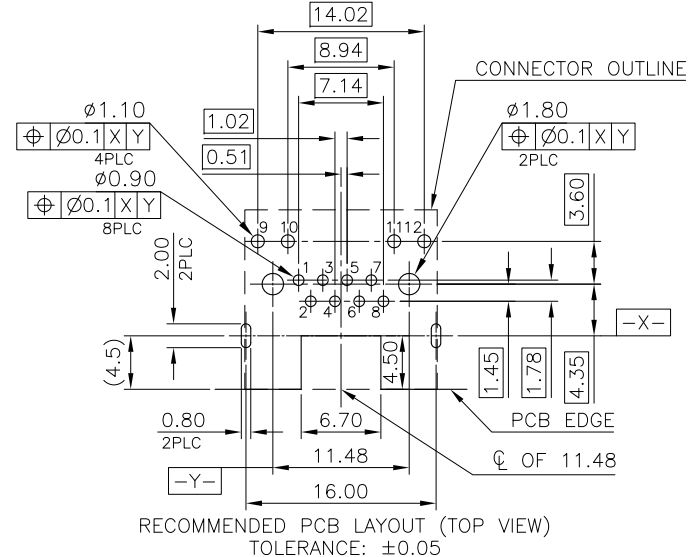
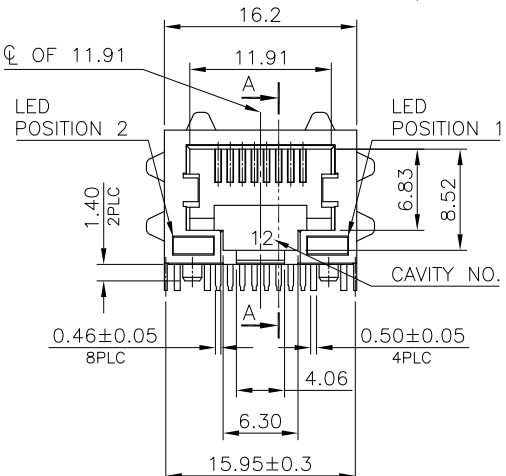
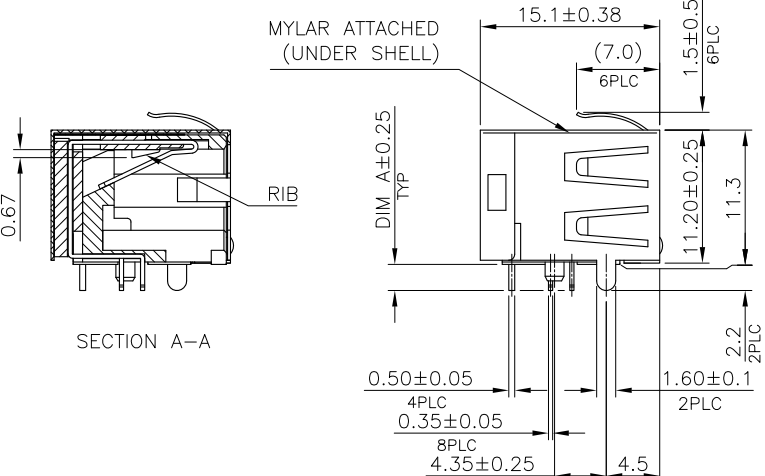
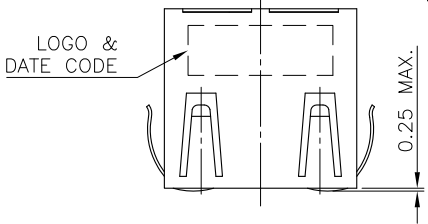
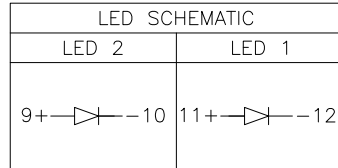


6	OBsolete	TRAY	GREEN	ORANGE/GREEN	1.27µm [50u"]	<del>4-1734324-4</del>
	0.762µm [30u"]				4-1734324-3	
6	OBsolete	PACKAGE	POSITION 2	POSITION 1	0.381µm [15u"]	<del>4-1734324-2</del>
					0.152µm [6u"]	<del>4-1734324-1</del>
			INDICATOR COLOR	MIN. GOLD THICKNESS	PART NUMBER	

THIS DRAWING IS A CONTROLLED DOCUMENT.		DWN	TE Connectivity			
DIMENSIONS: mm		CHK	NAME			
TOLERANCES UNLESS OTHERWISE SPECIFIED:		APVD	MODULAR JACK CONNECTOR			
0 PLC ± -		PRODUCT SPEC	RJ45 WITH LED, 8P8C, SHIELDED			
1 PLC ± 0.3		APPLICATION SPEC	TAB DOWN, DIP TYPE, H=11.3mm			
2 PLC ± 0.2		WEIGHT	SIZE	CAGE CODE	DRAWING NO	RESTRICTED TO
3 PLC ± 0.15			A3	00779	C=1734324	
4 PLC ± -		CUSTOMER DRAWING	SCALE	SHEET	3 of 7	REV A5
ANGLES ± 3'						
MATERIAL	FINISH					

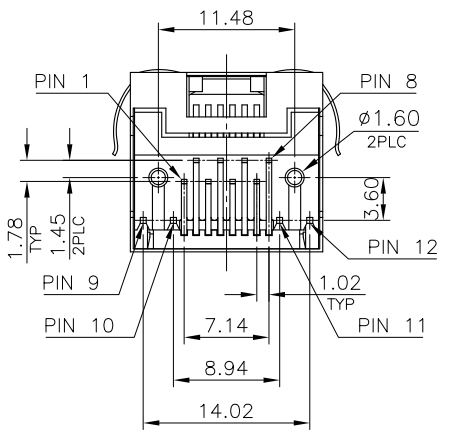
THIS DRAWING IS UNPUBLISHED. RELEASED FOR PUBLICATION  
 © COPYRIGHT 2010 BY TYCO ELECTRONICS CORPORATION. ALL RIGHTS RESERVED.

LOC	DIST	REVISIONS					
DW		P	LTR	DESCRIPTION	DATE	DWN	APVD
				SEE SHEET 1.			



RECOMMENDED PCB THICKNESS	DIM A
1.6	2.2
2.0	3.5

- NOTE:
- MATERIAL:
    - HOUSING: PA46, WITH 30% GF, UL94 V-0, BLACK COLOR.
    - INSERT HOUSING: PA46, WITH 30% GF, UL94 V-0, BLACK COLOR.
    - CONTACTS: PHOSPHOR BRONZE.
    - SHELL: BRASS.
    - LED SOLDER TAIL: STEEL.
    - MYLAR: SILICONE POLYMER.
  - FINISH:
    - CONTACTS: (SEE TABLE) GOLD PLATED ON CONTACT AREA. GOLD FLASH ON SOLDER TAIL. 1.27um [50u"] MIN. NICKEL UNDERPLATED OVERALL.
    - SHELL: 0.508um [20u"] MIN. NICKEL PLATED.
    - LED: 1.02um [40u"] COPPER UNDERPLATED OVERALL. 1.27um [50u"] NICKEL OVERALL. 1.27um [50u"] SILVER ON BONDING AREA. 2.54um [100u"] BRIGHT-TIN ON SOLDER AREA.
  - LED MUST BE REFLOW COMPATIBLE TO FOLLOWING TEMPERATURE PROFILE (FOR 1 CYCLE): ABOVE 160°C FOR 120 SECONDS, PEAKING AT 220°C FOR 10 SECONDS.
  - LED DEFECT RATE IS 6000 PPM MAX. AFTER IR REFLOW PROCESS AS NOTE 3.
  - WAVE SOLDER CAPABLE TO 265°C PER TE SPEC 109-202, CONDITION B.



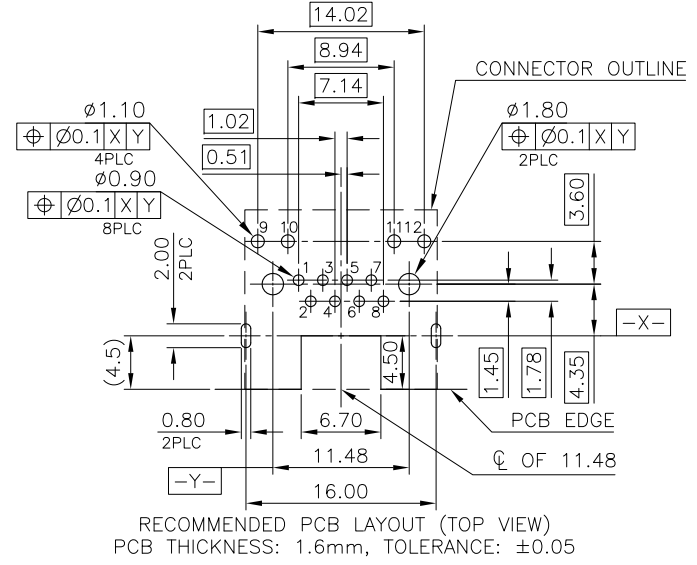
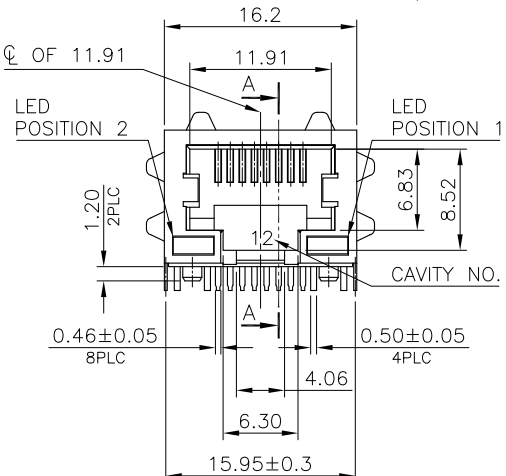
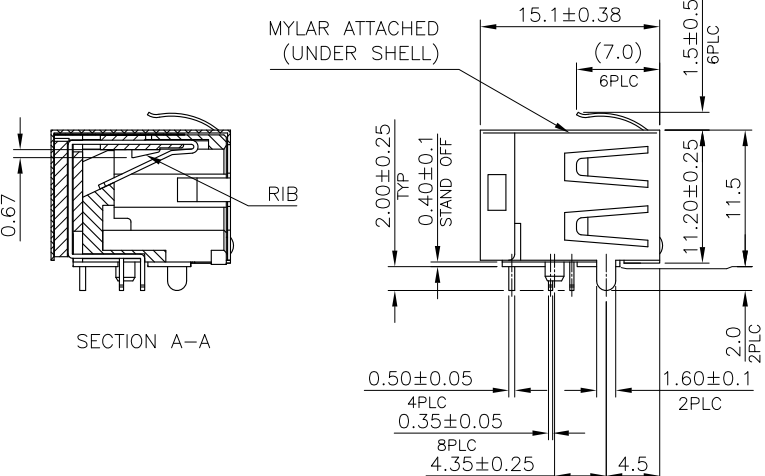
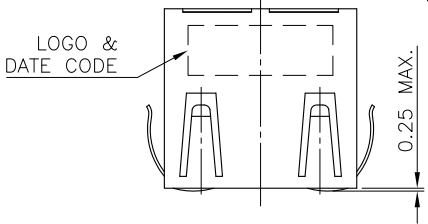
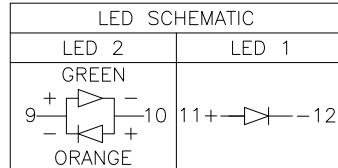
PACKAGE	DIM A	POSITION 2	POSITION 1	MIN. GOLD THICKNESS	PART NUMBER
TRAY	3.5	GREEN	YELLOW	0.762um[30u"]	5-1734324-9
				1.27um[50u"]	<del>5-1734324-8</del>
				0.762um[30u"]	<del>5-1734324-7</del>
		YELLOW	GREEN	0.381um[15u"]	<del>5-1734324-6</del>
				0.152um[6u"]	<del>5-1734324-5</del>
				1.27um[50u"]	<del>5-1734324-4</del>
GREEN	YELLOW	0.762um[30u"]	5-1734324-3		
		0.381um[15u"]	<del>5-1734324-2</del>		
		0.152um[6u"]	5-1734324-1		

THIS DRAWING IS A CONTROLLED DOCUMENT.

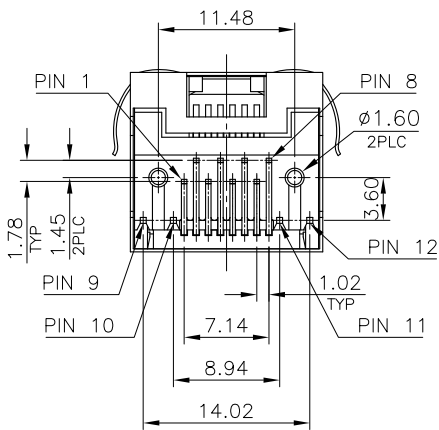
DIMENSIONS: mm	TOLERANCES UNLESS OTHERWISE SPECIFIED:	DWN	TE Connectivity
	0 PLC ± - 1 PLC ± 0.3 2 PLC ± 0.2 3 PLC ± 0.15 4 PLC ± 0.1 ANGLES ± 3'	CHK	MODULAR JACK CONNECTOR
MATERIAL	FINISH	APVD	RJ45 WITH LED, 8P8C, SHIELDED
		PRODUCT SPEC	TAB DOWN, DIP TYPE, H=11.3mm
		APPLICATION SPEC	SIZE CAGE CODE DRAWING NO RESTRICTED TO
		WEIGHT	A3 00779 C=1734324
		CUSTOMER DRAWING	SCALE SHEET 4 of 7 REV A5

THIS DRAWING IS UNPUBLISHED. RELEASED FOR PUBLICATION  
 © COPYRIGHT 2010 BY TYCO ELECTRONICS CORPORATION. ALL RIGHTS RESERVED.

LOC		DIST		REVISIONS					
DW				P	LTR	DESCRIPTION	DATE	DWN	APVD
SEE SHEET 1.									



- NOTE:
- MATERIAL:
    - HOUSING: PA9T, WITH 30% GF, UL94 V-0, BLACK COLOR.
    - INSERT HOUSING: PA46, WITH 30% GF, UL94 V-0, BLACK COLOR.
    - CONTACTS: PHOSPHOR BRONZE.
    - SHELL: BRASS.
    - LED SOLDER TAIL: STEEL.
    - MYLAR: SILICONE POLYMER.
  - FINISH:
    - CONTACTS: (SEE TABLE) GOLD PLATED ON CONTACT AREA. GOLD FLASH ON SOLDER TAIL. 1.27um [50u"] MIN. NICKEL UNDERPLATED OVERALL.
    - SHELL: 0.508um [20u"] MIN. NICKEL PLATED.
    - LED: 1.02um [40u"] COPPER UNDERPLATED OVERALL. 1.27um [50u"] NICKEL OVERALL. 1.27um [50u"] SILVER ON BONDING AREA. 2.54um [100u"] BRIGHT-TIN ON SOLDER AREA.
  - LED MUST BE REFLOW COMPATIBLE TO FOLLOWING TEMPERATURE PROFILE (FOR 1 CYCLE): ABOVE 160°C FOR 120 SECONDS, PEAKING AT 220°C FOR 10 SECONDS.
  - LED DEFECT RATE IS 6000 PPM MAX. AFTER IR REFLOW PROCESS AS NOTE 3.
  - WAVE SOLDER CAPABLE TO 265°C PER TE SPEC 109-202, CONDITION B.



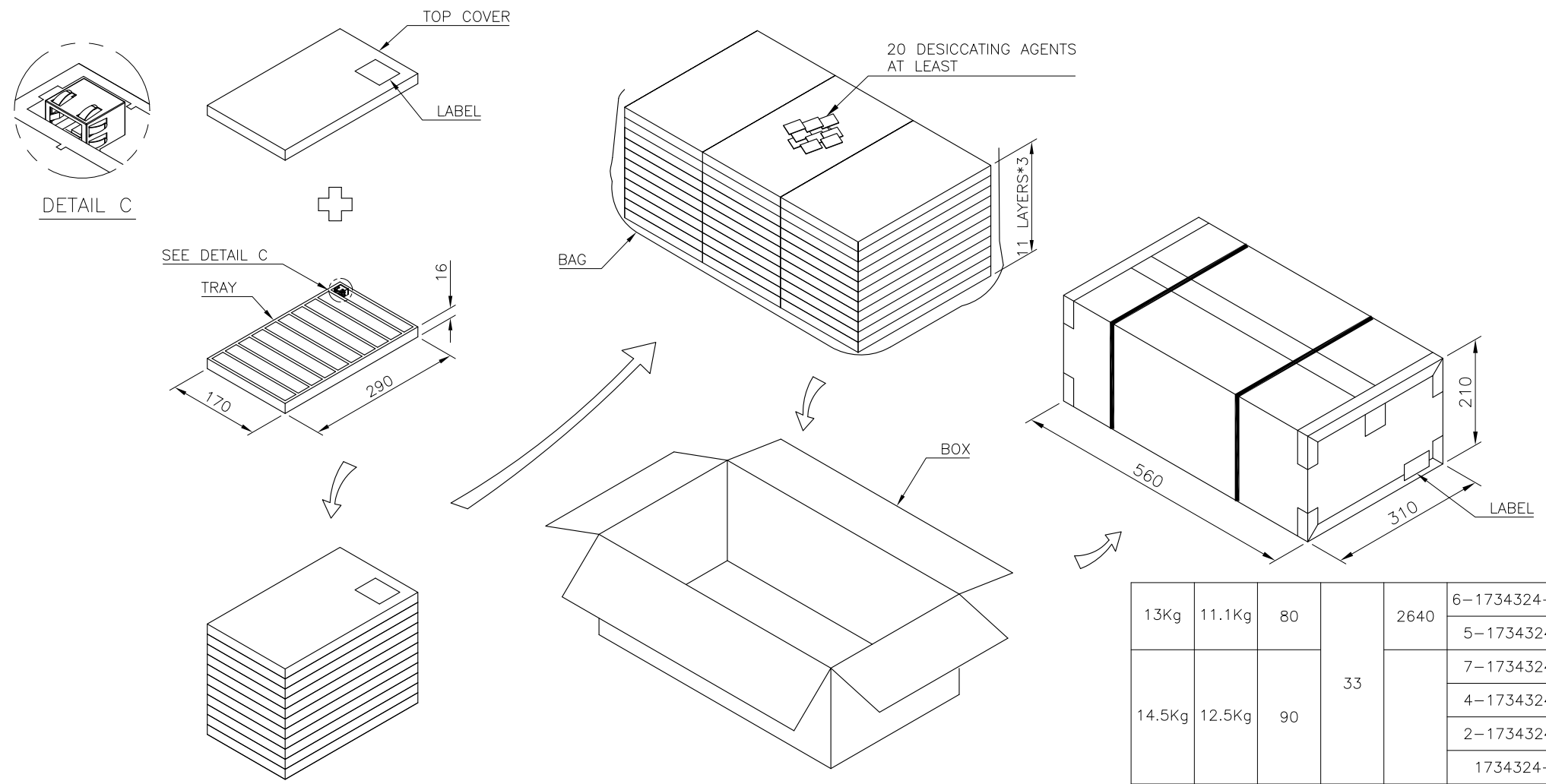
TAPE & REEL	GREEN/ ORANGE	YELLOW	1.27um [50u"]	6-1734324-8
			0.762um [30u"]	6-1734324-7
			0.381um [15u"]	6-1734324-6
TRAY	GREEN/ ORANGE	YELLOW	0.152um [6u"]	6-1734324-5
			1.27um [50u"]	6-1734324-4
			0.762um [30u"]	6-1734324-3
PACKAGE	POSITION 2 INDICATOR COLOR	POSITION 1	0.381um [15u"]	6-1734324-2
			0.152um [6u"]	6-1734324-1
			MIN. GOLD THICKNESS	PART NUMBER

THIS DRAWING IS A CONTROLLED DOCUMENT.

DIMENSIONS: mm	TOLERANCES UNLESS OTHERWISE SPECIFIED:	DWN	TE Connectivity
	0 PLC ±	CHK	NAME
	1 PLC ±0.3	APVD	MODULAR JACK CONNECTOR
	2 PLC ±0.2	PRODUCT SPEC	RJ45 WITH LED, 8P8C, SHIELDED
	3 PLC ±0.15	APPLICATION SPEC	TAB DOWN, DIP TYPE, H=11.3mm
	4 PLC ±	WEIGHT	SIZE CAGE CODE DRAWING NO RESTRICTED TO
	ANGLES ± 3'	CUSTOMER DRAWING	A3 00779 C=1734324
MATERIAL	FINISH	SCALE	SHEET 5 of 7 REV A5

THIS DRAWING IS UNPUBLISHED. RELEASED FOR PUBLICATION  
 © COPYRIGHT 2010 BY TYCO ELECTRONICS CORPORATION. ALL RIGHTS RESERVED.

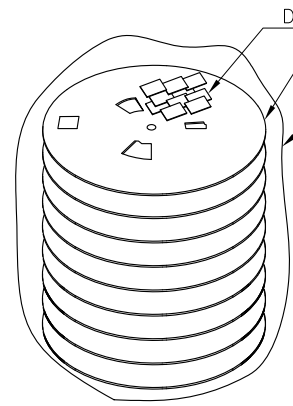
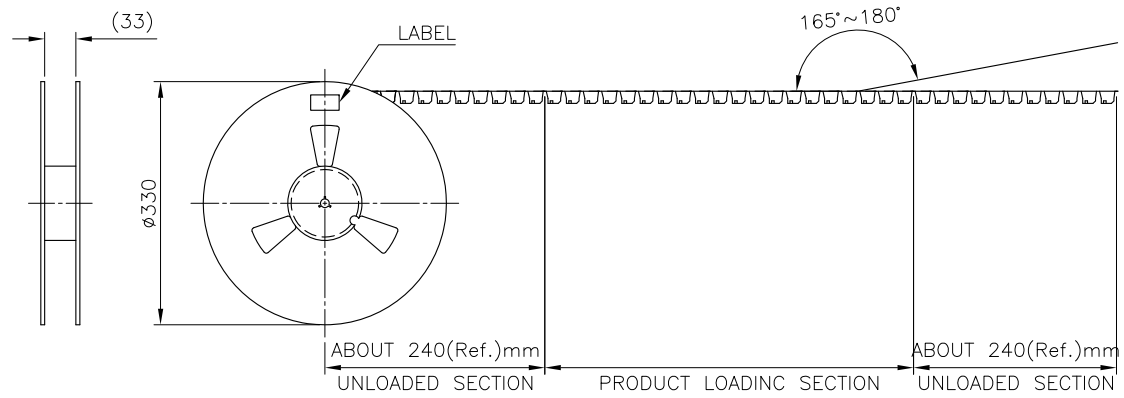
LOC DW	DIST	REVISIONS			
P	LTR	DESCRIPTION	DATE	DWN	APVD
		SEE SHEET 1.			



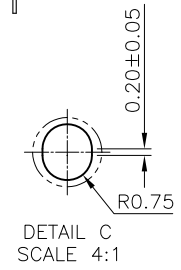
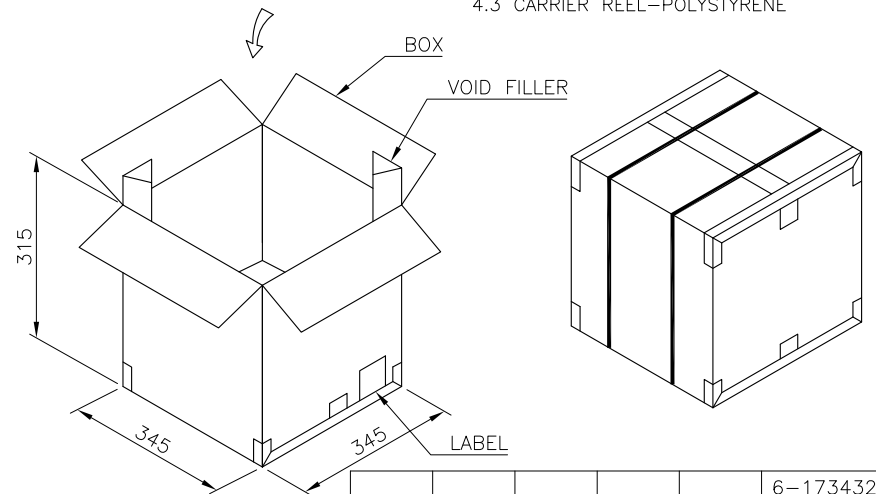
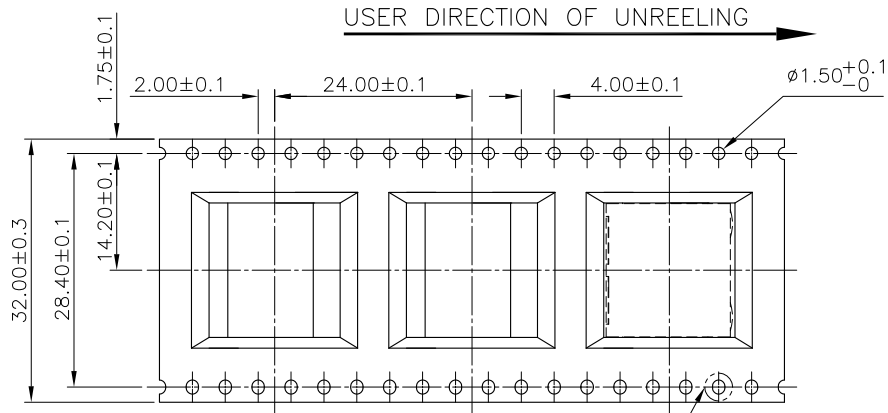
13Kg	11.1Kg	80	33	2640	6-1734324-1~4
14.5Kg	12.5Kg	90			7-1734324-X
					4-1734324-X
					2-1734324-X
					1734324-X
GROSS WEIGHT	NET WEIGHT	PCS /TRAY	TRAY /BOX	PCS /BOX	PART NUMBER

- NOTES:
- MATERIAL:  
TRAY: PVC.  
BOX: CORRUGATED FIBER.
  - DIMENSION: SEE DRAWING
  - QUANTITY: SEE TABLE
  - WEIGHT: SEE TABLE

THIS DRAWING IS A CONTROLLED DOCUMENT.		DWN	TE Connectivity			
DIMENSIONS: mm 		CHK	NAME			
TOLERANCES UNLESS OTHERWISE SPECIFIED: 0 PLC ± - 1 PLC ±0.3 2 PLC ±0.2 3 PLC ±0.15 4 PLC ANGLES ± - ± 3°		APVD	MODULAR JACK CONNECTOR RJ45 WITH LED, 8P8C, SHIELDED TAB DOWN, DIP TYPE, H=11.3mm			
MATERIAL		PRODUCT SPEC	SIZE	CAGE CODE	DRAWING NO	RESTRICTED TO
FINISH		APPLICATION SPEC	A3	00779	C=1734324	-
		WEIGHT	CUSTOMER DRAWING		SCALE	SHEET 6 of 7 REV A5



- NOTE:
- EACH BAG SHALL BE INCLUDED:  
\*DESICCANT
  - PEELING STRENGTH: 0.1~1.3N(1~130 GRAMS) FOR 12~56mm WIDE CARRIER TAPES
  - PEELING SPEED: 300mm/MINUTES.
  - PACKAGING MATERIAL:
    - COVER TAPE—COMPOSITE OF POLYETHYLENE TEREPHTHALATE (PET)
    - CARRIER—POLYSTYRENE (PS)
    - CARRIER REEL—POLYSTYRENE



8.5KG	6.1KG	180	8	1440	6-1734324-5~8
					3-1734324-X
					1-1734324-X
GROSS WEIGHT	NET WEIGHT	PCS /REEL	REEL /BOX	PCS /BOX	PART NUMBER

THIS DRAWING IS A CONTROLLED DOCUMENT.

DIMENSIONS: mm	TOLERANCES UNLESS OTHERWISE SPECIFIED:	DWN	TE Connectivity
	0 PLC ±	CHK	NAME
	1 PLC ±0.3	APVD	MODULAR JACK CONNECTOR
	2 PLC ±0.2	PRODUCT SPEC	RJ45 WITH LED, 8P8C, SHIELDED
	3 PLC ±0.15	APPLICATION SPEC	TAB DOWN, DIP TYPE, H=11.3mm
	4 PLC ±	WEIGHT	SIZE CAGE CODE DRAWING NO RESTRICTED TO
	ANGLES ± 3'	CUSTOMER DRAWING	A3 00779 C=1734324
MATERIAL	FINISH	SCALE	SHEET 7 of 7 REV A5

## X-ON Electronics

Largest Supplier of Electrical and Electronic Components

*Click to view similar products for [Telecom ICs category](#):*

*Click to view products by [TE Connectivity manufacturer](#):*

Other Similar products are found below :

[87180-066](#) [B78476A9558A003](#) [4C9965](#) [RH1041W-MFP-GNL](#) [5C3263](#) [7J8004](#) [SCMS7D43AY100PT1](#) [43841-0003-CUT-TAPE](#)  
[HX6106NLT](#) [75586-0004-CUT-TAPE](#) [JC0-0201NL](#) [0432498916](#) [0757840156](#) [0424104168](#) [0432028917](#) [93899-001LF](#) [9455511103](#)  
[10118067-5136210LF](#) [69253-001](#) [H1062](#) [P129](#) [T7015NLT](#) [T1231NL](#) [432238149](#) [428786360](#) [432498908](#) [441500007](#) [446200003](#)  
[432028918](#) [432498925](#) [428788458](#) [443800019](#) [443801016](#) [754500001](#) [757830252](#) [757840212](#) [757865001](#) [950432801](#) [760925002](#) [133148](#)  
[ST7010QNL](#) [T-1250SCT](#) [T3023NL](#) [66010-004LF](#) [203156](#) [68899-002LF](#) [73327-111LF](#) [95672-001LF](#) [95678-001ALF](#) [45-5614-BU](#)