

4

3

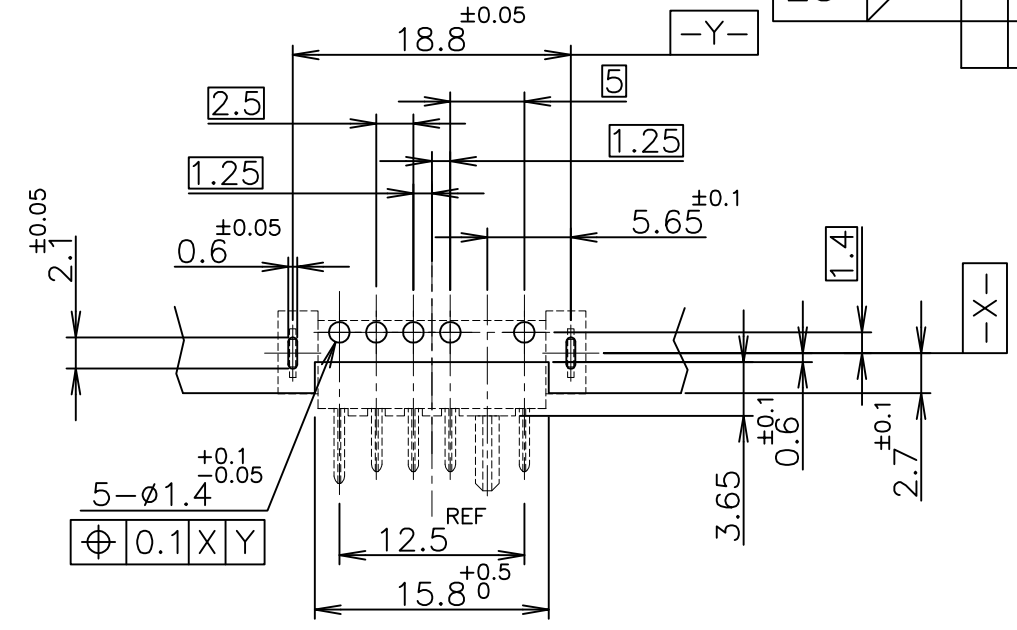
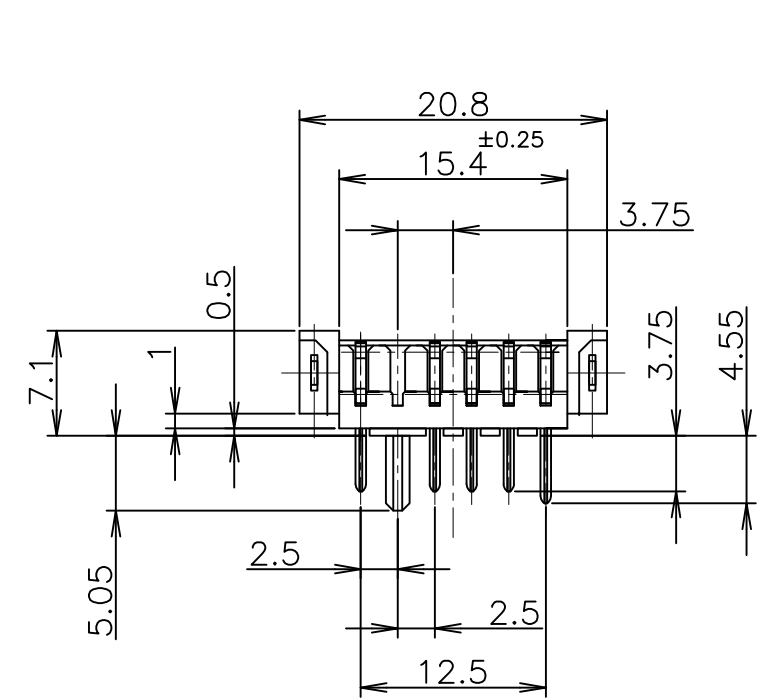
2

1

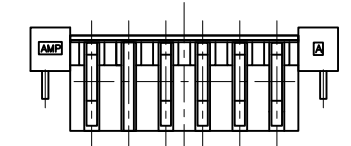
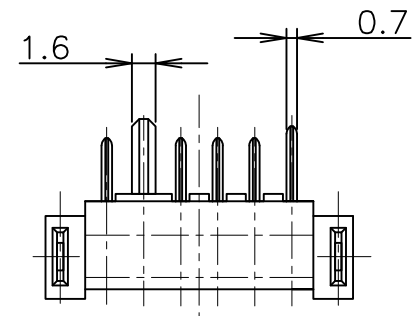
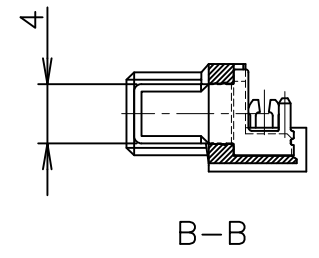
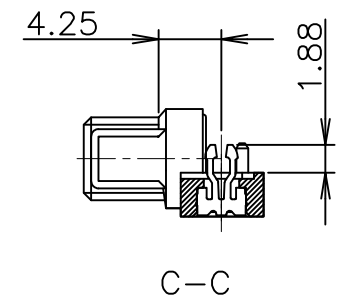
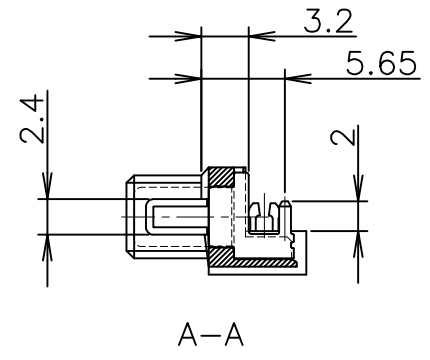
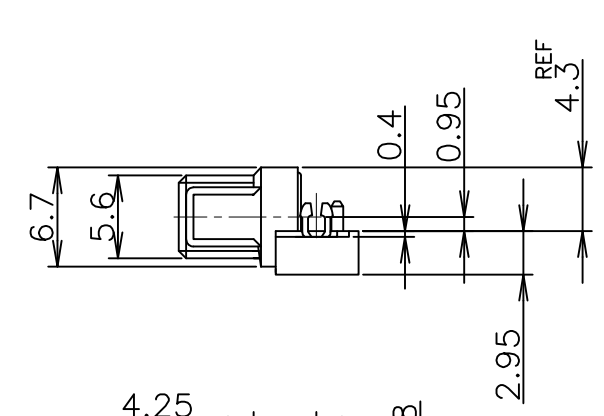
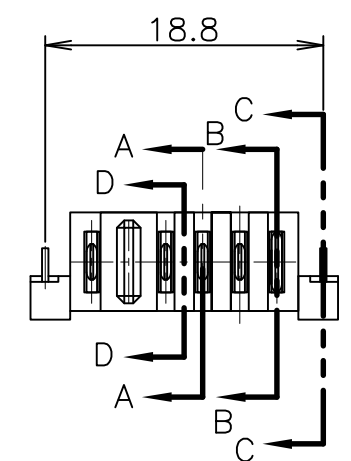
THIS DRAWING IS UNPUBLISHED. RELEASED FOR PUBLICATION OCT ,2004.

© COPYRIGHT 2004 BY TYCO ELECTRONICS CORPORATION. ALL RIGHTS RESERVED.

LOC	DIST	REVISIONS			
P	LTR	DESCRIPTION	DATE	DWN	APVD
ES	/	B	REVISED PER ECR-10-011717	30MAY2010	S.W S.Y



RECOMMENDED P.C. BOARD LAYOUT
P.C. BOARD THK 0.8~1.2
(VIEW FROM CONNECTOR MOUNTING SIDE)



- 1 MATERIAL HOUSING : THERMOPLASTIC RESIN, UL94V-0
COLOR ; BLACK
- CONTACT : COPPER ALLOY
- RETENTION LEG : COPPER ALLOY
- 2 FINISH CONTACT : Ni ALL OVER UNDER PL
Pd-Ni PL. AT CONTACT AREA
Au FLASH PL. AT CONTACT AREA
TIN PL. AT LEAD AREA
- RETENTION LEG : TIN PL.

6318790-1 ; AS SHOWN

GENERAL TOLERANCE

10 ≥	±0.2
30 ≥ > 10	±0.25
100 ≥ > 30	±0.3
ANGLES	±3°

THIS DRAWING IS A CONTROLLED DOCUMENT.		DWN	T.KATANO	08OCT04	Tyco Electronics Shanghai, P.R.China, 200233
DIMENSIONS: mm		CHK	T.KIMURA	08OCT04	
TOLERANCES UNLESS OTHERWISE SPECIFIED:		APVD	K.IKEGAMI	08OCT04	
0 PLC ± - 1 PLC ± - 2 PLC ± - 3 PLC ± - 4 PLC ± - ANGLES ± -		PRODUCT SPEC	108-78211		
MATERIAL		APPLICATION SPEC	NAME		
FINISH		WEIGHT	PLUG ASSEMBLY 2.5mm PITCH BATTERY CONNECTOR 5POS. OFF SET TYPE (T1)		
1 2 3 4		CUSTOMER DRAWING	SIZE	A3	RESTRICTED TO
		SCALE	CAGE CODE	00779	DRAWING NO
			C=6318790		
			SCALE	2:1	SHEET 1 OF 1
					REV B

X-ON Electronics

Largest Supplier of Electrical and Electronic Components

Click to view similar products for [Power to the Board](#) category:

Click to view products by [TE Connectivity](#) manufacturer:

Other Similar products are found below :

[10131318-08512GRLF](#) [6450171-4](#) [6450552-7](#) [6600323-8](#) [6643429-1](#) [6646040-2](#) [6651939-1](#) [6766604-1](#) [120959-1](#) [1393557-2](#) [1393532-2](#)
[1393532-3](#) [1393532-4](#) [1393557-1](#) [1600812-5](#) [1-6450861-2](#) [1645595-1](#) [1743490-1](#) [1744132-7](#) [1761122-1](#) [1766169-1](#) [1766250-1](#) [18362](#)
[1892109-1](#) [1-967627-6](#) [2226808-1](#) [2-6450860-5](#) [2-6450860-6](#) [2-6450870-0](#) [93003-0502](#) [953552-1](#) [1-6450161-4](#) [1-6450850-6](#) [1645526-2](#) [1-](#)
[6600130-0](#) [1743419-1](#) [1766150-1](#) [2005243-2](#) [211110-1](#) [2-6600130-2](#) [TE34-12-16P-F0](#) [51700-10201602AALF](#) [5-6450830-6](#) [5646956-4](#)
[36662-0005](#) [40585-3000](#) [4-6450830-9](#) [4-6600333-3](#) [51142-0214](#) [10125416-4050LF](#)