

Power
for the
people



Power & data beyond limits.

Movable
Power
& Data





Every day, we are introduced to the latest and greatest inventions to improve efficiency at work, stay connected to one another and to get the most out of every day experiences.

Mainline is the connection between them all. It's a piece of great technology that allows you to connect and power all gadgets and appliances in every day life whenever you want, wherever you want... without limits.

Mainline has been designed to give you the same level of power and data you are used to today, but in a much more flexible way.

More often than not there will always be power sockets in the wrong place or simply not enough to start with. Network points often suffer the same issue, or the speeds simply aren't up to satisfying your demands.

Well times have changed. Now you needn't worry about getting the position of sockets right, or that your wireless connection may drop out, as Mainline has the solution.

01/ Overview



Mainline is an innovative power track that allows anyone to simply and safely add, remove or reposition power and data sockets wherever and whenever they are needed along its length.

In any environment, Mainline can be seamlessly installed into walls, skirting boards or trunking systems in a fraction of the time it takes to install conventional fixed sockets. With a range of finishing options available, Mainline meets your power, data and design needs equally.



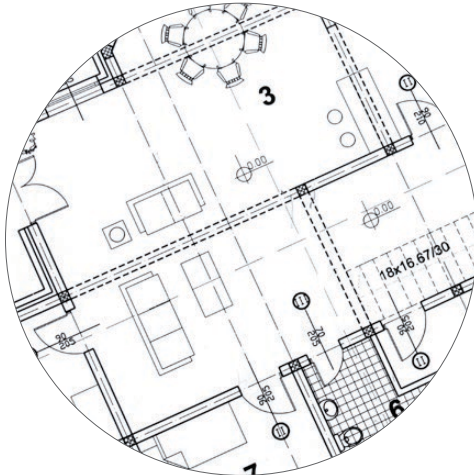
02/ How it Works

Mainline is suitable for new constructions, renovations and refurbishment projects.

It becomes a part of your buildings power infrastructure and can either be installed as part of a ring, radial or a spur.

Installing and connecting Mainline to a buildings infrastructure is easy. The Mainline Terminal Block connects the existing live, neutral and earth wires of your circuit to the Mainline track itself. The track comes in 2 metre lengths which can be cut down using a chop saw or joined together depending on your needs. It even goes round corners!

With Mainline you are not limited by the number of sockets you can insert onto the track, you are only ever limited by the load. Mainline has a capacity of upto 32 Amps and anyone can safely add, remove and reposition the sockets.

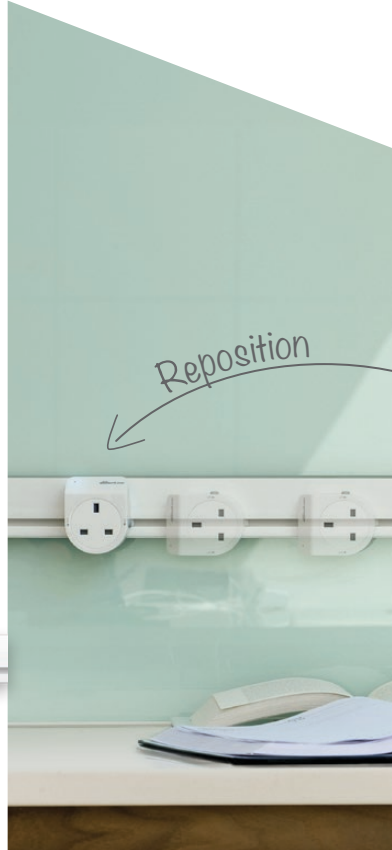


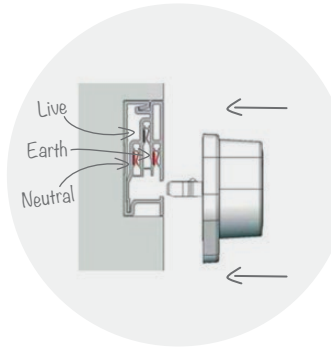
Add →

Remove ↗

↔ Reposition

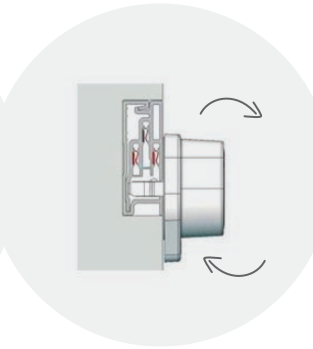
↖ Reposition





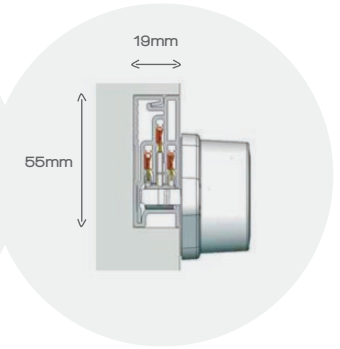
Step 01/

Insert socket into the Mainline track



Step 02/

Turn the socket 90° to safely access power



Step 03/

Move or add more sockets as required

Mainline has been designed to restrict access to the copper busbar from small objects and fingers.

Like any electrical circuit - we recommend you install an RCD (Residual Current Device) if you don't already have one, which will disconnect the circuit if contact is made with any live parts or a fault is detected.

This is unlikely with Mainline - and most new buildings are already fitted with an RCD.



Home install, London SW3





03/ High speed, movable data points

To give you even more flexibility, we have developed the world's first Mainline movable data networking socket.

Your home or building is already connected together by all the electrical cabling that runs throughout it. Our product uses this electrical cabling and cleverly passes data through it.

The Mainline Premium Data Sockets allow you to move your network access points along the Mainline track, giving you the best possible coverage anywhere in your home or working environment.



To configure your network you will need at least two of our Premium Data Sockets (or HomePlug AV compatible units), one to connect to your router and one to connect to your devices.

Either use two of our Mainline Premium Data Sockets or combine one of our flexible data sockets with a fixed Powerline Socket from Power Ethernet, located where your data cable enters the room or building. We can provide both!



For more information visit:
www.mainlinepower.com

Power Ethernet innovation



Networking



Internet



Smart Metering



Home Automation



VoIP



IPTV & VoD



Digital Signage



04/ Customise your sockets!

You can now custom wrap your sockets in any design!

Visit our website for details.
www.mainlinepower.com





Track colouring... we have it covered!



For larger installations* of Mainline Power track, it is now possible to have your track covered with a unique architectural film to blend into its surroundings.

3M's DI-NOCTM architectural film comes in over 300 stunning finishes to suit almost any environment!

3M have DI-NOCTM specialists in almost every country across the world.

Contact your local Mainline distributor for more information.

*Minimum order volumes may apply. © 3M. All rights reserved.

05/ Powering People

Mainline continues to provide customers from all environments, flexible access to power every day.

Here's a selection...



Before

After





"To reconfigure the rooms in a way I wanted, I would have needed to reroute all the wiring in the wall cavities or under the floor, which would have not only been expensive but cost considerable downtime. Mainline's system solved both problems with one solution. Power where we want it and the same with high speed data networks."

Alexander Hall,
Business Owner

"The system gives us flexibility and enhanced security.

There are no unwanted sockets, which are a potential hazard and prevent flexibility within the classroom arrangement. Mainline's solution allows the schools to freely relocate the furniture and work stations without the need for extension leads or the burden of installing additional sockets. "

Michal Stachurski, Electrical Services Engineer,
Enterprise Peterborough.



"The Mainline power and data solution is great for our home and matches our design taste perfectly. We are always buying new technology and having Mainline gives us the flexibility to power all of our gadgets without the need for a tangle of extension leads. We installed Mainline and the data solution in a number of rooms, which gives us consistently high data speeds no matter where we are in the house. We love the system!"

Gerri Jones, Homeowner.

More customer installation photographs can be found on our Facebook page: www.facebook.com/MainlinePower



06/ Safety

Mainline has been carefully developed to assure the safety of the user. The unique design means the position of the live strip (at the highest point in the track) restricts contact from foreign objects or prying fingers.

Since Mainline was invented in 2002, not a single fault has been reported and Mainline complies to all national safety standards in all countries sold.





07/

Product Specification and Approvals

Mainline Premium Data Socket	
Standards	Ethernet specifications IEEE 802.3, IEEE 802.3x, IEEE 802.3u, Auto MDI / X, HomePlug AV compatible
Powerline Standard	HomePlug Alliance 200 AV compatible
Protocols	TDMA, CSMA/CA over power supply grid
Transmission speed	Up to 200 Mbps (gross)
Transmission method	Asynchronous
Modulation	OFDM - 1155 carriers, 1024/256/64-QAM, QPSK, BPSK
Data path	Ethernet <-> power supply grid (uses Mainline track for data connection)
Range	Up to 300m over power supply grid
Security	128-bit AES encryption over electrical circuit
Device port	4 x Ethernet RJ45 connected to a manage switch
Power consumption	5 W (max.), 1.5 W in standby 0.5W in hibernation
Power supply	110-240V 50/60Hz
Damping filter	2 – 30 MHz
Filter characteristics	30 dB
Ambient conditions	10–90% humidity (non-condensing)
Works with	Supports all operating systems Windows, Mac, Linux and all operating systems with Ethernet ports (RJ45)

Mainline System	
Single phase wall/surface mounted power track.	
Rated Voltage	Up to 250V a.c.
Rated Continuous Current	Up to 32 Amps a.c.
Product Environment for use	Indoor areas.
Degree of protection	IP2xD.
Dielectric Strength	3 kV a.c. for 1 minute.
Flammability	Self Extinguishing UL 94- 5VA.
Track Material	High Impact Rigid PVC.
Adaptor contacts engaged within a system of stamped copper rails fitted into a thermoplastic track.	
Adaptors can be connected and disconnected when system is energised.	

Product Conforms to National Standards		
Single phase power track:	32A, 250V a.c.	
BS EN 61534-1 I.S. EN 61534-1	BS1363-2:1995+A1,A2	
BS EN 61534-21 I.S. EN 61534-21	BS1363-2:1995+A1,A2	
BS EN 60999-1 I.S. EN 60999-1	BS5733:1995+A1,A2	
MLA2 British socket outlet/adaptor:	13A, 250V a.c.	

08/ Product Catalogue

Sockets

Customise your sockets!

Remember you can now custom wrap your sockets. See page 8 for details.

Visit our website for details
www.mainlinepower.com



USB Charging Socket

Grey/Orange



Part No.
MLUSB

Premium Data Socket

CAT5/6
White



Part No.
MLPDW

Premium Socket

Type G
White/Black



Part No.
MLP2W/B

Standard Socket

Type G
White/Black



Part No.
MLA2W/B



Premium Socket

Type F
White/Black



Premium Socket

Type E
White/Black



Standard Socket

Type I
White/Black



Premium Socket

Type D
White/Black



Standard Socket

Type M
White/Black



Premium Socket

Type A/C/I
Multi adapter
White/Black



**AVAILABLE
Q2 2014**

Premium Socket

Type B
White/Black



**AVAILABLE
Q2 2014**

Premium Socket

Type J
White/Black



**AVAILABLE
Q2 2014**

Track



Remember to choose a housing option for your track.

See page 19.

Part No.
ML2TBLECW

Starter
Kit 2m

(Left)
White



Part No.
ML2TBRECW

Starter
Kit 2m

(Right)
White



Part No.
ML2TBLECB

Starter
Kit 2m

(Left)
Black



Part No.
ML2TBRECB

Starter
Kit 2m

(Right)
Black





Part No.
ML21QCSJW

Extension Kit 2.1m

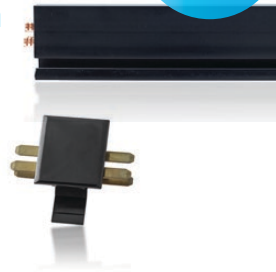
(Straight)
White



Part No.
ML21QCSJB

Extension Kit 2.1m

(Straight)
Black



Part No.
ML22W

Mainline Track 2.2m

White



Part No.
ML22B

Mainline Track 2.2m

Black



Accessories & Housing

End Cap

(Left/Right)
White



Part No.
MLENDW

End Cap

(Left/Right)
Black



Part No.
MLENDB

Straight Connector

White



Part No.
MLQCSJW

Straight Connector

Black



Part No.
MLQCSJB

Terminal Block

(Left)
White



Part No.
MLITLW

Terminal Block

(Right)
White



Part No.
MLITRW

Terminal Block

(Left)
Black



Part No.
MLITLB

Terminal Block

(Right)
Black



Part No.
MLITRB

Internal Corner Kit

White



Part No.
MLICJW

Internal Corner Kit

Black



Part No.
MLICJB

External Corner Kit

White



Part No.
MLECJW

External Corner Kit

Black

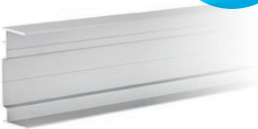


Part No.
MLECJB



C-Channel Housing 2.1m

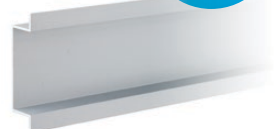
Silver



Part No.
MLEX21

Flush Mount Housing 2.1m

Silver



Part No.
FMH01-A-EX2100

Surface Mount Housing 2.1m

White



Part No.
SMH02-W-EX2100

Housing End Cap

White



Part No.
SMH02-W-ENC

Housing Joiner

White



Part No.
SMH02-W-STJ

Dado Housing 2.1m

White



Part No.
IOT01-W-EX2100



Contact us
for help with
your project

w: www.mainlinepower.com
e: info@mainlinepower.com

 facebook.com/MainlinePower
 [@mainlinepower](https://twitter.com/mainlinepower)
 pinterest.com/mainlinepower



X-ON Electronics

Largest Supplier of Electrical and Electronic Components

Click to view similar products for [Mounting Fixings](#) category:

Click to view products by [Mainline Power](#) manufacturer:

Other Similar products are found below :

[5912235-1 REV](#) - [5912235-2](#) [007310](#) [007541](#) [6-141-P](#) [620HA038NF09](#) [620HA038NF11](#) [M81714/60-22-01 L/C](#) [MA1EAF1200](#) [70-584649-01P](#)
[71-074914-006](#) [71-215091-8S](#) [712HA170B23128-N](#) [71-441549-19S](#) [71-441864-5S](#) [71-490451-4H](#) [EX-13-3-B-16-325PN](#) [75-69116-8S](#) [75-69211-](#)
[3P](#) [75-69220-27S](#) [75-69224-5S](#) [75-69614-2S](#) [770-006A109](#) [770-006A109R](#) [770-006A207](#) [770-006A208W1](#) [770-006A209](#) [770-006A306](#) [770-](#)
[006A703W1](#) [770-006A704](#) [770-006A704W1](#) [770-006A705](#) [770-006A706](#) [770-006A706W1](#) [770-006A707](#) [770-006A709](#) [770-007A203](#) [770-](#)
[007A203W1](#) [770-007A204W1](#) [770-007A207W1](#) [770-007A703](#) [770-007A704W1](#) [770-007A706](#) [770-007A707W1](#) [770-010Y208](#) [770-010Y308](#)
[770-010Y705](#) [770-010Y706](#) [770-010Y707W1](#) [770-011T201](#)