

3M™ Tripolarized Wiremount Socket

.050" × .100" for .025" Pitch Cable

820 Series



- Tripolarized for robust alignment when mating to 810 Series Header
- 50 mil × 100 mil halves the connector length vs. traditional 100 mil x 100 mil products
- Hill-n-dale design provides a high performance IDC termination and improved signal integrity vs. planar terminated connectors
- Beryllium Copper alloy contacts for superior strength and reliability
- Metal cover latch for positive cover retention and long term reliability
- Metal strain relief for increased reliability and durability
- Contacts: 20, 26, 36, 40, 50, 60, 68, 80 and 100
- See the Regulatory Information Appendix (RIA) in the "RoHS compliance" section of www.3Mconnector.com for compliance information

Date Modified: April 20, 2011

TS-0254-D
Sheet 1 of 2

Physical

Insulation:

Material: Glass Filled Polyester (PBT)

Flammability: UL 94V-0

Color: Gray

Contact Material: Beryllium Copper Alloy

Plating:

Underplating: 100 μ" [2.54 mm] Nickel

U-Slot: Matte Tin or tin-lead (see ordering information)

Wiping Area: 30 μ" [0.76 mm] Gold

Wire Accommodation 30 AWG Solid, 30 AWG Pleated Foil, and 30 AWG Stranded, PVC, TPE, FEP

Marking: 3M Logo and Orientation Triangle

Mating Compatibility: 810 Series (TS-0253)

Electrical

Current Rating: 3.00 A, 1 Contact Powered
2.00 A, 4 Contacts Powered
0.75 A, All Contacts Powered

Rating Conditions: EIA-364-070 Method 2, 30 degrees C maximum temperature rise, 20% derated. Reference appropriate 3M Product Specification for detailed current derating curves.

Insulation Resistance: $> 1 \times 10^9 \Omega$ at 500 V_{DC}

Withstanding Voltage: 500 V_{RMS} at Sea Level

Environmental

Temperature Rating: -55°C to +105°C

UL File No.: E68080

3M

Electronic Solutions Division
Interconnect Solutions
<http://www.3Mconnector.com>

3M is a trademark of 3M Company.
For technical, sales or ordering information call
800-225-5373

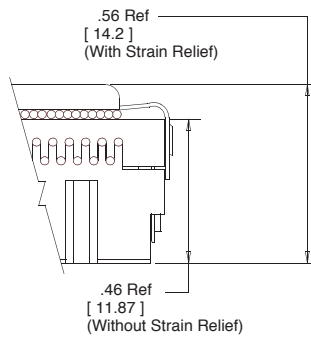
3M™ Tripolarized Wiremount Socket

.050" x .100" for .025" Pitch Cable

820 Series



Contact Quantity	Dimensions	
	A	B
020	.755 [19.18]	.670 [17.02]
026	.905 [22.99]	.820 [17.02]
036	1.155 [29.34]	1.070 [27.18]
040	1.255 [31.88]	1.170 [29.72]
050	1.505 [38.23]	1.420 [36.07]
060	1.755 [44.58]	1.670 [42.42]
068	1.955 [49.66]	1.870 [47.50]
080	2.255 [57.28]	2.170 [55.12]
100	2.755 [69.98]	2.670 [67.82]



Assembled Height



Inch
[mm]

Tolerance Unless Noted			
	.0	.00	.000
Inch	±.1	±.01	±.005

[] Dimensions for Reference Only

Notes:

1. This polarization slot does not exist on the 20 position socket.
2. Recommended to be mated to the .050" X .100" 810XX series headers.

Ordering Information

Socket
82XXX - 600X - XX

Contact Quantity
(See Table 1)

Strain Relief:
0 = No Strain Relief
6 = With Strain Relief

Plating suffix:
blank = tin lead U slots (App. E3 & C2 Apply)
RB = matte Sn U slots (App. E1 & C1 Apply) [Standard]

Strain Relief
(If Ordered Separately)

3858-XXX

Contact Quantity:
See Table

Application tools: 3M™ Press 3640 (or equivalent), 3M™ Locator Plate 3443-113, 3M™ Platen 3442-45.

TS-0254-D
Sheet 2 of 2

Important Notice

All statements, technical information, and recommendations related to 3M's products are based on information believed to be reliable, but the accuracy or completeness is not guaranteed. Before using this product, you must evaluate it and determine if it is suitable for your intended application. You assume all risks and liability associated with such use. Any statements related to the product which are not contained in 3M's current publications, or any contrary statements contained on your purchase order shall have no force or effect unless expressly agreed upon, in writing, by an authorized officer of 3M.

Warranty; Limited Remedy; Limited Liability.

This product will be free from defects in material and manufacture for a period of ninety (90) days from the time of purchase. **3M MAKES NO OTHER WARRANTIES INCLUDING, BUT NOT LIMITED TO, ANY IMPLIED WARRANTY OF MERCHANTABILITY OR FITNESS FOR A PARTICULAR PURPOSE.** If this product is defective within the warranty period stated above, your exclusive remedy shall be, at 3M's option, to replace or repair the 3M product or refund the purchase price of the 3M product. **Except where prohibited by law, 3M will not be liable for any indirect, special, incidental or consequential loss or damage arising from this 3M product, regardless of the legal theory asserted.**

**3M Electronics Solutions Division**

6801 River Place Blvd.
Austin, TX 78726-9000
U.S.A.
1-800-225-5373
www.3Mconnector.com

Please recycle. Printed in USA.
© 3M 2010. All rights reserved.
RIA-2217B-E

3M is a trademark of 3M Company.

X-ON Electronics

Largest Supplier of Electrical and Electronic Components

Click to view similar products for [Headers & Wire Housings](#) category:

Click to view products by [3M](#) manufacturer:

Other Similar products are found below :

[95000-104TRLF](#) [10135584-644402LF](#) [DF62W-EP2022PCA](#) [95000-106TRLF](#) [DF62W-2022SCA](#) [DF62W-EP2022PC](#) [2203348](#) [DF62W-2022SC](#) [1084018](#) [1029039](#) [1084017](#) [802-10-012-10-002000](#) [1112640](#) [1112639](#) [891-007-9SS-BST1T](#) [000-34000](#) [0008550134](#) [0009482033](#) [0009507031](#) [57102-F02-18ULF](#) [57102-S06-03LF](#) [57202-S52-04LF](#) [PCN6-15S-2.5E](#) [0039019024](#) [58102-G61-06LF](#) [582553-1](#) [0009485154](#) [0009508121](#) [0022285053](#) [0050291907](#) [018731A](#) [LY20-4P-DT1-P1E-BR](#) [02.125.8002.8](#) [60101931](#) [60598-1 \(Cut Strip\)](#) [M1625-3R/100](#) [61062-3](#) [61082-181009](#) [CSU011177004](#) [636-1427](#) [638009-1](#) [641938-9](#) [641991-4](#) [644168-1](#) [644827-2](#) [647662-1](#) [65039-019ELF](#) [65692-001LF](#) [65781-018](#) [65781-047](#)