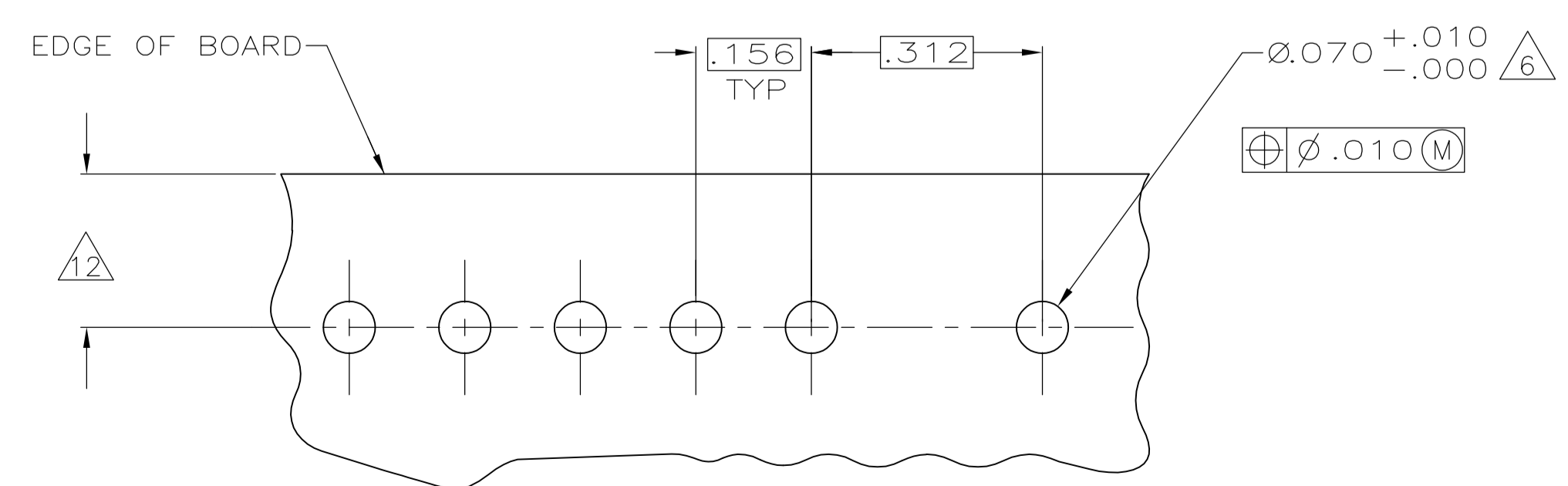
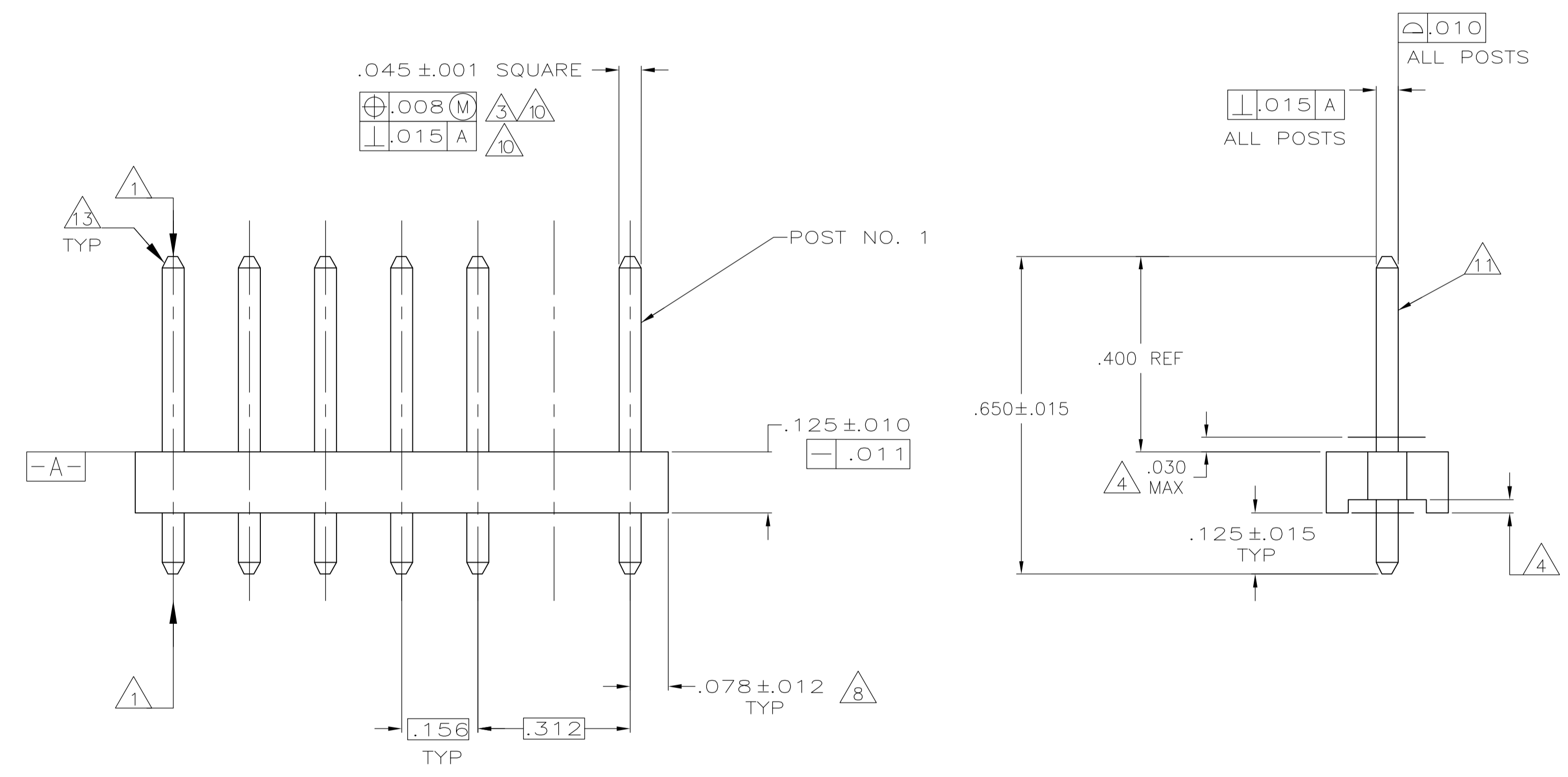
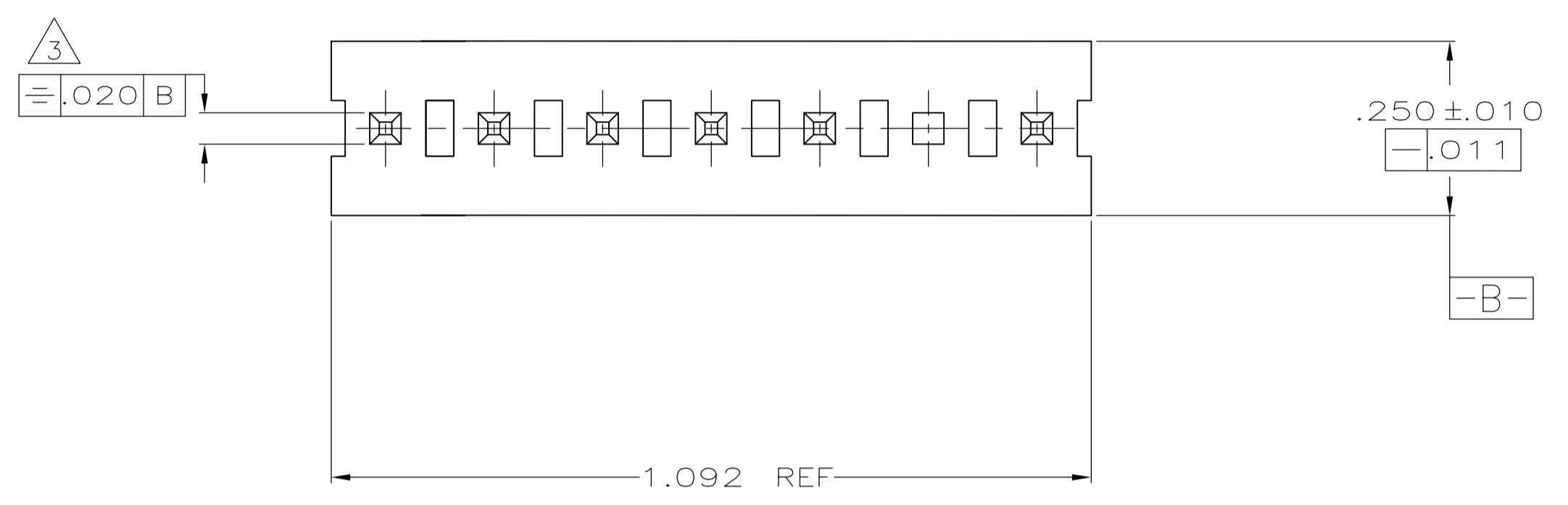


LOC		DIST		REVISIONS			
CM	0	REV	DATE	BY	CHK	APPV	
G		REVISED PER ECO-12-016930	05OCT12	KH	SM		

- 1 POST TO WITHSTAND 13 NEWTONS (3LBS.) MIN. AXIAL FORCE IN BOTH DIRECTIONS SHOWN WITHOUT DISLODGING.
- 2 TOLERANCES APPLY TO SOLDER SIDE OF BOARD.
- 3 MEASURED AT SURFACE -A-
- 4 PLASTIC FLASH PERMITTED IN THIS AREA.
- 5 PARTS COMPLY WITH AMP SOLDERABILITY SPEC. NO. 109-11-2.
- 6 ONE HOLE MAY BE UNDERSIZED (.065/.060 DIA.) FOR ASSEMBLY RETENTION DURING WAVE SOLDERING.
- 7 MATERIAL: HEADER-THERMOPLASTIC POLYESTER
GLASS-FILLED 94V-0(NATURAL)
POST-COPPER ALLOY (TIN PLATED)
- 8 COORDINATE DIMENSION APPLIES FROM CENTER OF ACTUAL FEATURE.
- 9 PLASTIC BURRS CAUSED BY CUT-OFF TOOLING ARE PERMITTED WITHIN THE MAXIMUM TOLERANCE ENVELOPE.
- 10 POST TO BE MEASURED WHEN STRIP IS HELD FLAT.
- 11 POST MUST WITHSTAND TWO 90° BENDS AGAINST EXTRUSION WITHOUT BREAKING.
- 12 DIMENSION SHOULD BE .140 MIN WHEN MATING WITH A MTA-156 CONNECTOR ASSEMBLY OR A SL-156 CONNECTOR ASSEMBLY.
- 13 PIN BURR OF .005 MAX. VERTICAL AND .003 MAX. HORIZONTAL PERMITTED AT POST TIPS ON BOTH ENDS.



RECOMMENDED MOUNTING HOLE PATTERN FOR .063 THICK P.C. BOARD

641991-1 SHOWN

IN	MM	IN	MM
.045	1.14	1.092	27.74
.031	0.79	.700	17.78
.030	0.76	.450	11.43
.020	0.51	.312	7.92
.015	0.38	.250	6.35
.012	0.30	.156	3.96
.011	0.28	.140	3.56
.010	0.25	.125	3.18
.008	0.20	.078	1.98
.005	0.13	.070	1.78
.003	0.08	.065	1.65
.001	0.03	.063	1.60
.000	0.00	.060	1.52
IN	MM	IN	MM

CONVERSION TABLE

POST NUMBER OMITTED	PART NUMBER
1, 4, & 6	641991-5
4 & 6	641991-4
2 & 5	641991-3
5	641991-2
2	641991-1

THIS DRAWING IS A CONTROLLED DOCUMENT.

DIMENSIONS: INCHES	TOLERANCES UNLESS OTHERWISE SPECIFIED:	DIN J. HUFFMAN 4-21-97	APPROVED R. SWING 4-21-97	NAME
0. PLC ± -	1. PLC ± -	CHK G. JONES 4-22-97	PRODUCT SPEC	MTA-156 HEADER ASSEMBLY, PLAIN, STRAIGHT, .045 SQ. SQUARE POST
2. PLC ± -	3. PLC ± .005	APPROVED G. JONES 4-22-97	APPLICATION SPEC	TIN PLATED, 7 POSITION, OMITTED POST
4. PLC ± -	ANGLES ± ± 0°30'	SIZE	SCALE	RESTRICTED TO
MATERIAL	FINISH	WEIGHT	A1 00779	641991
CUSTOMER DRAWING		SCALE 5:1	SHEET 1 OF 1	REV G

TE Connectivity

X-ON Electronics

Largest Supplier of Electrical and Electronic Components

Click to view similar products for [Headers & Wire Housings](#) category:

Click to view products by [TE Connectivity](#) manufacturer:

Other Similar products are found below :

[95000-104TRLF](#) [10135584-644402LF](#) [DF62W-EP2022PCA](#) [95000-106TRLF](#) [DF62W-2022SCA](#) [DF62W-EP2022PC](#) [2203348](#) [DF62W-2022SC](#) [1084018](#) [1029039](#) [1084017](#) [802-10-012-10-002000](#) [1112640](#) [1112639](#) [891-007-9SS-BST1T](#) [000-34000](#) [0008550134](#) [0009482033](#) [0009507031](#) [57102-F02-18ULF](#) [57102-S06-03LF](#) [57202-S52-04LF](#) [PCN6-15S-2.5E](#) [0039019024](#) [58102-G61-06LF](#) [582553-1](#) [0009485154](#) [0009508121](#) [0022285053](#) [0050291907](#) [018731A](#) [LY20-4P-DT1-P1E-BR](#) [02.125.8002.8](#) [60101931](#) [60598-1 \(Cut Strip\)](#) [M1625-3R/100](#) [61062-3](#) [61082-181009](#) [CSU011177004](#) [636-1427](#) [638009-1](#) [641938-9](#) [641991-4](#) [644168-1](#) [644827-2](#) [647662-1](#) [65039-019ELF](#) [65692-001LF](#) [65781-018](#) [65781-047](#)