

FM Super Het Receiver 433.92

LOW COST & HIGH SENSITIVITY

RX-FM4SF 433.92

P.N. 650201096G

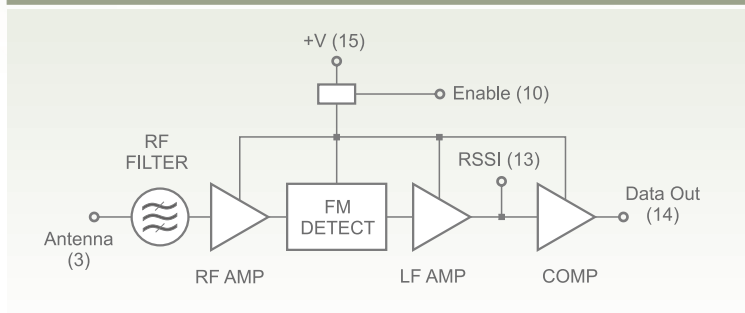
DESCRIZIONE

Ricevitore supereterodina FM ad elevata sensibilità e selettività, munito di filtro SAW front-end che lo rende altamente immune ai disturbi. Grazie al pin di enable il ricevitore può assumere lo stato di power-down in assenza di segnale e minimizzare così il consumo a 0,5 µA. Ideale per codifica Keeloq di Microchip.

DESCRIPTION

High sensitivity and sensibility super-het receiver FM receiver. Front-end SAW filtered to an higher electromagnetic immunity. Enable pin allows to reach power-down mode without signal and reduce consumption up to 0.5 µA. Ideal for Microchip Keeloq encoders..

BLOCK DIAGRAM



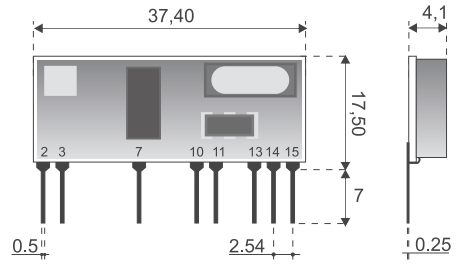
TECHNICAL SPECIFICATION

CHARACTERISTICS	
Supply Voltage	Alimentazione
Supply Current	Corrente Assorbita
Power-down	Power-down
Reception frequency	Frequenza di ricezione
RF sensitivity ⁽¹⁾	Sensibilità RF ⁽¹⁾
RF Bandwidth - 3dB	Banda passante RF a - 3dB
IF Bandwidth - 3dB	Banda passante IF a - 3dB
Square wave output	Onda quadra in uscita
Logic level "1"	Livello logico alto d'uscita
Logic level "0"	Livello logico basso d'uscita
Antenna RF emission	Emissioni RF spurie in antenna
Switch-on time ⁽²⁾	Tempo di accensione ⁽²⁾
Operating temperature range	Temperatura di lavoro


⁽¹⁾ RF generator with 100% modulation

⁽²⁾ Time needed to achieve declared features leaving power-down mode.

DIMENSIONS



COMPONENT SIDE



PIN-OUT

- 2) Ground
- 3) Antenna
- 7) Ground
- 10) Enable
- 11) Ground
- 13) RSSI Out - Test point
- 14) Data Out
- 15) +V

APPLICATIONS

- Home security
- Access control
- Burglar alarms
- Car alarms

Information subject to change without notice

Ta = 25 °C

MIN	TYP	MAX	UNIT
4.5	5	5.5	Vdc
	5.6	6.0	mA
	0.5		µA
	433.92		MHz
	-105	-106	dBm
	600		KHz
	110		KHz
0.5	3.0	3.8	KHz
0.8 Vd			V
		0.2 Vd	V
		- 60	dBm
	1.5	2	mS
-20		+80	°C

X-ON Electronics

Largest Supplier of Electrical and Electronic Components

Click to view similar products for [RF Modules](#) category:

Click to view products by [Aurel](#) manufacturer:

Other Similar products are found below :

[HMC-C009](#) [HMC-C011](#) [nRF24L01P-MODULE-PCB](#) [HMC-C021](#) [HMC-C024](#) [XB9XT-DPRS-721](#) [XBP9B-DMUTB022](#) [nRF24L01P-MODULE-SMA](#) [CMD-KEY2-418-CRE](#) [XM-C92-2P-UA](#) [XB9XT-DPUS-721](#) [V640-A90](#) [HMC-C583](#) [MAAM-008818-TR3000](#) [MTSMC-H5-U](#) [SIMSA868-PRO](#) [SIMSA915C-PRO](#) [SIMSA868C-PRO](#) [SIMSA433C-PRO](#) [SIMSA915-PRO](#) [XBP9B-DMUT-042](#) [HMC-C582](#) [HMC-C022](#) [XBP9B-DPST-041](#) [XBP9B-DMWT-042](#) [SM-MN-00-HF-RC](#) [HMC-C031](#) [MT-02](#) [M1002GB](#) [702-W](#) [SIMSA868C-N-PRO](#) [SIMSA433C-N-PRO](#) [SIMSA915C-N-PRO](#) [ADP-R202-00B](#) [PEPPER WIRELESS C1 USB](#) [S2-10732-Z1T61](#) [S2-107XB-Z2356-Z2352](#) [S2-10672-Z1L85](#) [S2-10686-Z1L1D](#) [S2-10688-Z1L1T](#) [S2-106BA-Z1P20](#) [S2-1060C-Z1F0A](#) [S2-106R4-Z1Q6F-Z1Q6Q](#) [S2-106R4-Z1Q6J-Z1Q6Q](#) [S2-106RB-Z1Q6V-Z1Q6Q](#) [S2-107DR-Z1Y5B](#) [SU60-2230C-PU](#) [RC-TFSK3-868](#) [NANO RFID POE](#) [RFID USB POCKET](#)