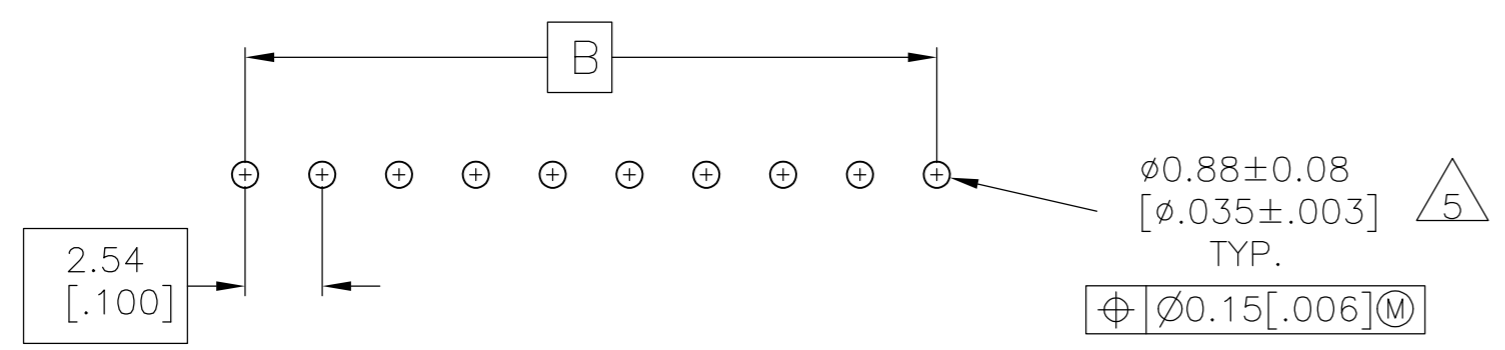
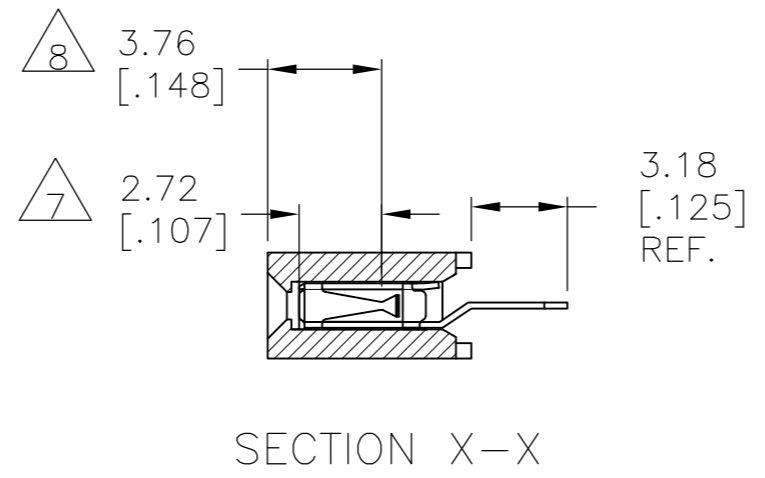
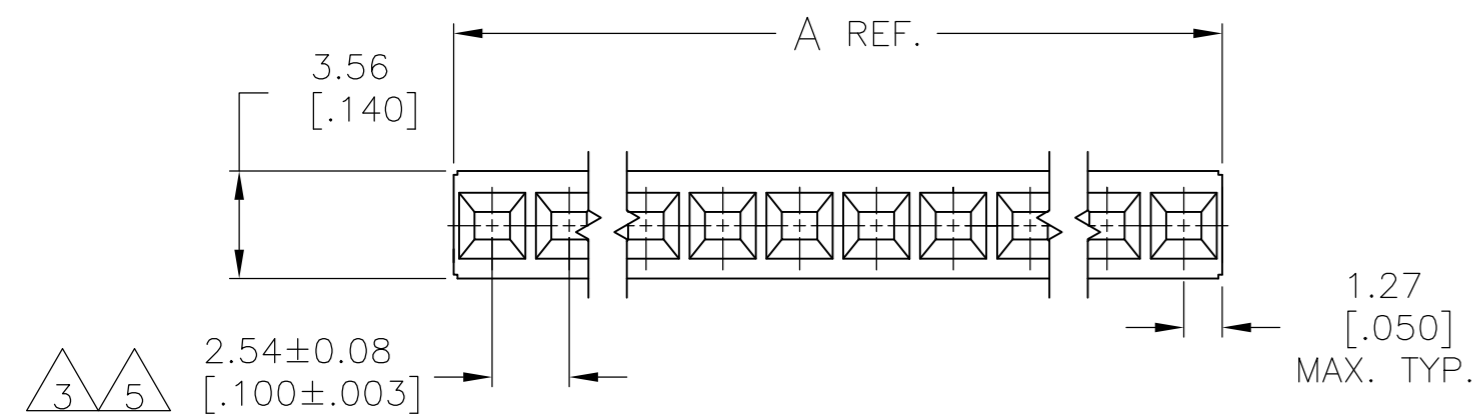
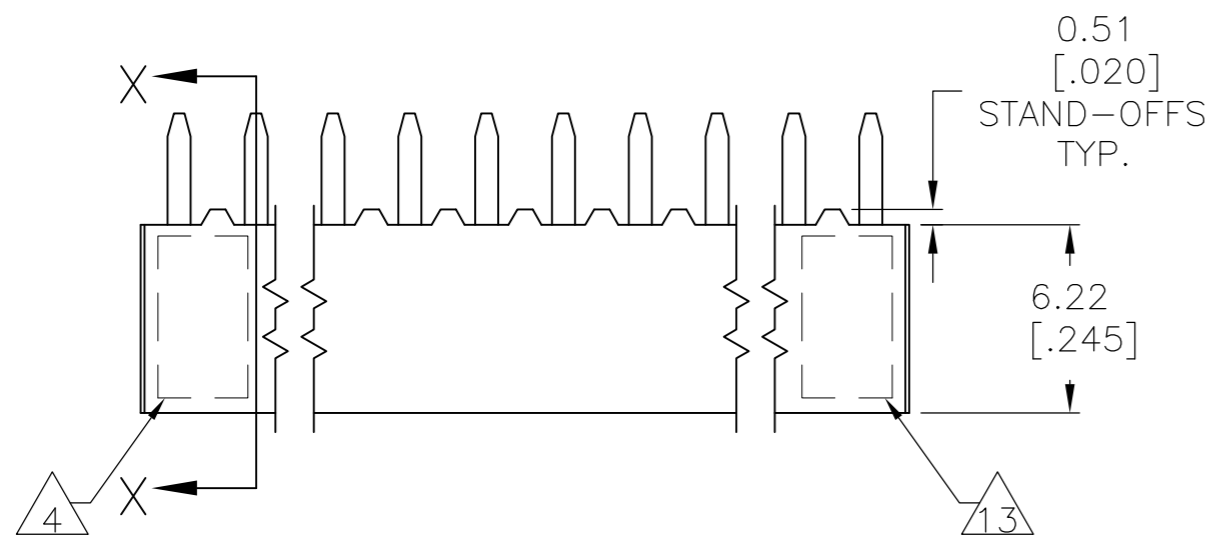


THIS DRAWING IS UNPUBLISHED. RELEASED FOR PUBLICATION
 © COPYRIGHT BY TYCO ELECTRONICS CORPORATION. ALL RIGHTS RESERVED.

LOC		DIST		REVISIONS			
P	LTR	DESCRIPTION		DATE	DWN	APVD	
	R1	REVISED PER ECO-08-019092		05AUG08	HMR	JO	



- 1 HOUSING: FLAME RETARDANT, GLASS FILLED, THERMOPLASTIC, COLOR: BLACK. CONTACT: PHOSPHOR BRONZE
- 2 CONTACT: 2.54-5.08µm[.000100-.000200] BRIGHT TIN-LEAD OVER 1.27µm[.000050] NICKEL
- 3 THESE DIMENSIONS PERTAIN TO CAVITY CENTERLINES ONLY - NOT TO CONTACT LOCATIONS
- 4 PART NUMBER AND DATE CODE ARE MARKED IN APPROXIMATE LOCATION SHOWN.
- 5 TOLERANCE IS NON-CUMULATIVE.
- 6 2 POSITION DATE CODE IS MARKED OPPOSITE SIDE OF TE LOGO.
- 7 POINT-OF-MEASUREMENT DIMENSION FOR PLATING THICKNESS (INSIDE CONTACT BEAM).
- 8 POINT-OF-CONTACT DIMENSION.
- 9 CONTACT: 3.81-7.62µm[.000150-.000300] MATTE TIN OVER 1.27µm[.000050] MIN. NICKEL
- 11 ROHS 2002/95/EC COMPLIANT
- 12 NO PART NUMBER MARKING REQUIRED FOR THIS PART.
- 13 TE LOGO AND CSA LOGO MOLDED INTO HOUSING, THIS LOCATION.

THIS DRAWING IS A CONTROLLED DOCUMENT.		DWN M.BINNER 05NOV02	Tyco Electronics Corporation Harrisburg, Pa 17105-3608	
DIMENSIONS: mm [INCHES]		CHK J.OLSON 05NOV02	NAME RECPT. ASSY., MOD IV, SINGLE ROW, .100 CL., VERTICAL BOARD MOUNT, CLOSED, TOP ENTRY, SHORT PNT. OF CONTACT	
TOLERANCES UNLESS OTHERWISE SPECIFIED:		APVD J.OLSON 05NOV02	PRODUCT SPEC 108-25022	
0 PLC ± -		APPLICATION SPEC 114-25018		
1 PLC ± -		WEIGHT -		
2 PLC ± 0.25[.010]		SIZE A2		
3 PLC ± 0.13[.005]		CAGE CODE 00779		
4 PLC ± -		DRAWING NO C=535584		
ANGLES ± -		RESTRICTED TO -		
FINISH 2		SCALE 4:1		
MATERIAL 1		SHEET 1 OF 2		
CUSTOMER DRAWING		REV R1		

THIS DRAWING IS UNPUBLISHED. RELEASED FOR PUBLICATION
 © COPYRIGHT BY TYCO ELECTRONICS CORPORATION. ALL RIGHTS RESERVED.

LOC	DIST	REVISIONS			
P	LTR	DESCRIPTION	DATE	DWN	APVD
AD	00	SEE SHEET 1	-	-	-

SUPERCEDED BY 6-535584-5

FINISH	B	A	NO OF POSN	PART NUMBER
12	2.54 [.100]	5.08 [.200]	2	6 8-535584-9
	96.52 [3.800]	99.06 [3.900]	39	8-535584-8
	93.98 [3.700]	96.52 [3.800]	38	8-535584-7
	91.44 [3.600]	93.98 [3.700]	37	8-535584-6
	88.90 [3.500]	91.44 [3.600]	36	8-535584-5
	86.36 [3.400]	88.90 [3.500]	35	8-535584-4
	83.82 [3.300]	86.36 [3.400]	34	8-535584-3
	81.28 [3.200]	83.82 [3.300]	33	8-535584-2
	78.74 [3.100]	81.28 [3.200]	32	8-535584-1
	76.20 [3.000]	78.74 [3.100]	31	8-535584-0
	71.12 [2.800]	73.66 [2.900]	29	7-535584-9
	68.58 [2.700]	71.12 [2.800]	28	7-535584-8
	66.04 [2.600]	68.58 [2.700]	27	7-535584-7
	63.50 [2.500]	66.04 [2.600]	26	7-535584-6
	60.96 [2.400]	63.50 [2.500]	25	7-535584-5
	58.42 [2.300]	60.96 [2.400]	24	7-535584-4
	55.88 [2.200]	58.42 [2.300]	23	7-535584-3
	53.34 [2.100]	55.88 [2.200]	22	7-535584-2
	50.80 [2.000]	53.34 [2.100]	21	7-535584-1
9 11	99.06 [3.900]	101.60 [4.000]	40	7-535584-0
	73.66 [2.900]	76.20 [3.000]	30	6-535584-9
	48.26 [1.900]	50.80 [2.000]	20	6-535584-8
	45.72 [1.800]	48.26 [1.900]	19	6-535584-7
	40.64 [1.600]	43.18 [1.700]	17	6-535584-6
	38.10 [1.500]	40.64 [1.600]	16	6-535584-5
	35.56 [1.400]	38.10 [1.500]	15	6-535584-4
	33.02 [1.300]	35.56 [1.400]	14	6-535584-3
	30.48 [1.200]	33.02 [1.300]	13	6-535584-2
	27.94 [1.100]	30.48 [1.200]	12	6-535584-1
	25.40 [1.000]	27.94 [1.100]	11	6-535584-0
	22.86 [.900]	25.40 [1.000]	10	5-535584-9
	20.32 [.800]	22.86 [.900]	9	5-535584-8
	17.78 [.700]	20.32 [.800]	8	5-535584-7
	15.24 [.600]	17.78 [.700]	7	5-535584-6
	10.16 [.400]	12.70 [.500]	5	5-535584-5
	7.62 [.300]	10.16 [.400]	4	5-535584-4
	5.08 [.200]	7.62 [.300]	3	5-535584-3
	43.18 [1.700]	45.72 [1.800]	18	5-535584-2
	12.70 [.500]	15.24 [.600]	6	5-535584-1

FINISH	B	A	NO OF POSN	PART NUMBER
11 12	38.10 [1.500]	40.64 [1.600]	16	4-535584-0
12	2.54 [.100]	5.08 [.200]	2	6 3-535584-9
	96.52 [3.800]	99.06 [3.900]	39	3-535584-8
	93.98 [3.700]	96.52 [3.800]	38	3-535584-7
	91.44 [3.600]	93.98 [3.700]	37	3-535584-6
	88.90 [3.500]	91.44 [3.600]	36	3-535584-5
	86.36 [3.400]	88.90 [3.500]	35	3-535584-4
	83.82 [3.300]	86.36 [3.400]	34	3-535584-3
	81.28 [3.200]	83.82 [3.300]	33	3-535584-2
	78.74 [3.100]	81.28 [3.200]	32	3-535584-1
	76.20 [3.000]	78.74 [3.100]	31	3-535584-0
	71.12 [2.800]	73.66 [2.900]	29	2-535584-9
	68.58 [2.700]	71.12 [2.800]	28	2-535584-8
	66.04 [2.600]	68.58 [2.700]	27	2-535584-7
	63.50 [2.500]	66.04 [2.600]	26	2-535584-6
	60.96 [2.400]	63.50 [2.500]	25	2-535584-5
	58.42 [2.300]	60.96 [2.400]	24	2-535584-4
	55.88 [2.200]	58.42 [2.300]	23	2-535584-3
	53.34 [2.100]	55.88 [2.200]	22	2-535584-2
	50.80 [2.000]	53.34 [2.100]	21	2-535584-1
2	99.06 [3.900]	101.60 [4.000]	40	2-535584-0
	73.66 [2.900]	76.20 [3.000]	30	1-535584-9
	48.26 [1.900]	50.80 [2.000]	20	1-535584-8
	45.72 [1.800]	48.26 [1.900]	19	1-535584-7
	40.64 [1.600]	43.18 [1.700]	17	1-535584-6
	38.10 [1.500]	40.64 [1.600]	16	1-535584-5
	35.56 [1.400]	38.10 [1.500]	15	1-535584-4
	33.02 [1.300]	35.56 [1.400]	14	1-535584-3
	30.48 [1.200]	33.02 [1.300]	13	1-535584-2
	27.94 [1.100]	30.48 [1.200]	12	1-535584-1
	25.40 [1.000]	27.94 [1.100]	11	1-535584-0
	22.86 [.900]	25.40 [1.000]	10	535584-9
	20.32 [.800]	22.86 [.900]	9	535584-8
	17.78 [.700]	20.32 [.800]	8	535584-7
	15.24 [.600]	17.78 [.700]	7	535584-6
	10.16 [.400]	12.70 [.500]	5	535584-5
	7.62 [.300]	10.16 [.400]	4	535584-4
	5.08 [.200]	7.62 [.300]	3	535584-3
	43.18 [1.700]	45.72 [1.800]	18	535584-2
	12.70 [.500]	15.24 [.600]	6	535584-1

THIS DRAWING IS A CONTROLLED DOCUMENT.

DWN M.BINNER 05NOV02
 CHK J.OLSON 05NOV02
 APVD J.OLSON 05NOV02

NAME Tyco Electronics Corporation
 Harrisburg, Pa 17105-3608

PRODUCT SPEC 108-25022
 APPLICATION SPEC 114-25018

SIZE A2 CAGE CODE 00779 DRAWING NO C=535584 RESTRICTED TO -

SCALE 4:1 SHEET 2 OF 2 REV R1

CUSTOMER DRAWING

X-ON Electronics

Largest Supplier of Electrical and Electronic Components

Click to view similar products for [Headers & Wire Housings](#) category:

Click to view products by [TE Connectivity](#) manufacturer:

Other Similar products are found below :

[95000-104TRLF](#) [10135584-644402LF](#) [DF62W-EP2022PCA](#) [95000-106TRLF](#) [DF62W-2022SCA](#) [DF62W-EP2022PC](#) [2203348](#) [DF62W-2022SC](#) [1084018](#) [1029039](#) [1084017](#) [802-10-012-10-002000](#) [1112640](#) [1112639](#) [891-007-9SS-BST1T](#) [000-34000](#) [0008550134](#) [0009482033](#) [0009507031](#) [57102-F02-18ULF](#) [57102-S06-03LF](#) [57202-S52-04LF](#) [PCN6-15S-2.5E](#) [0039019024](#) [58102-G61-06LF](#) [582553-1](#) [0009485154](#) [0009508121](#) [0022285053](#) [0050291907](#) [018731A](#) [LY20-4P-DT1-P1E-BR](#) [02.125.8002.8](#) [60101931](#) [60598-1 \(Cut Strip\)](#) [M1625-3R/100](#) [61062-3](#) [61082-181009](#) [CSU011177004](#) [636-1427](#) [638009-1](#) [641938-9](#) [641991-4](#) [644168-1](#) [644827-2](#) [647662-1](#) [65039-019ELF](#) [65692-001LF](#) [65781-018](#) [65781-047](#)