

PRODUCT NUMBER
SEE TABLE

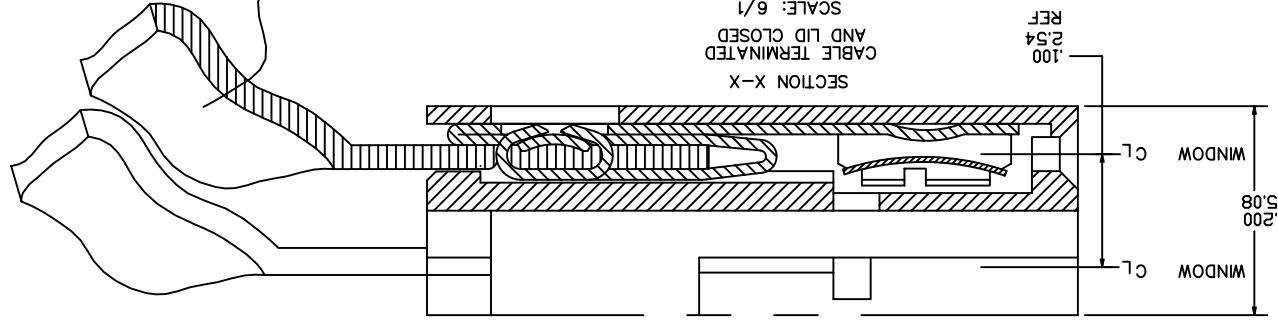
PLATING CODE	TERMINAL	SPRING
1	100u"/.254u MIN. THICK PURE TIN	
2	30u"/.76u MIN. GOLD STRIPE IN BOX AREA	3u"/.08u MIN. GOLD OVER 50u"/1.27u MIN. NICKLE

PRODUCT NUMBER
65801-XXXXLF

LEAD FREE OPTION
NOTE 9,10

NO OF POSITIONS
AND PLATING

BASE PART NUMBER

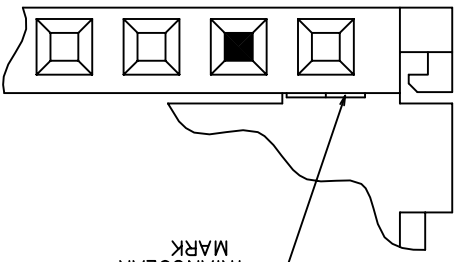


NOTES:

- MOLDING MAT'L: POLYPROPYLENE, FLAME RETARDENT PER UL 94V-0.
- COLOR: BLUE.
- TERMINAL MAT'L: 1/2 HARD CUNI ALLOY, UNS-C72500.
- PLATING: SEE TABULATION AND PLATING TABLE.
- SPRING MAT'L: 1/2 HARD BECU ALLOY, UNS-C17200.
- PLATING: SEE TABULATION AND PLATING TABLE.
- LATCH SWINGS CLOSED AFTER TERMINATION MAINTAINING A MAX OVER ALL HEIGHT OF .100/2.54
- LABEL IN THIS AREA P/N AND DATE LOT CODE (WEEK AND YEAR) ON DASH NO.-067 AND -167 ONLY.
- KNURL MARK INDICATES FOR USE WITH INK TERMINATION. CONSULT WITH BERG ELECTRONICS TECHNICAL REPRESENTATIVE FOR SPECIFIC APPLICATIONS.
- POSITION NUMBERS INITIATE FROM TRIANGULAR MARK ON HOUSING. SEE TABULATION FOR POSITION NO CLOSED AND TERMINAL NO ABSENT. FIG A SHOWS POSITION NO 2 CLOSED.

- AN EIGHT DIGIT PART NUMBER FOLLOWED BY A "J" INDICATES INVENTORY FOR JAPAN ONLY.
- ADD "LF" SUFFIX AT THE END OF PART NUMBER FOR LEAD FREE OPTION.
- THIS PRODUCT MEETS EUROPEAN UNION DIRECTIVES AND OTHER COUNTRY REGULATION AS DESCRIBED IN GS-22-008.
- THE PRODUCT IS NOT INTENDED TO BE EXPOSED TO A MANUFACTURING SOLDER PROCESS

FIG A
NOTE 7



mat'l code	surface	ISO 902	tolerance	ISO 406	ISO 1001	projection	product family	CLINCHER
AM	angles	0°.2°	linear	.XXX±.005/.13	INCH/MM	CLINCHER™ RECEPTACLE ASSEMBLY	title	CLINCHER
lfr	ecn no	dr	date	tolerances unless otherwise specified	scale	3:1	dwg no	sheet 2 of 7 size
sheet	revision	sheet	revision	dr	eng	appd	type	Product Customer Drawing
				T. BREWBAKER	5/17/94	T. HANNA	65801	
				J. MURPHY	5/17/94	T. HANNA	A3	
				T. HANNA	5/17/94	T. HANNA		

PRODUCT NO.	NO. OF POSITIONS	DIM. L	DIM. L	DIM. L	DIM. M	DIM. M	DIM. C	DIM. C	DIM. C	PLATING	TERMINATION	NOTE 9
55801-033	4	0.300	7.62	0.590	14.99	0.515	13.08	2	CONVENTIONAL			NOTES
55801-034	5	0.400	10.16	0.690	17.53	0.615	15.62	2	CONVENTIONAL			
55801-035	6	0.500	12.70	0.790	20.07	0.715	18.16	2	CONVENTIONAL			
55801-036	7	0.600	15.24	0.890	22.61	0.815	20.70	2	CONVENTIONAL			
55801-037	8	0.700	17.78	0.990	25.15	0.915	23.24	2	CONVENTIONAL			
55801-038	9	0.800	20.32	1.090	27.69	1.015	25.78	2	CONVENTIONAL			
55801-039	10	0.900	22.86	1.190	30.23	1.115	28.32	2	CONVENTIONAL			
55801-040	11	1.000	25.40	1.290	32.77	1.215	30.86	2	CONVENTIONAL			
55801-041	12	1.100	27.94	1.390	35.31	1.315	33.40	2	CONVENTIONAL			
55801-042	13	1.200	30.48	1.490	37.85	1.415	35.94	2	CONVENTIONAL			
55801-043	14	1.300	33.02	1.590	40.39	1.515	38.48	2	CONVENTIONAL			
55801-044	15	1.400	35.56	1.690	42.93	1.615	41.02	2	CONVENTIONAL			
55801-045	16	1.500	38.10	1.790	45.47	1.715	43.56	2	CONVENTIONAL			
55801-046	17	1.600	40.64	1.890	48.01	1.815	46.10	2	CONVENTIONAL			
55801-047	18	1.700	43.18	1.990	50.55	1.915	48.64	2	CONVENTIONAL			
55801-048	19	1.800	45.72	2.090	53.09	2.015	51.18	2	CONVENTIONAL			
55801-049	20	1.900	48.26	2.190	55.63	2.115	53.72	2	CONVENTIONAL			
55801-050	21	2.000	50.80	2.290	58.17	2.215	56.26	2	CONVENTIONAL			
55801-051	22	2.100	53.34	2.390	60.71	2.315	58.80	2	CONVENTIONAL			
55801-052	23	2.200	55.88	2.490	63.25	2.415	61.34	2	CONVENTIONAL			
55801-053	24	2.300	58.42	2.590	65.79	2.515	63.88	2	CONVENTIONAL			
55801-054	25	2.400	60.96	2.690	68.33	2.615	66.42	2	CONVENTIONAL			
55801-055	26	2.500	63.50	2.790	70.87	2.715	68.96	2	CONVENTIONAL			
55801-056	27	2.600	66.04	2.890	73.41	2.815	71.50	2	CONVENTIONAL			
55801-057	28	2.700	68.58	2.990	75.95	2.915	74.04	2	CONVENTIONAL			
55801-058	29	2.800	71.12	3.090	78.49	3.015	76.58	2	CONVENTIONAL			
55801-059	30	2.900	73.66	3.190	81.03	3.115	79.12	2	CONVENTIONAL			
55801-060	31	3.000	76.20	3.290	83.57	3.215	81.66	2	CONVENTIONAL			
55801-061	32	3.100	78.74	3.390	86.11	3.315	84.20	2	CONVENTIONAL			
55801-062	3	0.200	5.08	0.490	12.45	0.415	10.54	2	CONVENTIONAL			
55801-063	2	0.100	2.54	0.390	9.91	0.315	8.00	2	CONVENTIONAL			
55801-064	34	3.300	83.82	3.590	91.19	3.515	89.28	1	CONVENTIONAL			
55801-065	33	3.200	81.28	3.490	88.65	3.415	86.74	1	CONVENTIONAL			
55801-066	34	3.300	83.82	3.590	91.19	3.515	89.28	2	CONVENTIONAL			
55801-067	12	1.100	27.94	1.390	35.31	1.315	33.40	2	CONVENTIONAL			NOTE 5

mat'l. code		surface		ISO 902		tolerance		ISO 406		ISO 101	
AM		angles		linear		.XXX±.01/.3		.XXX±.005/.13		INCH/MM	
lfr		ecm no		dr		date		interferences unless otherwise specified		projection	
CLINCHER™ RECEPTACLE ASSEMBLY		scale		3:1		dwg no		65801		Product Customer Drawing	
CLINCHER		product family		sheet		revision		sheet		index	
dr		T. BREWBAKER		5/17/94		eng		T. HANNA		5/17/94	
chr		J. MURPHY		5/17/94		appd		T. HANNA		5/17/94	

6 5 4 3 2 1 0

6 5 4 3 2 1 0



FORM A3

PRODUCT NO.	NO. OF	DIM. L	DIM. L	DIM. L	DIM. M	DIM. M	DIM. C	DIM. C	DIM. C	PLATING	TERMINATION	NOTE 9
	POSITIONS	ENGLISH	METRIC	ENGLISH	METRIC	ENGLISH	METRIC	ENGLISH	METRIC	CODE	NOTE 6	NOTE 9
65801-102	2	0.100	2.54	0.390	9.91	0.315	8.00	1	1	INK		
65801-103	3	0.200	5.08	0.490	12.45	0.415	10.54	1	1	INK		
65801-104	4	0.300	7.62	0.590	14.99	0.515	13.08	1	1	INK		
65801-105	5	0.400	10.16	0.690	17.53	0.615	15.62	1	1	INK		
65801-106	6	0.500	12.70	0.790	20.07	0.715	18.16	1	1	INK		
65801-107	7	0.600	15.24	0.890	22.61	0.815	20.70	1	1	INK		
65801-108	8	0.700	17.78	0.990	25.15	0.915	23.24	1	1	INK		
65801-109	9	0.800	20.32	1.090	27.69	1.015	25.78	1	1	INK		
65801-110	10	0.900	22.86	1.190	30.23	1.115	28.32	1	1	INK		
65801-111	11	1.000	25.40	1.290	32.77	1.215	30.86	1	1	INK		
65801-112	12	1.100	27.94	1.390	35.31	1.315	33.40	1	1	INK		
65801-113	13	1.200	30.48	1.490	37.85	1.415	35.94	1	1	INK		
65801-114	14	1.300	33.02	1.590	40.39	1.515	38.48	1	1	INK		
65801-115	15	1.400	35.56	1.690	42.93	1.615	41.02	1	1	INK		
65801-116	16	1.500	38.10	1.790	45.47	1.715	43.56	1	1	INK		
65801-117	17	1.600	40.64	1.890	48.01	1.815	46.10	1	1	INK		
65801-118	18	1.700	43.18	1.990	50.55	1.915	48.64	1	1	INK		
65801-119	19	1.800	45.72	2.090	53.09	2.015	51.18	1	1	INK		
65801-120	20	1.900	48.26	2.190	55.63	2.115	53.72	1	1	INK		
65801-121	21	2.000	50.80	2.290	58.17	2.215	56.26	1	1	INK		
65801-122	22	2.100	53.34	2.390	60.71	2.315	58.80	1	1	INK		
65801-123	23	2.200	55.88	2.490	63.25	2.415	61.34	1	1	INK		
65801-124	24	2.300	58.42	2.590	65.79	2.515	63.88	1	1	INK		
65801-125	25	2.400	60.96	2.690	68.33	2.615	66.42	1	1	INK		
65801-126	26	2.500	63.50	2.790	70.87	2.715	68.96	1	1	INK		
65801-127	27	2.600	66.04	2.890	73.41	2.815	71.50	1	1	INK		
65801-128	28	2.700	68.58	2.990	75.95	2.915	74.04	1	1	INK		
65801-129	29	2.800	71.12	3.090	78.49	3.015	76.58	1	1	INK		
65801-130	30	2.900	73.66	3.190	81.03	3.115	79.12	1	1	INK		
65801-131	31	3.000	76.20	3.290	83.57	3.215	81.66	1	1	INK		
65801-132	32	3.100	78.74	3.390	86.11	3.315	84.20	1	1	INK		

mat'l. code		surface	ISO 902	tolerance	ISO 406	ISO 701	projection	product family	CLINCHER
lit	ec'n no	dr	date	tolerances unless otherwise specified			angles	linear	.XXX±.01/.3
									INCH/MM
									scale
									3:1
									dwg no
									sheet 5 of 7 size
									type
									Product Customer Drawing
									revision
									sheet
									index

dr T.BREWBAKER 5/17/94
 eng'g T. HANNA 5/17/94
 chr J.MURPHY 5/17/94
 app'd T. HANNA 5/17/94

AM
 .XXX±.01/.3
 .XXX±.005/.13
 .XXX±.0020/.051

title CLINCHER™ RECEPTACLE ASSEMBLY
 product family CLINCHER

6 5 4 3 2 1 0

PRODUCT NO.	NO. OF POSITIONS	DIM. L	DIM. L	DIM. M	DIM. M	DIM. M	DIM. C	DIM. C	DIM. C	PLATING	TERMINATION	CLOSED POS.	TERMINAL ABSENT
65801-201	16	1.500	38.10	1.790	45.47	1.715	43.56	1	CONVENTIONAL	4	4.5.6	NOTE 7	
65801-202	5	0.400	10.16	0.690	17.53	0.615	15.62	2	CONVENTIONAL	3	3	NOTE 7	
65801-203	7	0.600	15.24	0.890	22.61	0.815	20.70	2	CONVENTIONAL	6	1.2.6.7		
65801-204	10	0.900	22.86	1.190	30.23	1.115	28.32	1	CONVENTIONAL	4	4		
65801-205	6	0.500	12.70	0.790	20.07	0.715	18.16	1	CONVENTIONAL	5	5		
65801-206	5	0.400	10.16	0.690	17.53	0.615	15.62	1	CONVENTIONAL	4	4		
65801-207	7	0.600	15.24	0.890	22.61	0.815	20.70	2	CONVENTIONAL	N/A	N/A		
65801-208	4	0.300	7.62	0.590	14.99	0.515	13.08	1	CONVENTIONAL	N/A	N/A		2.3
65801-209	3	0.200	5.08	0.490	12.45	0.415	10.54	1	CONVENTIONAL	N/A	N/A		2

mat'l. code		surface	ISO 902	tolerance	ISO 406	ISO 701	projection	product family	CLINCHER
lit	ecn no	dr	date	tolerances unless otherwise specified			angles	linear	.xxx±.01/.3
AM				0.2°			INCH/MM		
				scale	3:1				
		dr	T. BREWBAKER	5/17/94					
		engr	T. HANNA	5/17/94					
		chr	J. MURPHY	5/17/94					
		apd	T. HANNA	5/17/94					
sheet	revision								
index	sheet								

CLINCHER™ RECEPTACLE ASSEMBLY
 sheet 7 of 7 size
 65801
 Product Customer Drawing



X-ON Electronics

Largest Supplier of Electrical and Electronic Components

Click to view similar products for [FFC & FPC Connectors](#) category:

Click to view products by [Amphenol](#) manufacturer:

Other Similar products are found below :

[HFW11R-1STE1H1LF](#) [FH29B-100S-0.2SHW\(99\)](#) [FA5S008HP1](#) [FH29B-120S-0.2SHW\(99\)](#) [FH29B-80S-0.2SHW\(99\)](#) [FHS-16](#) [FPH-2022G](#)
[52610-1075](#) [52610-1275](#) [52610-1934](#) [XF3M\(1\)-1415-1B-R100](#) [501864-3091-TR225](#) [0525594033](#) [086210010340800](#) [086222026001800](#)
[52271-2869-CUT-TAPE](#) [62674-201121DLF](#) [62684-36210E9ALF](#) [52610-1675](#) [52746-1671-TR250](#) [10051922-2810EHLF](#) [6-520415-9](#)
[BD021-09A-A1-0350-0200-0550-LD](#) [SFV6R-1STE9HLF](#) [XF3M-2915-1B-R100](#) [1658549-1](#) [62674-221121ALF](#) [46214008010800](#)
[046298003000883](#) [151660622](#) [842-816-2630-035](#) [AYF530665TA](#) [AYF351525](#) [046296011930846+](#) [AYF352325A](#) [046254020000800+](#)
[FH19C-13S-0.5SH\(99\)](#) [FH39J-51S-0.3SHW\(99\)](#) [AYF355125A](#) [AYF530365TA](#) [FH29B-44S-0.2SHW\(99\)](#) [SFW5R-2STAE9LF](#) [AYF351125A](#)
[AYF350725A](#) [62684-502100AHLF](#) [FH39-61S-0.3SHW\(99\)](#) [AYF414035A](#) [10064555-172520HLF](#) [AYF212335A](#) [504754-2500](#)