

MINI USB CONNECTOR ESB 3 SERIES (CONNECTOR)

FEATURES

- Ultra-small size achieved universal series bus connector.
- Both 4Pin type and 5Pin (One ID pin) type are 0.8mm pitch.
- 5Pin type connector and cables are USB 2.0 approval.
- Receptacle and plug housing are UL 94V-0 grade fire retardant.
- Gold plated contact ensure low contact resistance.
- To make sure your connections are perfect every time.
- EMI protection by shielding features.

APPLICATIONS

- Ideal for connecting portable PCs as slim notebook PCs and handheld PCs to small, slim peripheral equipment (digital cameras, small mouse, PDA, MP3, Hub etc.).

SPECIFICATIONS

1.ELECTRICAL

- Voltage rating: 30VAC(rms)
- Current rating: 1Amp
- Contact resistance: 50mΩ Max.
- Insulation resistance: 100MΩ Min.
- Dielectric strength: 100VAC Min.

2.MECHANICAL

- Durability:
1500 cycles (for 4 pin)
5000 cycles (for 5pin)
- Mating force: 35N Max.
- Unmating force: 2.9N Min.

DIMENSIONS (UNIT:mm)

ESB3A101211Z



ESB37



A TYPE CONNECTOR (4 pin)



B TYPE CONNECTOR (4 pin)



B TYPE CONNECTOR (5 pin)



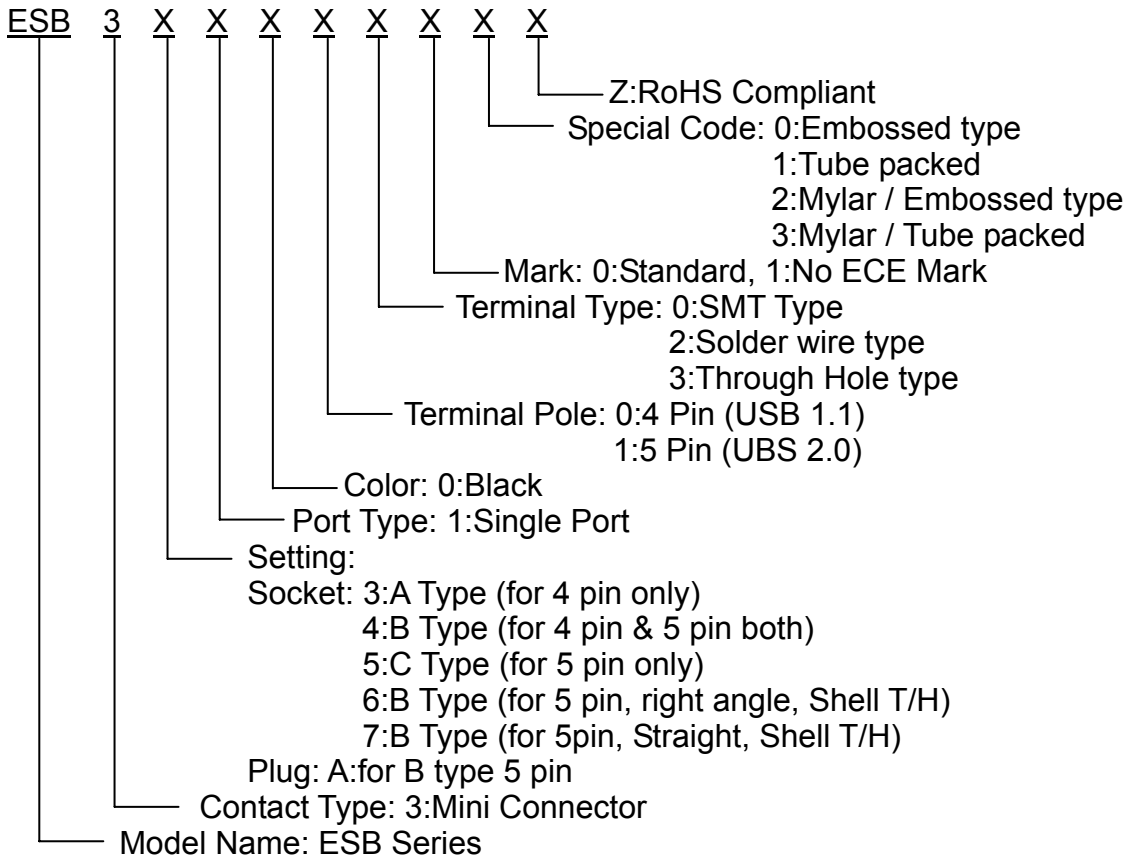
B TYPE CONNECTOR (5 pin, T/H)



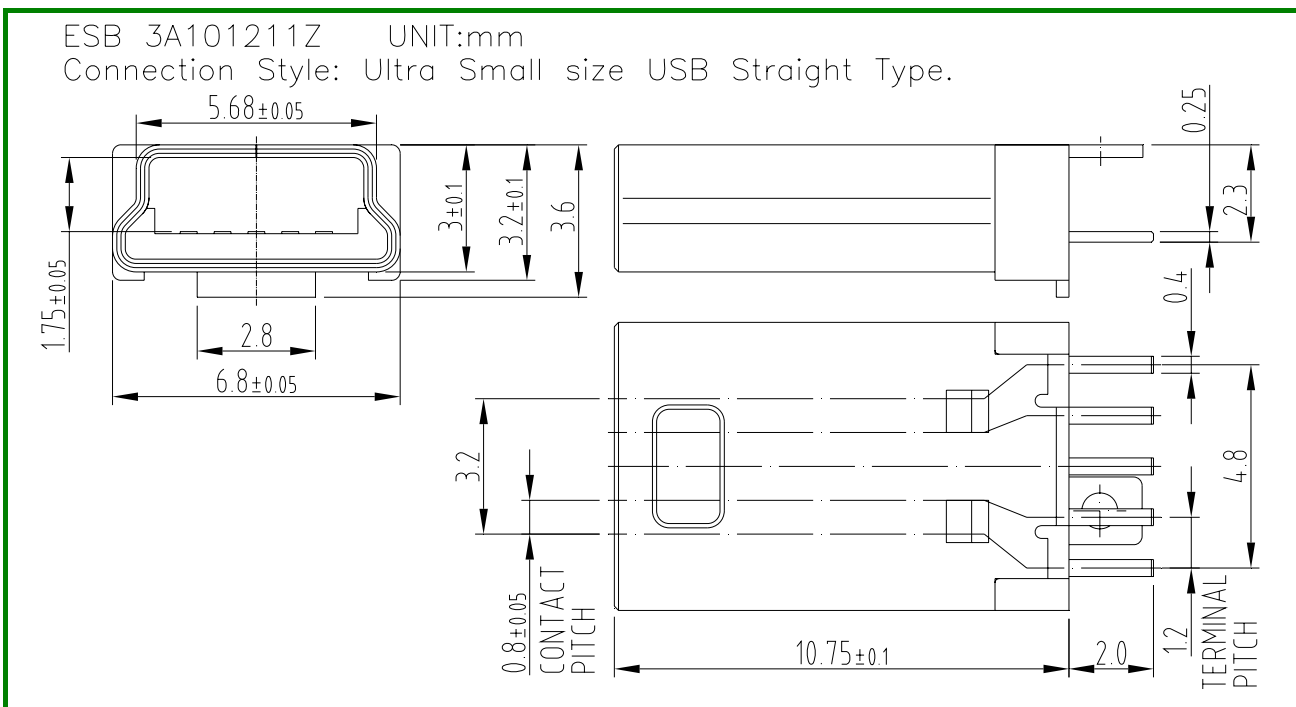
C TYPE CONNECTOR (5 pin)



■ PART NUMBERING SYSTEM

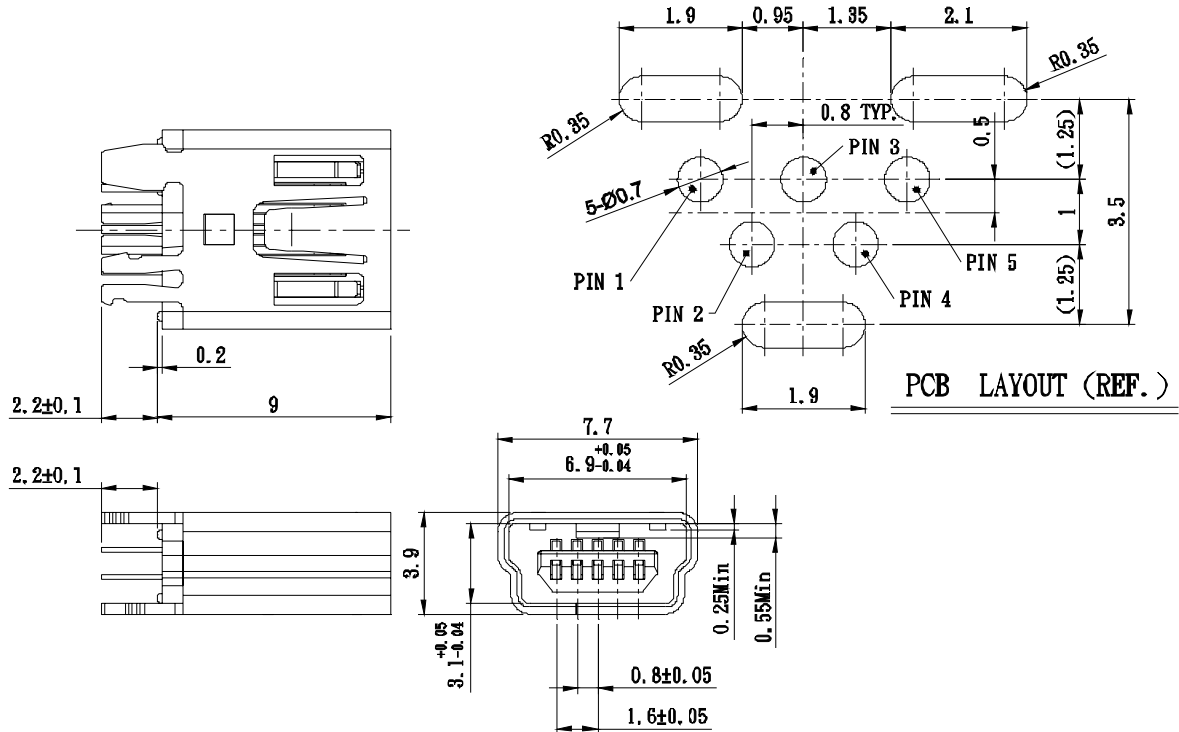


■ DIMENSIONS (UNIT:mm)



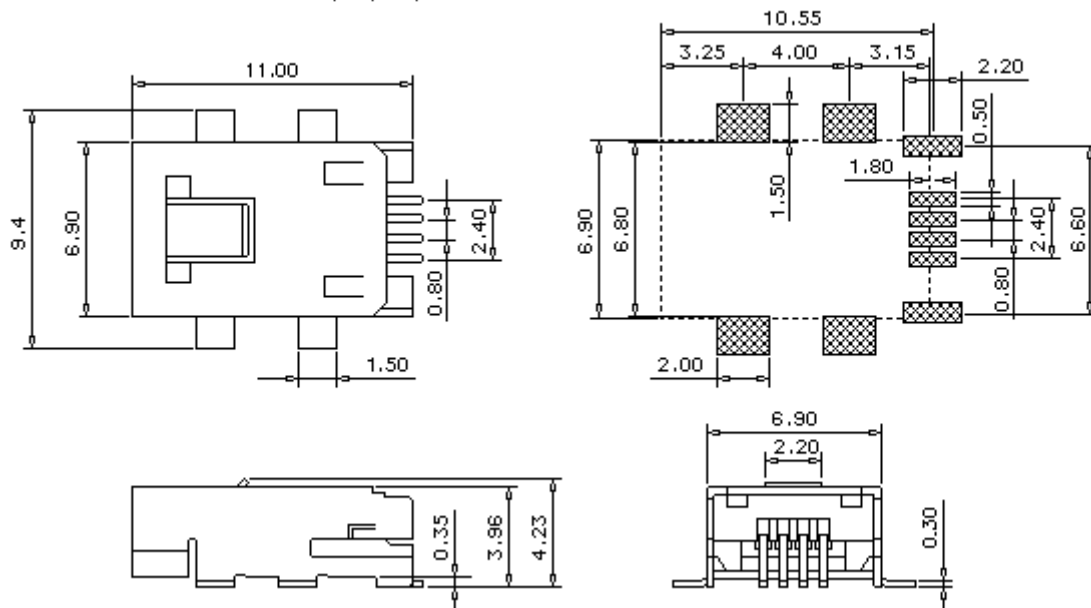
ESB37 UNIT:mm

Connection Style: Mini B Straight Type.

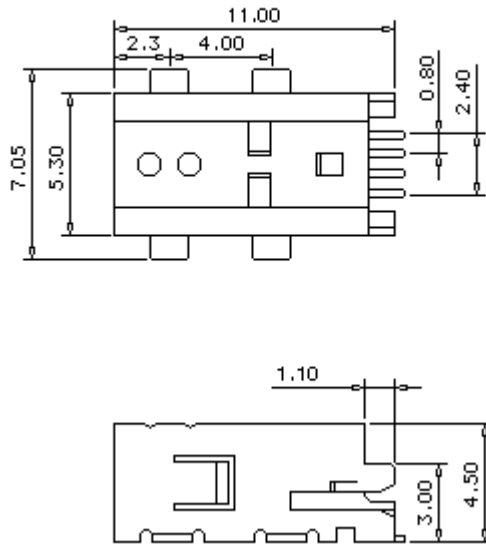


A TYPE CONNECTOR (4 pin) UNIT:mm

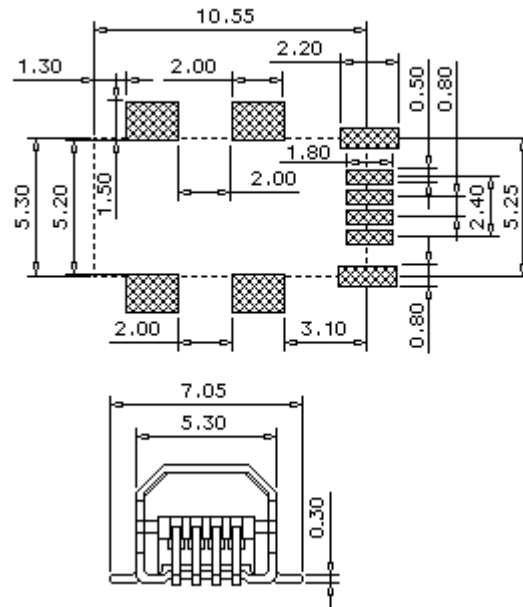
P.C.B. LAYOUT



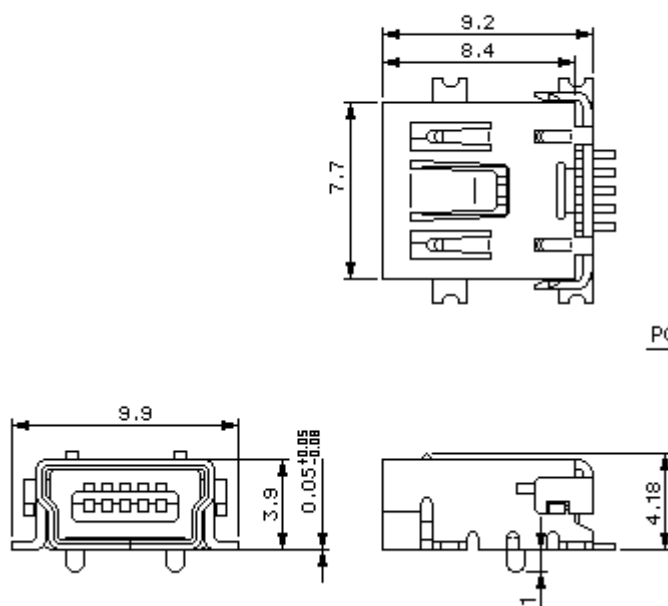
B TYPE CONNECTOR (4 pin) UNIT: mm



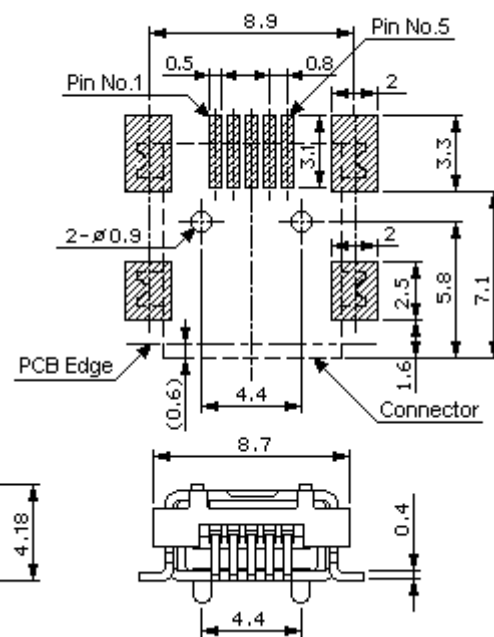
P.C.B. LAYOUT



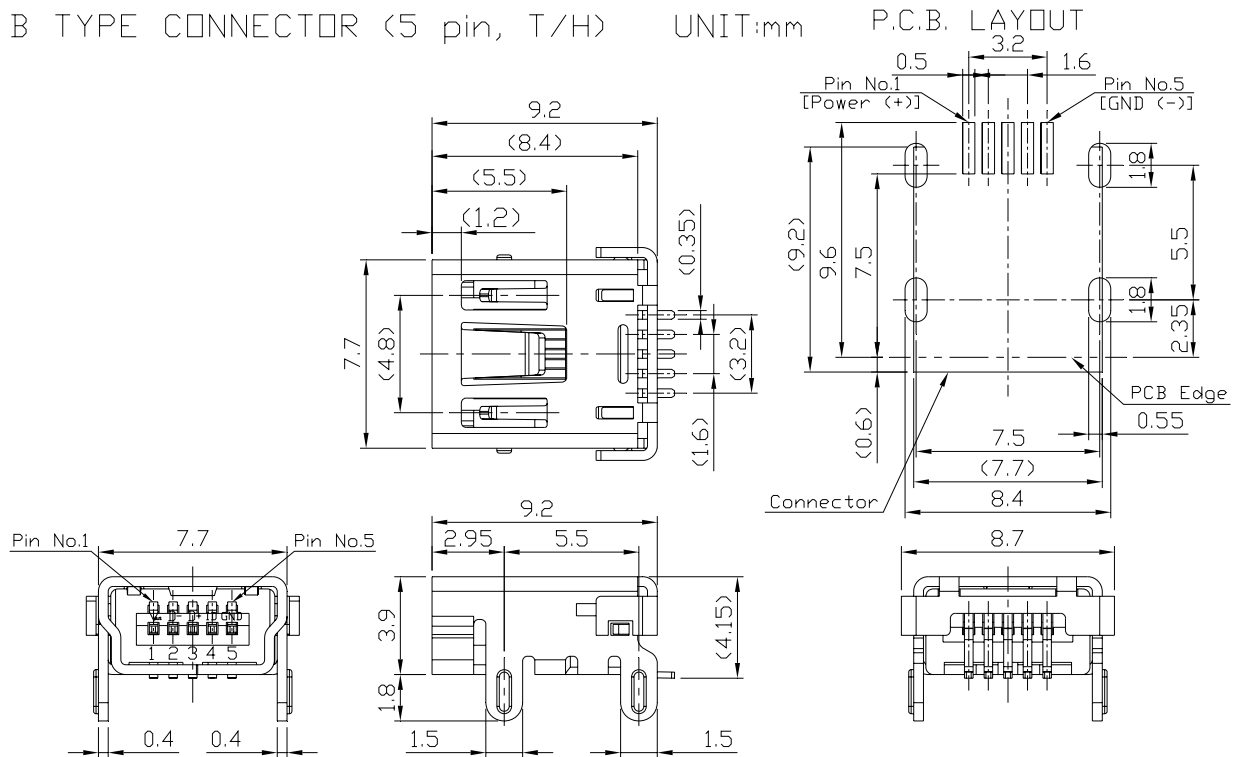
B TYPE CONNECTOR (5 pin) UNIT: mm



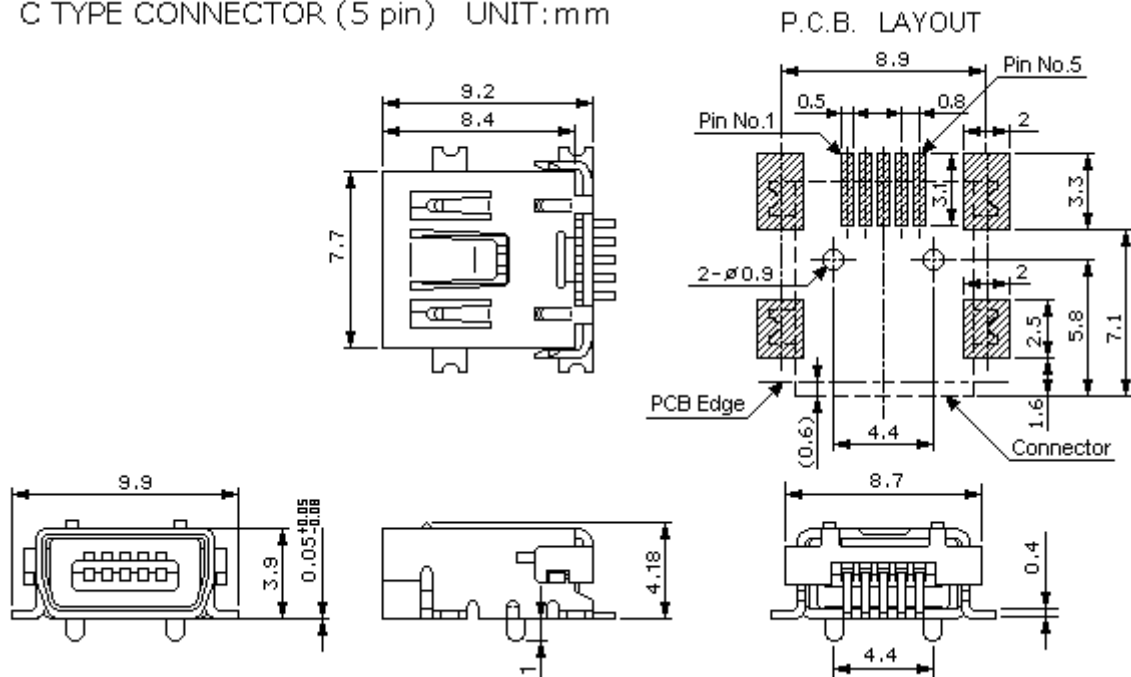
P.C.B. LAYOUT



B TYPE CONNECTOR (5 pin, T/H) UNIT:mm



C TYPE CONNECTOR (5 pin) UNIT:mm



X-ON Electronics

Largest Supplier of Electrical and Electronic Components

Click to view similar products for [USB Cables / IEEE 1394 Cables category](#):

Click to view products by [ECC manufacturer](#):

Other Similar products are found below :

[68768-0173](#) [FNY-W6003-01](#) [88764-0800](#) [13805532](#) [148700-1](#) [17-200621](#) [17-250051P](#) [954](#) [AC102012-2](#) [IP-USB1\(C10\)S-RW](#)
[CABLE/RTP/USB/DT](#) [0847290003](#) [10115240-12200LF](#) [RS232-GTD](#) [USBFTVX2SA2N03A](#) [USBFTV2SA2N03A](#) [1689404-1](#) [FTP-](#)
[629Y401](#) [FTP-628Y402](#) [943301-001](#) [FNY-W6022](#) [FNY-W6003-03](#) [1310-1015-05](#) [1310-1019-04](#) [0887283402](#) [UA-30AMFM-SL7B02](#) [UA-](#)
[30AMFM-SL7B01](#) [UA-30AFM-LD7B03](#) [UA-30AMFM-SL7B03](#) [USBAPSCC7202A](#) [UES-1001A160](#) [UES-1003A160](#)
[USBFTVX7SA2N20A](#) [USBFTVX2SA2N20A](#) [USBFTV2PEMSA2N10A](#) [FTP-629Y602](#) [USBCAMCM100](#) [USB A/F*2 to 2.54 2*5P-SH](#)
[L=400mm](#) [EP-CBUSB10P2FLT](#) [1310-1033-01](#) [1310-1037-04](#) [ASR-USB](#) [68784-0075](#) [17-241361](#) [17-230471](#) [217B-BC02](#) [USB-29](#) [19800-](#)
[010500-200-RS](#) [USB+MINI DIN 6P WITH BKT](#) [088738-8100](#)