




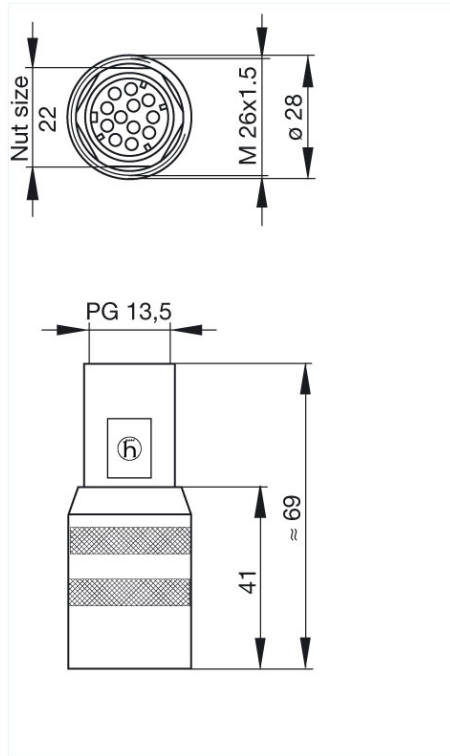
Product information N11R EF S

Industrial Connecting Solutions: Circular Connectors: MIL, DIN, Universal Connectors: DIN 43651 Connectors (NR series): Straight cable socket: N11R EF S

<https://e-catalog.hirschmann.com:443/link/57078-24228-256281-256284-24367-24368-36229/en/conf/ulistate>

Name	N11R EF S
	
	Straight cable socket, shielded,
Delivery informations	
Availability	available
Product description	
Description	Straight cable socket, shielded,
Type	N11R EF S
Order No.	933 700-001
Type of contact	female
Number of contacts	11 + PE
Cable gland	PG 13.5
Conductor size	max. 0.5 mm ²
Standard	DIN 43651
Housing Color	metallic
Technical data	
Pin dimensions	1.6 mm
Rated voltage	AC 25 V / DC 50 V
Rated current	5 A
Contact resistance	<= 5 mOhm
Type of termination	crimp
Suitable cables	0.14 mm ² to 0.5 mm ²
Material	
Contact surface material	Ag
Contact bearer material	PET
Environmental conditions	
Protection class (IEC 60529)	IP 65
Temperature range	-40 °C to +90 °C
Packing unit	
Packaging unit	10 pieces
Scope of delivery and accessories	
Scope of delivery	1 cable sockets, not assembled, in polythene bag, with assembly instructions
Accessories to order separately	can be plugged into N11R AM, N11R AM 5; EMV-PG-cable gland N6R-41 order no. 734 605-001 EMV-PG-cable gland N6R-42 order no. 734 606-001 contacts: RBC 162/1

Picture
Drawing



Belden Deutschland GmbH
Im Gewerbepark 2
58579 Schalksmühle
Germany
Phone: +49 7127/14-1806
E-Mail: icos-sales@belden.com

The information published in the websites has been compiled as carefully as possible. It is subject to alteration without notice in technical as well as in price-related/commercial respect. The complete information and data were available on user documentation. Mandatory information can only be obtained by a concrete query.

X-ON Electronics

Largest Supplier of Electrical and Electronic Components

Click to view similar products for [Circular MIL Spec Connector](#) category:

Click to view products by [Belden](#) manufacturer:

Other Similar products are found below :

[89075GULPR](#) [0025-262-542](#) [0025-264-3014](#) [58-570121-04S](#) [0134-213-1208](#) [0134-213-2209](#) [0025-258-000](#) [60-042022-07P](#) [60-042022-19P](#)
[60-042022-23P](#) [60-042217-10P](#) [60-042217-11P](#) [0114-201-1278](#) [012-0467-000](#) [602GB06EG24-61SN](#) [0134-201-1207](#) [0134-213-1006](#) [6104-](#)
[207-2302](#) [6104-208-1902](#) [61-168211-04P](#) [61-168617-10P](#) [6131-202-19149P](#) [6131-204-21149P](#) [6131-208-13149P](#) [6131-209-17149P](#) [6131-](#)
[210-11149P](#) [6131-211-19149P](#) [6131-216-19149P](#) [6131-259-21149P](#) [6131-259-23149P](#) [6131-265-17149P](#) [6131-265-19149P](#) [CS3100A18-1P-](#)
[472](#) [CS3100A-36-77P](#) [CS3101A-16-55P](#) [CS3102A-10SL-55P](#) [CS3102A-14S-58P](#) [CS3102A-18-1P116](#) [CS3102A-32-17P](#) [CS3102A32-25S](#)
[CS3102C18-4P-472](#) [CS3106A10SL3S004](#) [CS3106A-18-73S](#) [CS3108A-14S-52S](#) [CS3108A-28-51S](#) [6162-233-1277](#) [6162-324-1231](#)
[M243082296Z](#) [M2884010AC1S1](#) [CT0-24-10SC](#)