



**Part no.**  
**Article no.**

**SL7-BL230-Y**  
**171400**



Powering Business Worldwide™

**Catalog No.**

**SL7-BL230-Y**

### Delivery programme

Product range  
Basic function  
Protection type  
Rated operational voltage  
Type of light  
Light elements  
Colour

U<sub>e</sub>

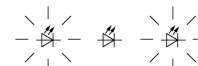
V

SL7 signal towers  
Card with LED  
IP66  
230/240 V AC  
Flashing light  
LED

yellow



Function



Connection to SmartWire-DT

no

### Approvals

Product Standards  
UL File No.  
UL Category Control No.  
CSA File No.  
CSA Class No.  
North America Certification  
Degree of Protection

IEC/EN 60947-5-1; UL 508; CSA-C22.2 No. 14-10; CSA-C22.2 No. 94-91; CE marking  
E29184  
NKCR  
UL report applies to both US and Canada  
NKCR7  
UL listed, certified by UL for use in Canada  
UL Type 4, 4X, 13

### General

Standards  
Climatic proofing  
Mounting position  
Mechanical shock resistance  
IEC degree of protection  
Protection type UL  
Material  
Cap colour  
Ambient temperature  
Number of signal elements  
Weight

|                             |    |  |
|-----------------------------|----|--|
| Standards                   |    | IEC/EN 60947-5-1   |
| Climatic proofing           |    | Damp heat, constant, to IEC 60068-2-78<br>Damp heat, cyclic, to IEC 60069-2-30 |
| Mounting position           |    | As required  |
| Mechanical shock resistance | g  | > 15<br>according to IEC 60068-2-27<br>Shock duration 11 ms<br>Sinusoidal      |
| IEC degree of protection    |    | IP66<br>IEC/EN 60529   |
| Protection type UL          |    | Type 4, 4X, 13   |
| Material                    |    | Enclosure: Polycarbonate (PC), black<br>Cap: Polycarbonate (PC)                |
| Cap colour                  |    | yellow   |
| Ambient temperature         | °C | -30 - +60  |
| Number of signal elements   |    | Max. 5 with standard base<br>Max. 10 with base for mounting on both sides      |
| Weight                      | g  | 80   |

### Contacts

Rated impulse withstand voltage  
Rated insulation voltage  
Overvoltage category/pollution degree

|                  |         |       |
|------------------|---------|-------|
| U <sub>imp</sub> | V<br>AC | 4000  |
| U <sub>i</sub>   | V       | 250   |
|                  |         | III/3 |

### Module

Type of light  
Light elements  
Flashing/strobe frequency  
Leakage current  
lifespan  
Transmission angle  
Current-/power consumption  
230 /240V AC

|  |   |                |
|--|---|----------------|
| Type of light                              |   | Flashing light |
| Light elements                             |   | LED            |
| Flashing/strobe frequency                  |   | 2 Hz           |
| Leakage current                            | A | < 0.003        |
| lifespan                                   | h | > 100000       |
| Transmission angle                         |   | 360°           |
| Current-/power consumption<br>230 /240V AC | A | 0.030 - 0.031  |

## Technical data ETIM 5.0

Low-voltage industrial components (EG000017) / Optical module for signal tower (EC000232)

Electric engineering, automation, process control engineering / Low-voltage switch technology / Command and alarm device / Optical module for signal tower (ecl@ss8-27-37-12-20 [AKF038010])

Function

Colour

Outer diameter

Degree of protection (IP)

Operating voltage at AC 50 Hz

Operating voltage at AC 60 Hz

Operating voltage at DC

Voltage type

Type of lamp

Colour housing

mm

V

V

V

Blinker light

Yellow

73

IP66

230 - 240

230 - 240

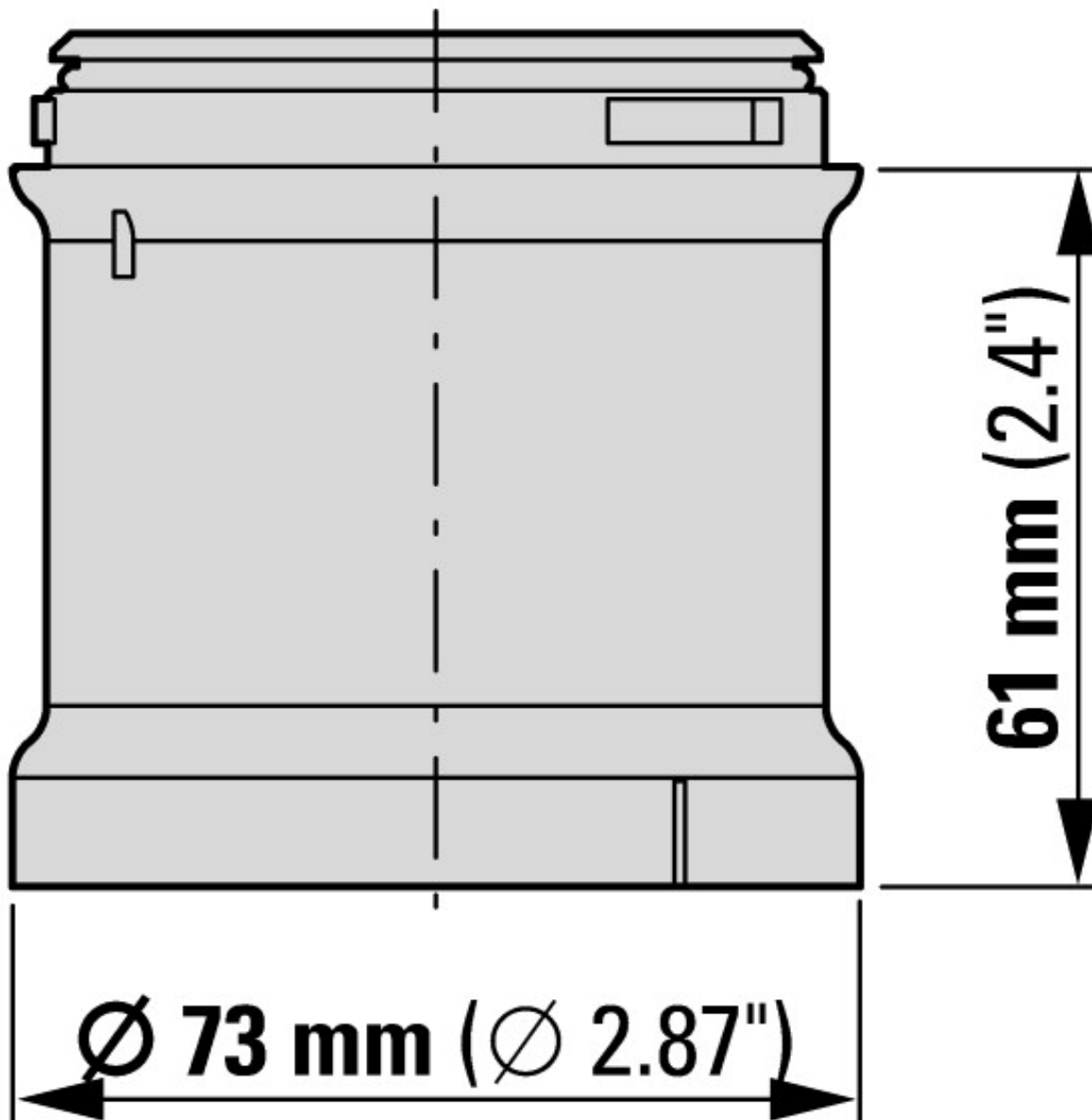
0 - 0

AC

LED

Black

## Dimensions



## Additional product information (links)

### IL047004ZU SL7 Light Modules, Tone Modules

IL047004ZU SL7 Light Modules, Tone Modules

[ftp://ftp.moeller.net/DOCUMENTATION/AWA\\_INSTRUCTIONS/IL047004ZU2013\\_02.pdf](ftp://ftp.moeller.net/DOCUMENTATION/AWA_INSTRUCTIONS/IL047004ZU2013_02.pdf)

IL047004ZU SL7, modules lumineux, modules sonores

[ftp://ftp.moeller.net/DOCUMENTATION/AWA\\_INSTRUCTIONS/IL047004ZU2013\\_02.pdf](ftp://ftp.moeller.net/DOCUMENTATION/AWA_INSTRUCTIONS/IL047004ZU2013_02.pdf)

## X-ON Electronics

Largest Supplier of Electrical and Electronic Components

*Click to view similar products for [Audio Indicators & Alerts](#) category:*

*Click to view products by [Eaton](#) manufacturer:*

Other Similar products are found below :

[M2BJ-BH24E](#) [6-4](#) [68S1240-PA](#) [MBA-624](#) [F/BC 40P-DR LF](#) [FDG111PLF](#) [F/NRMB 24 BLACK LF](#) [PF-35N29WQ](#) [PFD-27A35PQ](#) [PL-27A35PSQ](#) [PS-531Q](#) [AB2020B-2-LW1](#) [EBPT-401](#) [PB06SD12AP](#) [PB-1220PEQ](#) [S6109](#) [SC2036ACP](#) [SC616N-2](#) [SC628FW](#) [SC628MPG](#) [SC648D](#) [SCS045MD9DT3S](#) [AB2025B-LW50-R](#) [ESZ-25B-5-250B](#) [F/BC 35-DR LF](#) [FCM12PLF](#) [F/EB20P-DR LF](#) [F/HU110MP24V-IP67B LF](#) [AI-2835-TF-LW150-2-R](#) [AI-4228-TF-LW305-R](#) [FSMD8585JSLF](#) [FSS-26T](#) [F/SU 21-02 LF](#) [F/TCW 05 WITH LABEL LF](#) [F/UCW 03 WITH LABEL LF](#) [F/UCW 06 WITH LABEL LF](#) [PKM22EPPH40S1-B0](#) [PKM35-4A0](#) [PL-35N29WQ](#) [PLD-27A35PQ](#) [PS-552Q](#) [CM-5](#) [M2BJ-BH24E-D](#) [REF-202](#) [LSC628ANR](#) [5-100](#) [PAL-328](#) [03-810.001](#) [RTO-1R07-001](#) [PL-21N31PQ](#) [PF-27A25PSQ](#)