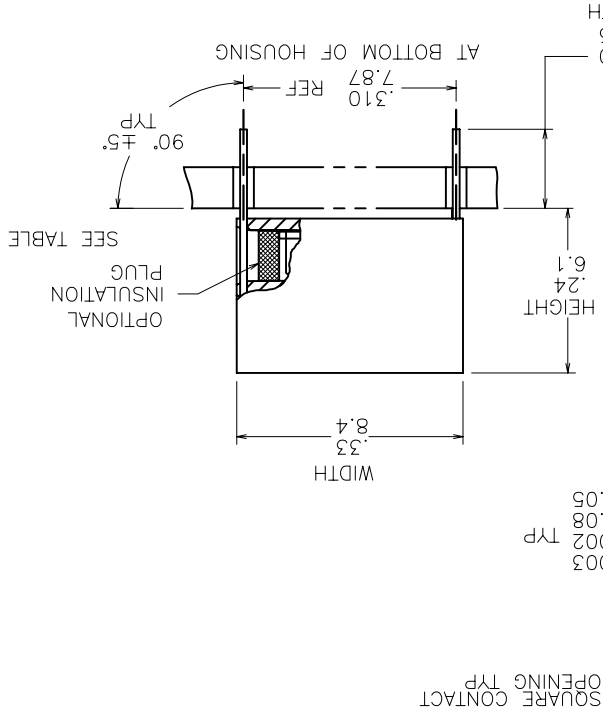
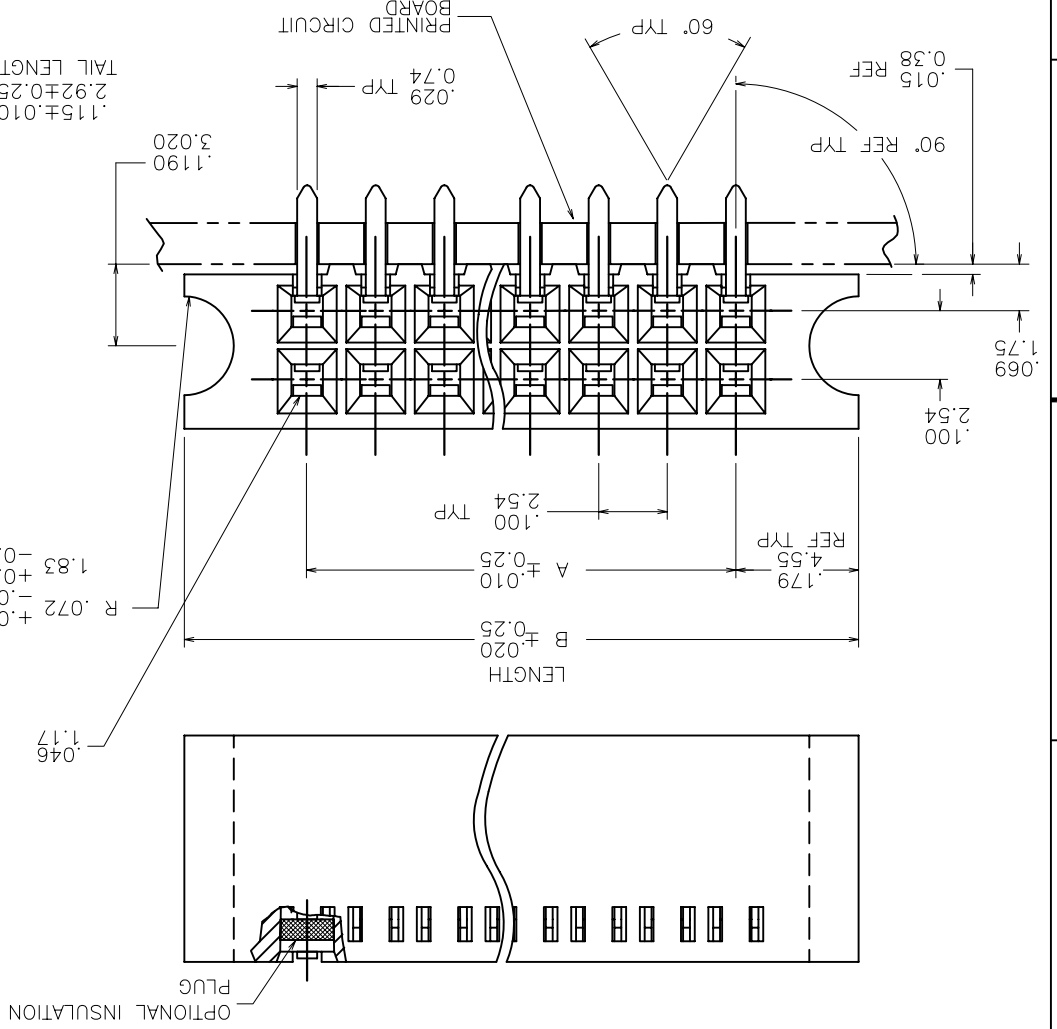
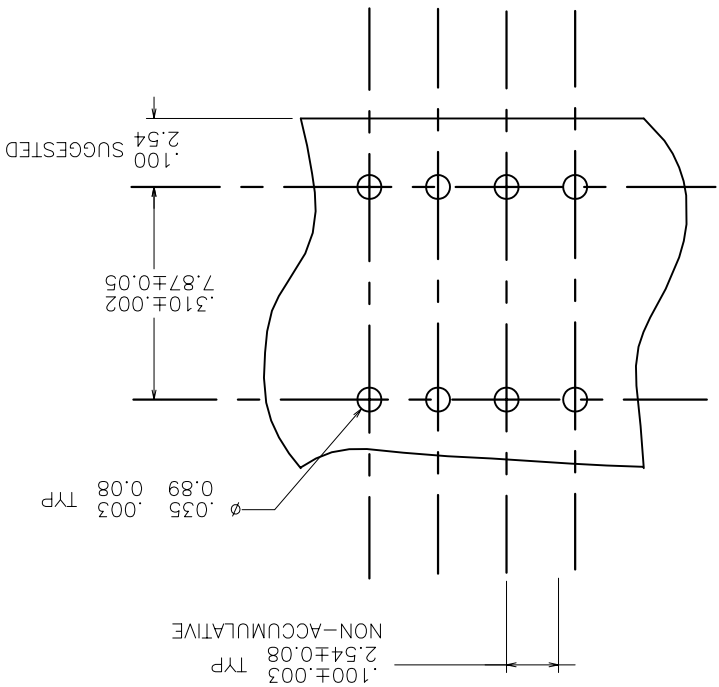


PRODUCT NO.
SEE TABLE



product family CARD CONN.		projection 		surface ISO 1302		tolerance ISO 406 ISO 1101		material code	
title CARD GUIDE PIN		INCH/MM 4:1		linear XXX ±.005/XXX±0.01		angles 0° ±.2°		date 9/17/90	
product Customer Drawing type		scale 4:1		C.DAILY 11/18/02		R V02523 AZ 10/24/00		df date	
dwg no 66527		sheet 1 of 6 size A3		eng H.SUNDY 11/18/02		S V21783 CSD 11/18/02		epd H.SUNDY 8/14/08	
revision V		revision V		revision V		revision V		revision V	
sheet 1		sheet 2		sheet 3		sheet 4		sheet 5	
index 1		index 2		index 3		index 4		index 5	

PRODUCT NO.
SEE TABLE



NOTES:

1. HOUSING MATERIAL:
FILLED HIGH TEMPERATURE NYLON
PER UL 94V-0
COLOR: BLACK
2. TERMINAL MATERIAL:
BODY: BRASS; .010/0.25 THICK
SPRING: BE-CU, HEAT TREATED
BODY PLATING DUPLEX:
30 MICRONCH/0.76 MICRON GOLD OR GXT
OVER 50 MICRONCH/1.27 MICRON NICKEL
IN CONTACT AREA
SOLDER TAIL: 100u"/2.54um PURE TIN MIN
OVER 050u"/1.27um NICKEL
SPRING PLATING: GOLD FLASH

FIGURE 1

3. MARK "FCI", FCI PART NUMBER AND DATE CODE.
LEGIBLE ON TUBE LABEL.
4. APPLICATION INFORMATION:
A. RECOMMENDED MOUNTING HOLE
PATTERN IS SHOWN IN FIGURE "1"
B. ALL MATING PINS TO BE .025/.64 SQUARE ON
TRUE CENTER OF GIVEN TERMINAL
SPACINGS WITHIN .015/0.38 DIA.
C. SUGGESTED MATING PIN LENGTH
.350±.020/8.89±0.51
5. MARK IN .060/1.52 HIGH LETTERS:(CONTRASTING
COLORS) - 9113 4445
FCI XXXX
DATE CODE
6. .003/0.08 THICK TERMINAL SPRING.
7. PACKAGING: STANDARD 24" LONG TUBES.
8. 550mm LONG SPECIAL SHORT TUBE PACKAGING:
ADD SUFFIX "A" TO PART DASH NUMBER. EXAMPLE: 66527-001A
9. ADD "LF" SUFFIX AT THE END OF PART NUMBER FOR
LEAD FREE OPTION.
10. THIS PRODUCT MEETS EUROPEAN UNION DIRECTIVES AND OTHER
COUNTRY REGULATION AS DESCRIBED IN GS-22-008.
11. THE HOUSING WILL WITHSTAND EXPOSURE TO 260°C PEAK TEMPERATURE
FOR 15 SECONDS IN A WAVE SOLDER APPLICATION WITH A 1.5mm
MINIMUM THICK CIRCUIT BOARD. SEE APPLICATION NOTES/PROCEDURES
IF THEY ARE AVAILABLE.
12. PLATING OPTIONS:
MAY BE EITHER GOLD OR GXT PLATED AT MANUFACTURER'S OPTION.

part code	surface	ISO 1302	ISO 406	ISO 1101	tolerance unless otherwise specified	XX ±.01/XX±0.3	linear	XXX ±.005/XXX±0.13	XXX ±.0020/XXX±0.061	scale	4:1	projection	product family	CARD CONN.
lit	ecn no	dr	date	tolerances unless otherwise specified	angles	linear	XXX ±.005/XXX±0.13	XXX ±.0020/XXX±0.061	scale	4:1	projection	product family	CARD CONN.	
dr	C.DAILY	11/18/02	dr	C.DAILY	11/18/02	dr	C.DAILY	11/18/02	dr	C.DAILY	11/18/02	dr	C.DAILY	11/18/02
engr	H.SUNDY	11/18/02	engr	H.SUNDY	11/18/02	engr	H.SUNDY	11/18/02	engr	H.SUNDY	11/18/02	engr	H.SUNDY	11/18/02
chr	H.SUNDY	11/18/02	chr	H.SUNDY	11/18/02	chr	H.SUNDY	11/18/02	chr	H.SUNDY	11/18/02	chr	H.SUNDY	11/18/02
appt	H.SUNDY	11/18/02	appt	H.SUNDY	11/18/02	appt	H.SUNDY	11/18/02	appt	H.SUNDY	11/18/02	appt	H.SUNDY	11/18/02
sheet	revision	sheet	revision	sheet	revision	sheet	revision	sheet	revision	sheet	revision	sheet	revision	sheet
index	revision	index	revision	index	revision	index	revision	index	revision	index	revision	index	revision	index

FCI
CARD GUIDE PIN
CONNECTION

dwg no 66527
sheet 2 of 6 size A3

type Product Customer Drawing



FCIconnect.com

Copyright FCI

form A3

PRODUCT NO. NOTE 9	NO. OF POS.	A DIM	B DIM	INSUL. PLUG	SPECIAL
66527-001					
UNAVAILABLE					
2X2	100/2.54				NO
002					
003	200/5.08				
004	300/7.62				
005	400/10.16				
006	500/12.70				
007	600/15.24				
008	700/17.78				
009	800/20.32				
010	900/22.86				
011	1,000/25.4				
012	1,100/27.94				
013	1,200/30.48				
014	1,300/33.02				
015	1,400/35.56				
016	1,500/38.10				
017	1,600/40.64				
018	1,700/43.18				
019	1,800/45.72				
020	1,900/48.26				
021	2,000/50.80				
022	2,100/53.34				
023	2,200/55.88				
024	2,300/58.42				
025	2,400/60.96				
026	2,500/63.50				
027	2,600/66.04				
028	2,700/68.58				
029	2,800/71.12				
030	2,900/73.66				
031	3,000/76.20				
032	3,100/78.74				
033	3,200/81.28				
034	3,300/83.82				
035	3,400/86.36				
036	3,500/88.90				
037	3,600/91.44				
038	3,700/93.98				
039	3,800/96.52				
2X40	3,900/99.06				
66527-040					

mat'l code	surface	ISO 1302	projection	ISO 406	ISO 1001
lit	ecn no	dr	date	tolerances unless otherwise specified	XX ±0.1/XX0.3
angles	linear	XXX ±0.05/XXX0.13	INCH/MM	scale	4:1
dr	C.DAILY	11/18/02	dwg no	66527	
engr	H.SUNDY	11/18/02	type	Product Customer Drawing	
chr	H.SUNDY	11/18/02	sheet	3 of 6 size	
appt	H.SUNDY	11/18/02	revision	Sheet	
revision			index	Sheet	

product family
CARD CONN.

title
GUIDE PIN
CARD CONNECTOR

PRODUCT NO. NOTE 9	NO. OF POS.	A DIM	B DIM	INSUL. PLUG	SPECIAL
66527-501					
UNAVAILABLE					
502	2X2	.100/2.54	.458/11.63	YES	OBS
503	2X3	.200/5.08	.558/14.17		OBS
504	2X4	.300/7.62	.658/16.71		OBS
505	2X5	.400/10.16	.758/19.25		
506	2X6	.500/12.70	.858/21.79		
507	2X7	.600/15.24	.958/24.33		
508	2X8	.700/17.78	1.058/26.87		
509	2X9	.800/20.32	1.158/29.41		
510	2X10	.900/22.86	1.258/31.95		
511	2X11	1.000/25.4	1.358/34.49		
512	2X12	1.100/27.94	1.458/37.03		
513	2X13	1.200/30.48	1.558/39.57		
514	2X14	1.300/33.02	1.658/42.11		
515	2X15	1.400/35.56	1.758/44.65		
516	2X16	1.500/38.10	1.858/47.19		
517	2X17	1.600/40.64	1.958/49.73		
518	2X18	1.700/43.18	2.058/52.27		
519	2X19	1.800/45.72	2.158/54.81		
520	2X20	1.900/48.26	2.258/57.35		
521	2X21	2.000/50.80	2.358/59.89		
522	2X22	2.100/53.34	2.458/62.43		
523	2X23	2.200/55.88	2.558/64.97		
524	2X24	2.300/58.42	2.658/67.51		
525	2X25	2.400/60.96	2.758/70.05		
526	2X26	2.500/63.50	2.858/72.59		
527	2X27	2.600/66.04	2.958/75.13		
528	2X28	2.700/68.58	3.058/77.67		
529	2X29	2.800/71.12	3.158/80.21		
530	2X30	2.900/73.66	3.258/82.75		
531	2X31	3.000/76.20	3.358/85.29		
532	2X32	3.100/78.74	3.458/87.83		
533	2X33	3.200/81.28	3.558/90.37		
534	2X34	3.300/83.82	3.658/92.91		
535	2X35	3.400/86.36	3.758/95.45		
536	2X36	3.500/88.90	3.858/97.99		
537	2X37	3.600/91.44	3.958/100.53		
538	2X38	3.700/93.98	4.058/103.07		
539	2X39	3.800/96.52	4.158/105.61		
66527-540	2X40	3.900/99.06	4.258/108.15	YES	

mat'l code	ISO 1302	surface	tolerance	ISO 406	ISO 1001	projection	product family	CARD CONN.
lit	ecn no	dr	date	tolerances unless otherwise specified	XX ±.01/XX.03	INCH/MM	title	CARD CONNECTOR
		angles	linear	XXX ±.005/XXX.03	4:1	scale	dwg no	66527
		0 ±.2		XXXX ±.0020/XXXX.051		sheet 5 of 6 size	type	Product Customer Drawing
		dr	C.DAILY	11/18/02				
		engr	H.SUNDY	11/18/02				
		chr	H.SUNDY	11/18/02				
		appt	H.SUNDY	11/18/02				
sheet	revision							
index								

PRODUCT NO.	NO. OF POS.	A DIM	B DIM	INSUL. PLUG	SPECIAL
66527-541	2X41	4.000/101.60	4.358/110.69	YES	
66527-800	2X50	4.900/124.46	5.258/133.55	NO	SEE NOTE 9
66527-801	2X30	2.900/73.66	3.258/82.75	NO	SEE NOTE 6
66527-802	2X40	3.900/99.066	4.258/108.15	NO	SEE NOTE 6
66527-803	2X25	2.400/60.96	2.758/70.05	YES	SEE NOTE 6
66527-565	2X65	6.400/162.56	6.758/171.65	YES	
66527-564	2X64	6.300/160.02	6.658/169.11		
66527-563	2X63	6.200/157.48	6.558/166.57		
66527-562	2X62	6.100/154.94	6.458/164.03		
66527-561	2X61	6.000/152.40	6.358/161.49		
66527-560	2X60	5.900/149.86	6.258/158.95		
66527-559	2X59	5.800/147.32	6.158/156.41		
66527-558	2X58	5.700/144.78	6.058/153.87		
66527-557	2X57	5.600/142.24	5.958/151.33		
66527-556	2X56	5.500/139.70	5.858/148.79		
66527-555	2X55	5.400/137.16	5.758/146.25		
66527-554	2X54	5.300/134.62	5.658/143.71		
66527-553	2X53	5.200/132.08	5.558/141.17		
66527-552	2X52	5.100/129.54	5.458/138.63		
66527-551	2X51	5.000/127.00	5.358/136.09		
66527-550	2X50	4.900/124.46	5.258/133.55		
66527-549	2X49	4.800/121.92	5.158/131.01		
66527-548	2X48	4.700/119.38	5.058/128.47		
66527-547	2X47	4.600/116.84	4.958/125.93		
66527-546	2X46	4.500/114.30	4.858/123.39		
66527-545	2X45	4.400/111.76	4.758/120.85		
66527-544	2X44	4.300/109.22	4.658/118.31		
66527-543	2X43	4.200/106.68	4.558/115.77		
66527-542	2X42	4.100/104.14	4.458/113.23		
66527-541	2X41	4.000/101.60	4.358/110.69	YES	

OBSOLETE

mat'l code	ISO 1302	surface	tolerances unless otherwise specified	ISO 406	ISO 1101	projection	product family	CARD CONN.
lfr	ecn no	dr	date	linear	angles	o ±.2	scale	4:1
dr	C.DAILY	11/18/02	11/18/02	xxx ±.0020/xxx4.051	INCH/MM	INCH/MM	title	CARD CONNECTOR
engr	H.SUNDY	11/18/02	11/18/02	xxx ±.01/xxx.03	INCH/MM	INCH/MM	title	CARD CONNECTOR
chr	H.SUNDY	11/18/02	11/18/02	xxx ±.005/xxx4.03	INCH/MM	INCH/MM	title	CARD CONNECTOR
apdr	H.SUNDY	11/18/02	11/18/02	xxx ±.005/xxx4.03	INCH/MM	INCH/MM	title	CARD CONNECTOR
sheet	revision	sheet	index	sheet	index	sheet	index	sheet

FCJ logo

66527

sheet 6 of 6 size A3

type Product Customer Drawing

X-ON Electronics

Largest Supplier of Electrical and Electronic Components

Click to view similar products for [Headers & Wire Housings](#) category:

Click to view products by [Amphenol](#) manufacturer:

Other Similar products are found below :

[95000-104TRLF](#) [10135584-644402LF](#) [DF62W-EP2022PCA](#) [95000-106TRLF](#) [DF62W-2022SCA](#) [DF62W-EP2022PC](#) [2203348](#) [DF62W-2022SC](#) [1084018](#) [1029039](#) [1084017](#) [802-10-012-10-002000](#) [1112640](#) [1112639](#) [891-007-9SS-BST1T](#) [000-34000](#) [0008550134](#) [0009482033](#) [0009507031](#) [57102-F02-18ULF](#) [57102-S06-03LF](#) [57202-S52-04LF](#) [PCN6-15S-2.5E](#) [0039019024](#) [58102-G61-06LF](#) [582553-1](#) [0009485154](#) [0009508121](#) [0022285053](#) [0050291907](#) [018731A](#) [LY20-4P-DT1-P1E-BR](#) [02.125.8002.8](#) [60101931](#) [60598-1 \(Cut Strip\)](#) [M1625-3R/100](#) [61062-3](#) [61082-181009](#) [CSU011177004](#) [636-1427](#) [638009-1](#) [641938-9](#) [641991-4](#) [644168-1](#) [644827-2](#) [647662-1](#) [65039-019ELF](#) [65692-001LF](#) [65781-018](#) [65781-047](#)