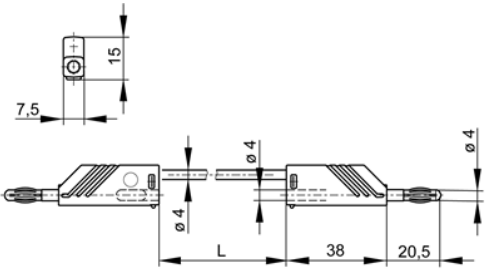
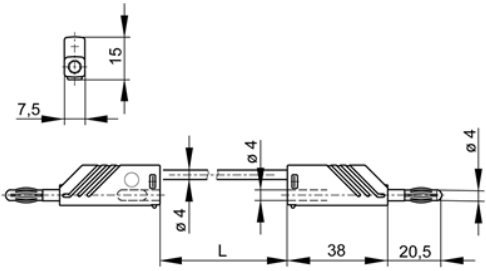


datasheet for MLN SIL 100/1
 article number: 934092100



product description:	order number: 934 092-100
description:	Measuring lead, at either end 4 mm diameter plug with caged spring and 4 mm diameter socket for tower construction. Nickel-plated copper beryllium contact spring. Highly flexible, double insulated stranded lead, grip and lead shatter-proof. Built in colour indicator for easy identification of insulation damages.
typ:	MLN SIL 100/1 schwarz/black
system:	4mm system
order number:	934 092-100
color	●
other color versions:	●●●●●
technical data	
measurement category acc. to IEC 61010:	CAT I
pin dimensions	4 mm
type of contact:	pin (spring loaded)
cable type:	LEH-XY
cable specification:	most flexible lead, high temperature resistant
wire stranding:	259 x 0.07 mm
rated voltage:	30 VAC / 60 VDC
rated current:	16 A
Please consider derating curve!	
contact resistance:	22 mOhm
cable length:	100 cm
conductor size:	1 mm ²
cable material:	silicone
cable color:	black
material	
contact material:	contact pin: brass contact spring: copper - beryllium
contact surface material:	nickel
housing material:	PA
environmental conditions:	
temperature range:	-15 °C to +70 °C

inflammable class:	
housing (basic material):	UL 94 V - 2
drawing	



X-ON Electronics

Largest Supplier of Electrical and Electronic Components

Click to view similar products for [Test Leads](#) category:

Click to view products by [Hirschmann](#) manufacturer:

Other Similar products are found below :

[R928010000](#) [R928142000](#) [1301430020](#) [15101](#) [15115](#) [15117](#) [15301](#) [15303](#) [15304](#) [15102](#) [15120](#) [15308](#) [15408](#) [15302](#) [15306](#) [15307](#) [15502](#)
[15403](#) [15407](#) [15409](#) [15501](#) [15506](#) [EM3782-12-7#](#) [EM4702-12-0](#) [BU-1149-A-36-0](#) [BU-1481-E-12-0](#) [BU-1481-E-24-0](#) [2524-A-60](#) [924961-C](#)
[924964-C](#) [924966-C](#) [924967-C](#) [LB1F-2R-RED](#) [LB1F-2R-YLW](#) [2500](#) [2501](#) [2524-A-48](#) [2977-J-48](#) [R928051000](#) [R928141000](#) [R928143000](#)
[R948131000](#) [BU-1449-E-12-2](#) [BU-1480-E-24-0](#) [BU-1481-E-12-2](#) [BU-1481-E-24-2](#) [LB1F-2R-BLK](#) [LB1F-2R-BLUE](#) [EM3542-1#](#) [EM3782-12-8#](#)