

# Small compact Thermostat STO 011 / STS 011 Series



Regulating

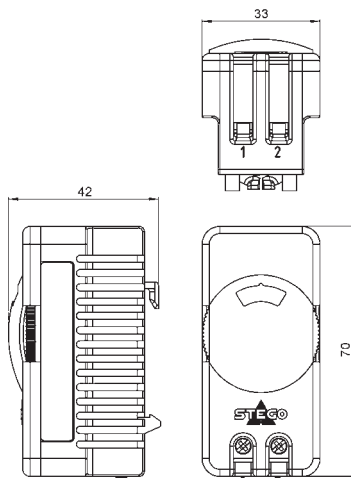


- **Thumbwheel setting dial**
- **Small hysteresis**
- **High switching capacity**
- **Anti frost assurance**
- **Optimized housing for better air flow**

The mechanical thermostat is a two state regulator with small hysteresis. The setting wheel has an anti frost assurance. The housing ensures an optimized air circulation around the bimetal.

**STO 011:** Thermostat (NC); contact breaker for regulating heaters.

**STS 011:** Thermostat (NO); contact maker for regulating of filter fans and heat exchangers or for switching signal devised when temperature limit has been exceeded.



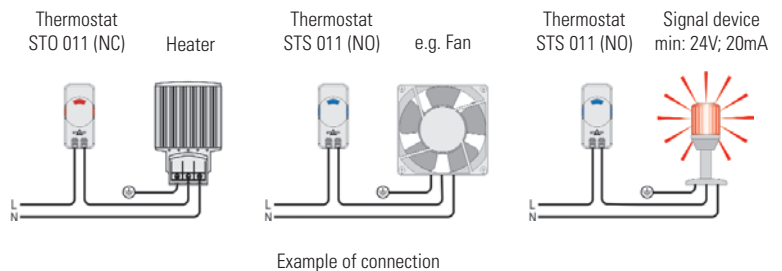
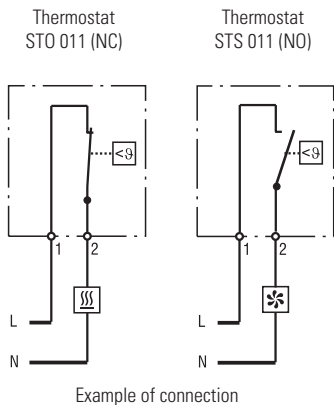
## Technical Data

<b>Switch temperature difference</b>	4K ( $\pm 3K$ tolerance)
<b>Sensor element</b>	thermostatic bimetal
<b>Contact type</b>	snap-action contact
<b>Service life</b>	> 100,000 cycles
<b>Max. switching capacity</b>	250VAC, 10 (2) A 120VAC, 15 (2) A 30WDC at 24VDC to 72VDC
<b>Max. inrush current</b>	16AAC for 10 sec.
<b>Connection</b>	2-pole terminal for 2.5mm <sup>2</sup> (AWG13), torque 1Nm max.
<b>Mounting</b>	clip for 35mm DIN rail, EN 60715
<b>Casing</b>	plastic according to UL94 V-0, light grey
<b>Dimensions</b>	70 x 33 x 42mm
<b>Weight</b>	approx. 50g
<b>Fitting position</b>	variable
<b>Operating / Storage temperature</b>	-45 to +80°C (-49 to +176°F)
<b>Operating / Storage humidity</b>	max. 90% RH (non-condensing)
<b>Protection type</b>	IP20

### Anti frost assurance



The anti frost assurance is a symbol on the setting scale of the NC thermostat (STO 011) at 11°C. This setting assures closing of the switching contact before 0°C.



Setting range	Art. No. Contact breaker (NC)	Art. No. Contact maker (NO)	Approvals
0 to +60°C	01115.0-00	01116.0-00	VDE + UL submitted
+32 to 140°F	01115.9-00	01116.9-00	VDE + UL submitted

Specifications are subject to change without notice. Errors and omissions excepted. Suitability of this product for its intended use and any associated risks must be determined by the end customer/ buyer 02.05.2011

## X-ON Electronics

Largest Supplier of Electrical and Electronic Components

*Click to view similar products for [Thermostats](#) category:*

*Click to view products by [Stego](#) manufacturer:*

Other Similar products are found below :

[66F060-0099](#) [66F060-0396](#) [66L085-0477](#) [67F080-0356](#) [67L060-0368](#) [67L080-0038](#) [77877-00](#) [ASP200-22](#) [22636-00](#) [2450 00210626](#) [2450 00880010](#) [2450RC 79080002](#) [2455R--01000844](#) [2455R 80580176](#) [2455R 80820955](#) [2455R 81610172](#) [2455R--90820376](#) [2455RC-00980620](#) [2455RCG81170352](#) [2455RM03090005](#) [2455RM 80820736](#) [2455RM-90980499](#) [2455RP-91000430](#) [2455RP-91000433](#) [2455RP-91000436](#) [2455RP-91000442](#) [300004530001](#) [300100140436](#) [300100630004](#) [3001 00830006](#) [2450G 83950014](#) [2450RC-90820307](#) [2455R--00030829](#) [2455R--01000140](#) [2455R 80820813](#) [2455R 80820815](#) [2455R 81000478](#) [2455R 86890009](#) [2455R--99130436](#) [2455RBV00290011](#) [2455RC-01000545](#) [2455RM 80820767](#) [PN14-6R](#) [300000460015](#) [300005510124](#) [300100240048](#) [310000011390](#) [310000030602](#) [310000031798](#) [310000560067](#)