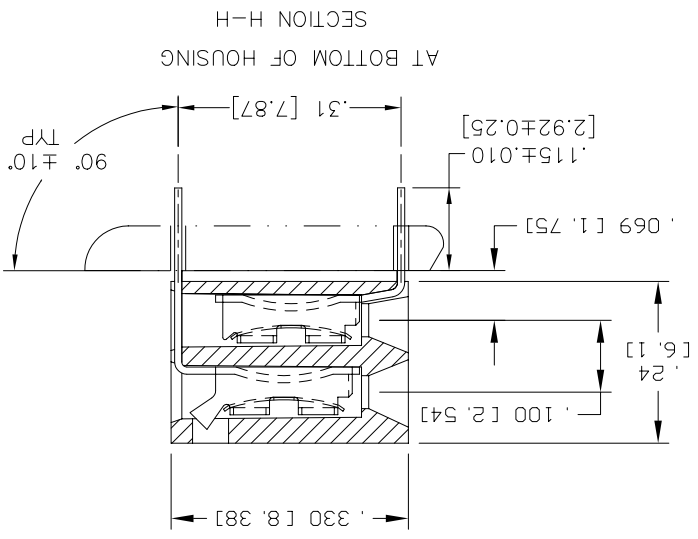
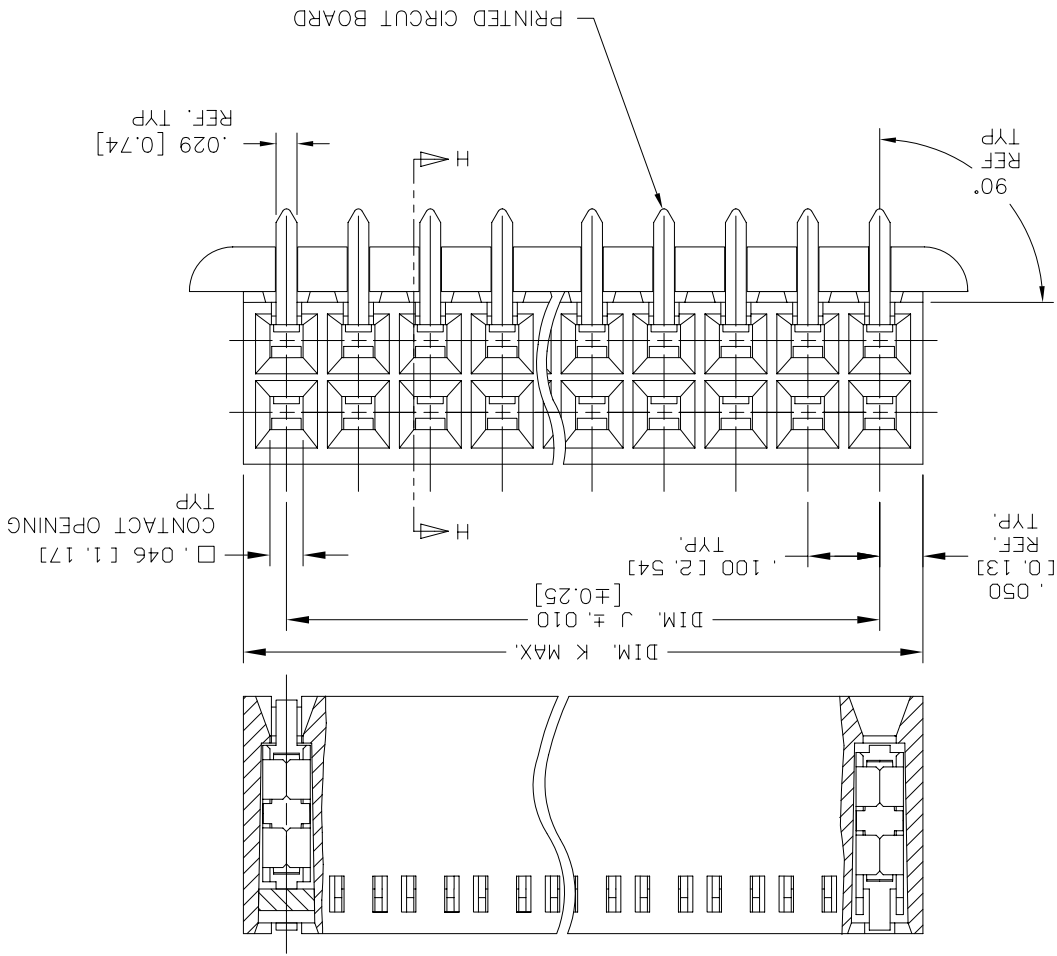


PRODUCT NO.
SEE TABLE



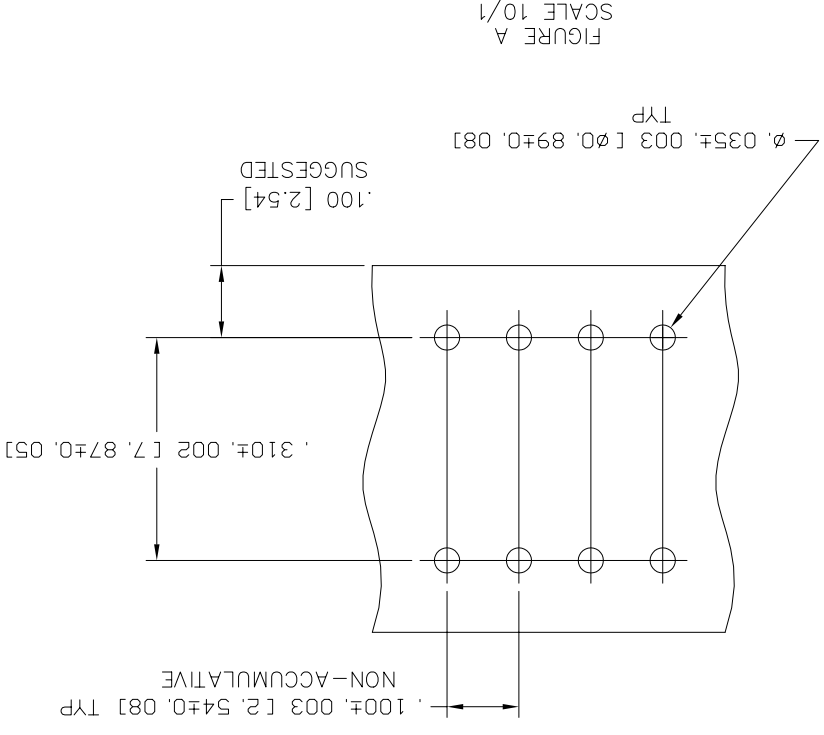
mat'l. code		ISO 1302		surface		ISO 406		tolerance		ISO 1101	
tracen no		date		tolerances unless otherwise specified		inches		mm		projection	
ecn no		dr		inches		mm		inches		mm	
JCS 5/9/00		5/9/00		.xxx±.013		.xxx±.005/13		.xxx±.002/05		scale 4:1	
AZ 10/11/00		MHT 8/16/05		0°F.2		J. SHREINER 5/9/90		M. HAHN 5/9/90		engr	
M05-0181		MHT 8/16/05		0°F.2		M. HAHN 5/9/90		M. HAHN 5/9/90		chr	
M06-0117		AEA 06/26/06		dr		M. HAHN 5/9/90		M. HAHN 5/9/90		appd	
revision		sheet		index		revision		sheet		index	
G		1		1		G		1		G	
G		2		2		G		2		G	
G		3		3		G		3		G	
G		4		4		G		4		G	
G		5		5		G		5		G	
G		6		6		G		6		G	

product family
CARD CONN

title
2 x 100 CARD
CONNECTOR

dwg no
67227

sheet 1 of 4 size
A3

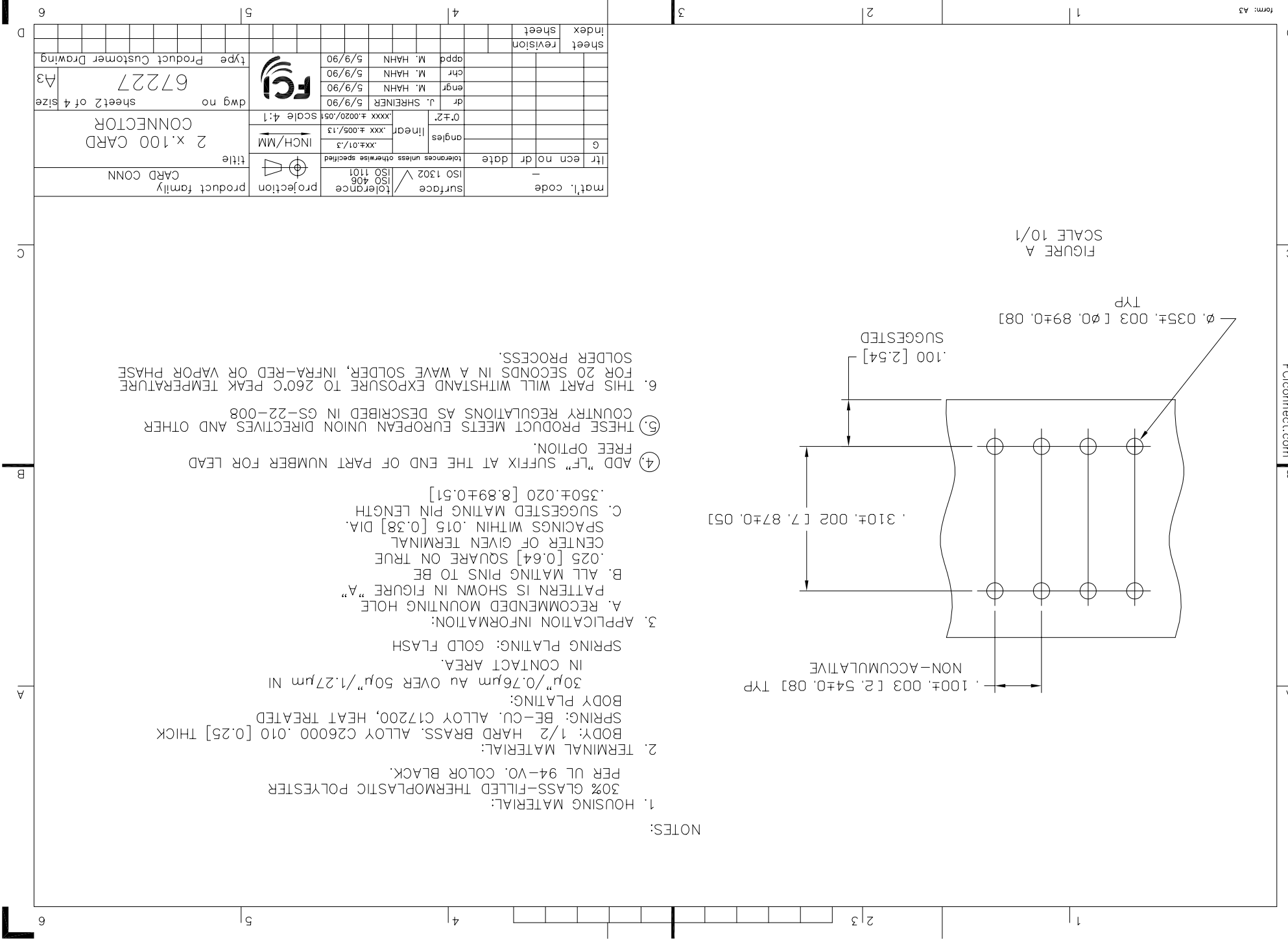


NOTES:

1. HOUSING MATERIAL:
30% GLASS-FILLED THERMOPLASTIC POLYESTER
PER UL 94-V0. COLOR BLACK.
2. TERMINAL MATERIAL:
BODY: 1/2 HARD BRASS. ALLOY C26000 .010 [0.25] THICK
SPRING: BE-CU. ALLOY C17200, HEAT TREATED
BODY PLATING:
30µ"/0.76µm Au OVER 50µ"/1.27µm Ni
IN CONTACT AREA.
SPRING PLATING: GOLD FLASH
3. APPLICATION INFORMATION:
A. RECOMMENDED MOUNTING HOLE
PATTERN IS SHOWN IN FIGURE "A"
B. ALL MATING PINS TO BE
.025 [0.64] SQUARE ON TRUE
CENTER OF GIVEN TERMINAL
SPACINGS WITHIN .015 [0.38] DIA.
C. SUGGESTED MATING PIN LENGTH
.350 ± .020 [8.89 ± 0.51]
- ④ ADD "LF" SUFFIX AT THE END OF PART NUMBER FOR LEAD
FREE OPTION.
- ⑤ THESE PRODUCT MEETS EUROPEAN UNION DIRECTIVES AND OTHER
COUNTRY REGULATIONS AS DESCRIBED IN GS-22-008
6. THIS PART WILL WITHSTAND EXPOSURE TO 260°C PEAK TEMPERATURE
FOR 20 SECONDS IN A WAVE SOLDER, INFRA-RED OR VAPOR PHASE
SOLDER PROCESS.

FIGURE A
SCALE 10/1

matl. code		ISO 1302		surface		tolerance		projection		product family	
itr		ecn no		dr		date		tolerances unless otherwise specified		title	
G		angles		indeg		.xxx ±.005/.13		INCH/MM		2 x 100 CARD CONNECTOR	
		0° ± .2°				.xxx ±.002/.05		scale 4:1		dwg no	
				dr		J. SHREINER		5/9/90		sheet 2 of 4 size	
		engr		M. HAHN		5/9/90				67227	
		chr		M. HAHN		5/9/90				A3	
		ppd		M. HAHN		5/9/90				Product Customer Drawing	
sheet		revision									
index											



D
C
B
A

Copyright FCI

FCI
FCIconnect.com

PRODUCT NO.	NO. OF POS.	DIM. J	DIM. K	INSUL. PLUG	LEAD FREE OPTION
67227-001	2X1	.000/0.00	.100/2.54	NO	NOTE 5,6
-002	2X2	.100/2.54	.200/5.08	NO	NOTE 5,6
-003	2X3	.200/5.08	.300/7.62	NO	NOTE 5,6
-004	2X4	.300/7.62	.400/10.16	NO	NOTE 5,6
-005	2X5	.400/10.16	.500/12.70	NO	NOTE 5,6
-006	2X6	.500/12.70	.600/15.24	NO	NOTE 5,6
-007	2X7	.600/15.24	.700/17.78	NO	NOTE 5,6
-008	2X8	.700/17.78	.800/20.32	NO	NOTE 5,6
-009	2X9	.800/20.32	.900/22.86	NO	NOTE 5,6
-010	2X10	.900/22.86	1.000/25.40	NO	NOTE 5,6
-011	2X11	1.000/25.40	1.100/27.94	NO	NOTE 5,6
-012	2X12	1.100/27.94	1.200/30.48	NO	NOTE 5,6
-013	2X13	1.200/30.48	1.300/33.02	NO	NOTE 5,6
-014	2X14	1.300/33.02	1.400/35.56	NO	NOTE 5,6
-015	2X15	1.400/35.56	1.500/38.10	NO	NOTE 5,6
-016	2X16	1.500/38.10	1.600/40.64	NO	NOTE 5,6
-017	2X17	1.600/40.64	1.700/43.18	NO	NOTE 5,6
-018	2X18	1.700/43.18	1.800/45.72	NO	NOTE 5,6
-019	2X19	1.800/45.72	1.900/48.26	NO	NOTE 5,6
-020	2X20	1.900/48.26	2.000/50.80	NO	NOTE 5,6
-021	2X21	2.000/50.80	2.100/53.34	NO	NOTE 5,6
-022	2X22	2.100/53.34	2.200/55.88	NO	NOTE 5,6
-023	2X23	2.200/55.88	2.300/58.42	NO	NOTE 5,6
-024	2X24	2.300/58.42	2.400/60.96	NO	NOTE 5,6
-025	2X25	2.400/60.96	2.500/63.50	NO	NOTE 5,6
-026	2X26	2.500/63.50	2.600/66.04	NO	NOTE 5,6
-027	2X27	2.600/66.04	2.700/68.58	NO	NOTE 5,6
-028	2X28	2.700/68.58	2.800/71.12	NO	NOTE 5,6
-029	2X29	2.800/71.12	2.900/73.66	NO	NOTE 5,6
-030	2X30	2.900/73.66	3.000/76.20	NO	NOTE 5,6
-031	2X31	3.000/76.20	3.100/78.74	NO	NOTE 5,6
-032	2X32	3.100/78.74	3.200/81.28	NO	NOTE 5,6
-033	2X33	3.200/81.28	3.300/83.82	NO	NOTE 5,6
-034	2X34	3.300/83.82	3.400/86.36	NO	NOTE 5,6
-035	2X35	3.400/86.36	3.500/88.90	NO	NOTE 5,6
-036	2X36	3.500/88.90	3.600/91.44	NO	NOTE 5,6
-037	2X37	3.600/91.44	3.700/93.98	NO	NOTE 5,6
-038	2X38	3.700/93.98	3.800/96.52	NO	NOTE 5,6
-039	2X39	3.800/96.52	3.900/99.06	NO	NOTE 5,6
-040	2X40	3.900/99.06	4.000/101.60	NO	NOTE 5,6
67227-041	2X41	4.000/101.60	4.000/104.14	NO	NOTE 5,6

mat'l. code		ISO 1502		surface		tolerance		ISO 406		ISO 1101	
itr		ecn no		dr		date		tolerances unless otherwise specified		.XX#.01.3	
G		angles		indeg		.xxx ±.005/.13		indeg		.xxx ±.002/.051	
scale		4:1		FCI		dwg no		67227		sheets of 4 size	
type		Product Customer Drawing		revision		sheet		index		sheet	

product family		CARD CONN		projection		INCH/MM		2 x 100 CARD		CONNECTOR	
product family		CARD CONN		projection		INCH/MM		2 x 100 CARD		CONNECTOR	
product family		CARD CONN		projection		INCH/MM		2 x 100 CARD		CONNECTOR	

6
5
4
3
2
1
6
5
4
3
2
1
6
5
4
3
2
1

PRODUCT NO.	NO. OF POS.	DIM. J	DIM. K	INSUL. PLUG	LEAD FREE OPTION
67227-042	2X42	4.100/104.14	4.200/106.68	NO	NOTE 5,6
-043	2X43	4.200/106.68	4.300/109.22		
-044	2X44	4.300/109.22	4.400/111.76		
-045	2X45	4.400/111.76	4.500/114.30		
-046	2X46	4.500/114.30	4.600/116.84		
-047	2X47	4.600/116.84	4.700/119.38		
-048	2X48	4.700/119.38	4.800/121.92		
-049	2X49	4.800/121.92	4.900/124.46		
-050	2X50	4.900/124.46	5.000/127.00		
-051	2X51	5.000/127.00	5.100/129.54		
-052	2X52	5.100/129.54	5.200/132.08		
-053	2X53	5.200/132.08	5.300/134.62		
-054	2X54	5.300/134.62	5.400/137.16		
-055	2X55	5.400/137.16	5.500/139.70		
-056	2X56	5.500/139.70	5.600/142.24		
-057	2X57	5.600/142.24	5.700/144.78		
-058	2X58	5.700/144.78	5.800/147.32		
-059	2X59	5.800/147.32	5.900/149.86		
-060	2X60	5.900/149.86	6.000/152.40		
-061	2X61	6.000/152.40	6.100/154.94		
-062	2X62	6.100/154.94	6.200/157.48		
-063	2X63	6.200/157.48	6.300/160.02		
-064	2X64	6.300/160.02	6.400/162.56		
67227-065	2X65	6.400/162.56	6.500/165.10	NO	NOTE 5,6

mat'l. code		ISO 1302		tolerance		ISO 406		ISO 1101	
itr		ecn no		dr		date		tolerances unless otherwise specified	
g		angles		linogr		.xxx ±.005/.13		.xxx±.01.3	
scale 4:1		INCH/MM		projection		product family		CARD CONN	
title		2 x 100 CARD CONNECTOR		sheet 4 of 4 size		A3		67227	
type		Product Customer Drawing		sheet revision		index		sheet	
5/9/90		5/9/90		5/9/90		5/9/90		5/9/90	
dr J. SHREINER		engr M. HAHN		chr M. HAHN		pppd M. HAHN			

6 5 4 3 2 1 1 2 3 4 5 6

X-ON Electronics

Largest Supplier of Electrical and Electronic Components

Click to view similar products for [Headers & Wire Housings](#) category:

Click to view products by [FCT Electronics](#) manufacturer:

Other Similar products are found below :

[95000-104TRLF](#) [10135584-644402LF](#) [DF62W-EP2022PCA](#) [95000-106TRLF](#) [DF62W-2022SCA](#) [DF62W-EP2022PC](#) [2203348](#) [DF62W-2022SC](#) [1084018](#) [1029039](#) [1084017](#) [802-10-012-10-002000](#) [1112640](#) [1112639](#) [891-007-9SS-BST1T](#) [000-34000](#) [0008550134](#) [0009482033](#) [0009507031](#) [57102-F02-18ULF](#) [57102-S06-03LF](#) [57202-S52-04LF](#) [PCN6-15S-2.5E](#) [0039019024](#) [58102-G61-06LF](#) [582553-1](#) [0009485154](#) [0009508121](#) [0022285053](#) [0050291907](#) [018731A](#) [LY20-4P-DT1-P1E-BR](#) [02.125.8002.8](#) [60101931](#) [60598-1 \(Cut Strip\)](#) [M1625-3R/100](#) [61062-3](#) [61082-181009](#) [CSU011177004](#) [636-1427](#) [638009-1](#) [641938-9](#) [641991-4](#) [644168-1](#) [644827-2](#) [647662-1](#) [65039-019ELF](#) [65692-001LF](#) [65781-018](#) [65781-047](#)