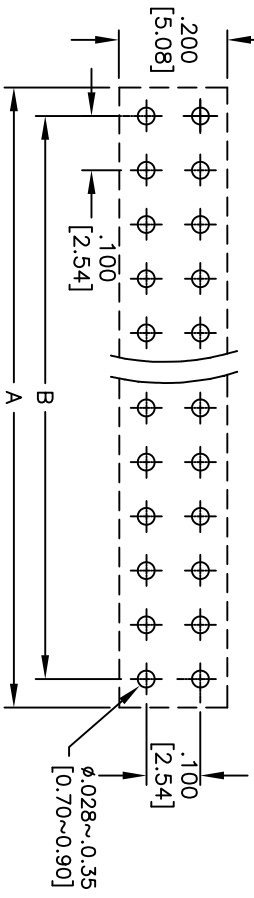
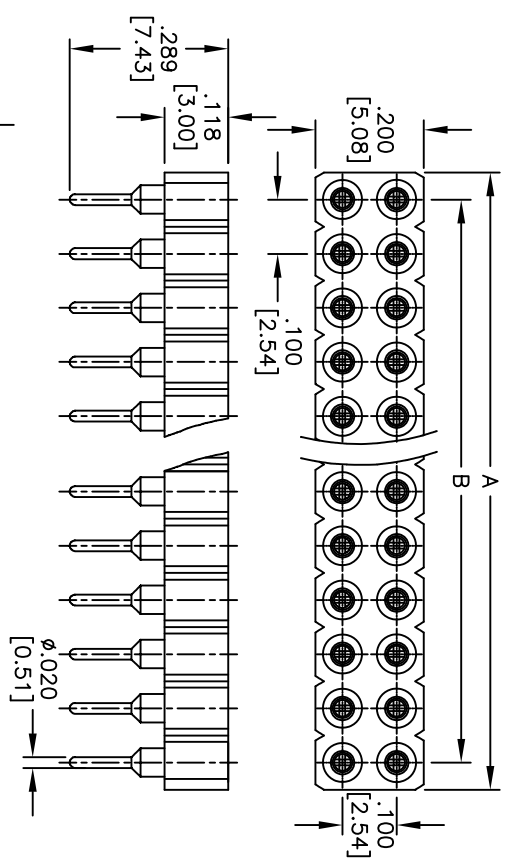


APPROVED: _____
 DATE: _____ TITLE: _____

Rev	AWO #	Description	Date	Appr
-		RELEASED	10/23/07	
A		REDRAWN	10/3/11	



Positions: 2 thru 80
 A = .100 [2.54] x No. of Positions per Row
 B = .100 [2.54] x No. of Spaces per Row

SPECIFICATIONS:
 Material: Insulator: PBT, Glass reinforced, rated UL 94V-0
 Insulator color: Black
 Contacts: Copper alloy
 Sleeve: Brass
 Plating:
 Inner contact: Gold flash over Nickel underplate
 Outer sleeve: Tin over Copper underplate overall
 Electrical:
 Rated voltage : 100V RMS/ 150VDC
 Current rating: 3 Amp
 Contact resistance: 4 mohms max
 Insulation resistance: 10,000 Mohms min @ 500 VAC
 Mechanical :
 Average insertion force : < 250g
 With steel pin of $\phi .017$ [0.43]mm
 Average withdrawal force : > 50g
 With steel pin of $\phi .017$ [0.43]mm
 Mechanical life : min. 200
 Temperature Rating:
 Operating temperature : Gold plated : -55 °C to + 125 °C
 (Continuous) Tin plated : -40 °C to + 105 °C
 Environmental:
 Lead free, RoHS compliant



ADAM TECH
 909 Rahway Avenue, Union, NJ 07083
 Phone: 908-687-5000 Fax: 908-687-5710

TITLE: SCREW MACHINE CONTACT SOCKET
 .100" X .100" SPACING, GOLD / TIN PLATED

UNLESS OTHERWISE SPECIFIED ALL DIMENSIONS ARE IN INCHES [MM]	
TOLERANCES: EXCEPT AS NOTED	
INCHES	HOLES
.X ± .10	ϕ X ± .10
.XX ± .020	ϕ XX ± .015
.XXX ± .015	ϕ XXX ± .010
APPROVALS	DATE
DRAWN	SS
CHECKED	
APPROVED	

SIZE	PART NO.	REV.
X	SMC-2-XX-1-GT	A
REF:	SM0007T	
SCALE:	NTS	
SHEET	1 OF 1	

X-ON Electronics

Largest Supplier of Electrical and Electronic Components

Click to view similar products for [Headers & Wire Housings](#) category:

Click to view products by [Adam](#) manufacturer:

Other Similar products are found below :

[95000-104TRLF](#) [10135584-644402LF](#) [DF62W-EP2022PCA](#) [95000-106TRLF](#) [DF62W-2022SCA](#) [DF62W-EP2022PC](#) [2203348](#) [DF62W-2022SC](#) [1084018](#) [1029039](#) [1084017](#) [802-10-012-10-002000](#) [1112640](#) [1112639](#) [891-007-9SS-BST1T](#) [000-34000](#) [0008550134](#) [0009482033](#) [0009507031](#) [57102-F02-18ULF](#) [57102-S06-03LF](#) [57202-S52-04LF](#) [PCN6-15S-2.5E](#) [0039019024](#) [58102-G61-06LF](#) [582553-1](#) [0009485154](#) [0009508121](#) [0022285053](#) [0050291907](#) [018731A](#) [LY20-4P-DT1-P1E-BR](#) [02.125.8002.8](#) [60101931](#) [60598-1 \(Cut Strip\)](#) [M1625-3R/100](#) [61062-3](#) [61082-181009](#) [CSU011177004](#) [636-1427](#) [638009-1](#) [641938-9](#) [641991-4](#) [644168-1](#) [644827-2](#) [647662-1](#) [65039-019ELF](#) [65692-001LF](#) [65781-018](#) [65781-047](#)