

FEATURES

- DOUBLE LAYER CONSTRUCTION
- LOW ESR
- SUITABLE FOR FLOW SOLDERING
- LEAD-FREE FINISH

**RoHS
Compliant**
includes all homogeneous materials

*See Part Number System for Details



CHARACTERISTICS

Rated Voltage Range	5.5VDC	
Rated Capacitance Range	0.047F ~ 1.0F (47,000 μ F ~ 1,000,000 μ F)	
Operating Temp. Range	-25°C ~ +70°C	
Capacitance Tolerance	+80%/-20% (Z)	
Load Life Test @ 70°C 1,000 hours	Δ Capacitance Change	Less than \pm 30% of initial measured value
	Maximum ESR	Less than 400% of the specified maximum value
Temperature Characteristics -25°C & +70°C	Δ Capacitance Change	Within +30% of 20°C value
	Maximum ESR	Less than 5x 20°C value
Shelf Life @ +70°C (1,000 hours)	Δ Capacitance Change	Less than \pm 30% of initial measured value
	Maximum ESR	Less than 400% of the specified maximum value

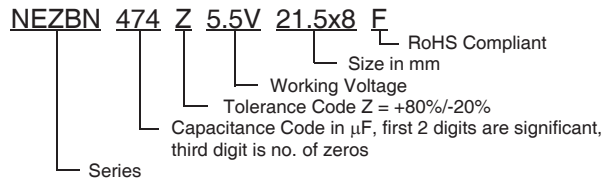
**Super Capacitor
Application Guide**

STANDARD VALUES AND SPECIFICATIONS

NIC P/N	Case Size (mm)	Capacitance (F)	Holding Voltage (VDC min.)*	Max. Leakage Current @ minutes (μ A)	Max. ESR @ 1KHz (Ω)
NEZBN473Z5.5V13.5X7.5F	13.5X7.5	0.047	4.0	69 @ 30 minutes	25
NEZBN104Z5.5V13.5X7.5F	13.5X7.5	0.1	4.0	100 @ 30 minutes	25
NEZBN224Z5.5V13.5X7.5F	13.5X7.5	0.22	4.0	135 @ 30 minutes	25
NEZBN334Z5.5V13.5X7.5F	13.5X7.5	0.33	4.0	182 @ 30 minutes	25
NEZBN474Z5.5V21.5X8F	21.5X8	0.47	4.0	216 @ 30 minutes	20
NEZBN105Z5.5V21.5X8F	21.5X8	1.0	4.0	315 @ 30 minutes	20

*Minimum voltage at 24 hours after changing for 1 hour at 5VDC.

PART NUMBER SYSTEM



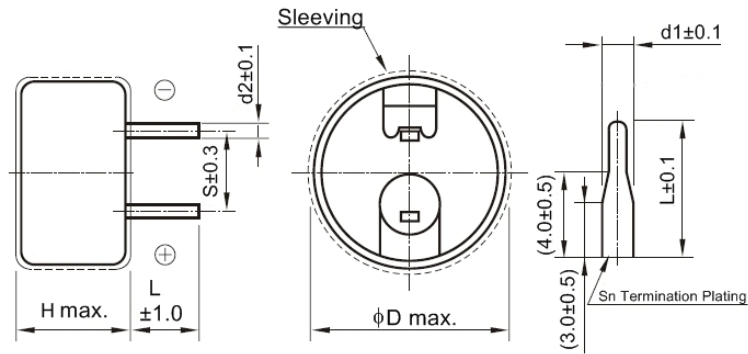
PRECAUTIONS

WASHING is NOT RECOMMENDED. Additional guidelines and precautions can be found at www.niccomp.com/precautions
If in doubt or uncertainty, please review your specific application - process details with NIC's technical support personnel: tpmg@niccomp.com



CASE DIMENSIONS (mm)

NIC P/N	DIMENSIONS (mm)					
	D max.	H max.	S ± 0.3	L ± 1.0	d ₁ ± 0.1	d ₂ ± 0.1
NEZBN473Z5.5V13.5X7.5F	13.5	7.5	5.0	6.0	1.2	0.5
NEZBN104Z5.5V13.5X7.5F	13.5	7.5	5.0	6.0	1.2	0.5
NEZBN224Z5.5V13.5X7.5F	13.5	7.5	5.0	6.0	1.2	0.5
NEZBN334Z5.5V13.5X7.5F	13.5	7.5	5.0	6.0	1.2	0.5
NEZBN474Z5.5V21.5X8F	21.5	8.0	5.0	6.0	1.2	0.5
NEZBN105Z5.5V21.5X8F	21.5	8.0	5.0	6.0	1.2	0.5



X-ON Electronics

Largest Supplier of Electrical and Electronic Components

Click to view similar products for [Supercapacitors](#) / [Ultracapacitors](#) category:

Click to view products by [NIC manufacturer](#):

Other Similar products are found below :

[DCK-3R3E224U-E](#) [BZ12GA154ZHB](#) [BZ195B273ZNBDM](#) [C-TEC2403-1](#) [CEM2](#) [KW-5R5C105H-R](#) [KW-5R5C224H-R](#) [KR-5R5C105H-R](#)
[DBJ-5R5D105T](#) [DXJ-5R5H334U](#) [DSK-3R3H703T414-HRL](#) [DHL-5R5D224GT](#) [LX055105A](#) [LT055105A](#) [SCCY73B407SLBLE](#)
[VPF127M3R8](#) [VPF706M3R8](#) [VMF706M3R8](#) [VMF506M3R8](#) [VPF506M3R8](#) [VMF306M3R8](#) [VPF227M3R8](#) [VMF227M3R8](#) [VMF127M3R8](#)
[DB5U207M30045HA](#) [DH5U128W60074TH](#) [DRL106S0TI25RRDAP](#) [DRL226S0TK25RR](#) [106DCN2R7M](#) [SCCR20B335SRB](#)
[SCCS30B106SRB](#) [SCCT30B156SRB](#) [SCCU30B306MRB](#) [SCCW45B107VSB](#) [SCMR14C474MSBA0](#) [SCMR22C155MRBA0](#)
[SCMR22C155MSBA0](#) [SCMS22C255MRBA0](#) [SCMT22C505MRBA0](#) [SCMT32C755MRBA0](#) [DRL475S0TG20RRDAP](#) [FT0H225ZF](#)
[FCS0H224ZFTBR24](#) [FR0H473ZF](#) [GS206F](#) [DS5U506M18040BB](#) [SCCV40B506MRB](#) [NEXT474Z5.5V16.5X13F](#) [DBJ-5R5D224T](#) [GW209F](#)