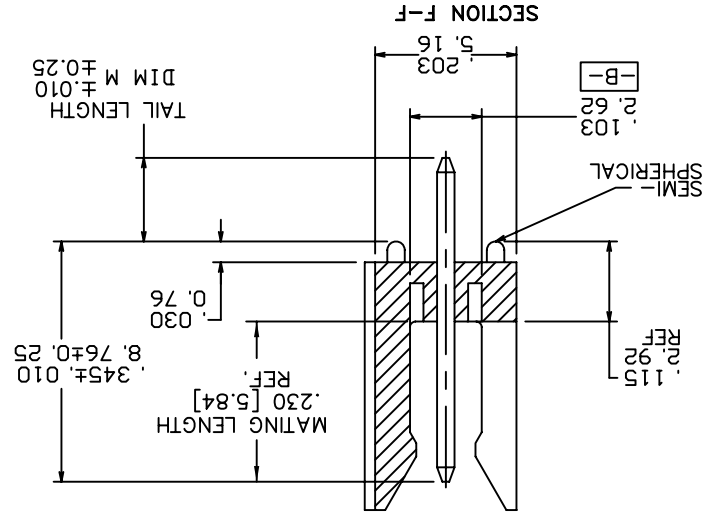
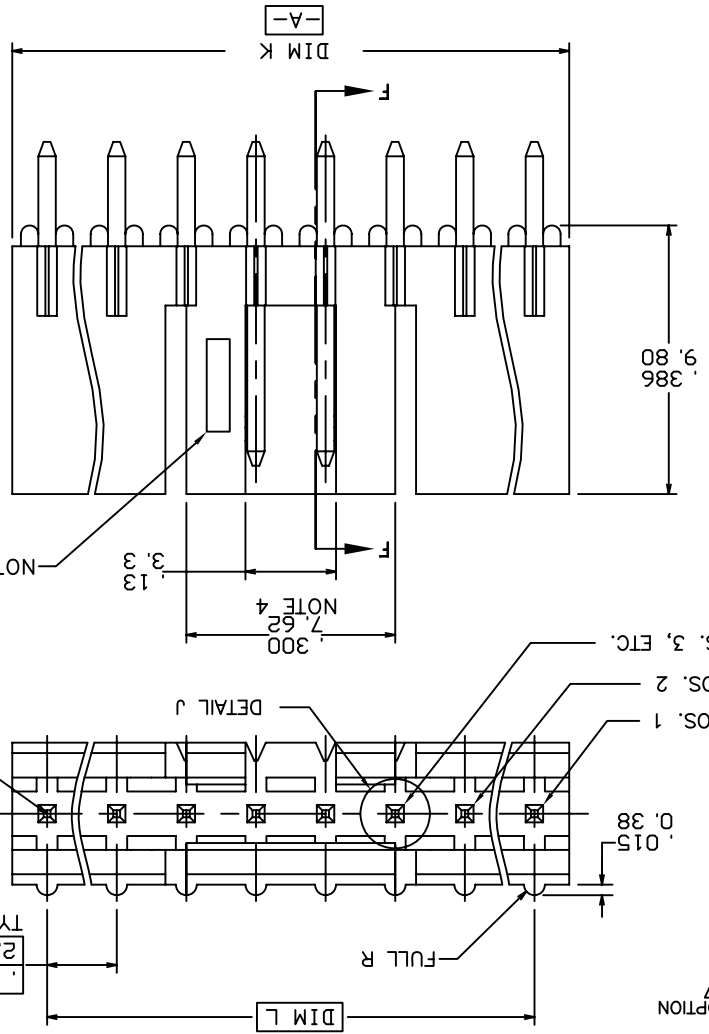
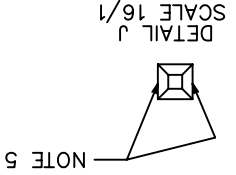


PRODUCT NUMBER  
69167-XXXXXHLF

- LEAD FREE OPTION NOTE 1, 2, 7
- POLARIZATION NOTE 10
- NO. OF POS. SEE TABLE
- PIN PLATING
- BASE P/N



AT TIP  
 $\phi .020/0.51 \text{ (M) A (S) B (S)}$   
 $.025/.64 \square \text{ PIN}$   
 BOTH ENDS



mat'l. code	ISO 1302	surface	tolerance unless otherwise specified	ISO 1101	ISO 406	ISO 1101	projection	product family	HEADER
litr ecn no	dr	date	tolerances unless otherwise specified	XXF.01/XXF.03	INCH/MM	FRICION LATCH HEADER	title	product family	HEADER
T	ELX-N-011896	JZ	05/31/12	linear	XXF.05/XXF.13	FRICION LATCH HEADER	single row vertical	product family	FRICION LATCH HEADER
U	ELX-N-20592	JH	03/30/15	angles	XXF.05/XXF.13	FRICION LATCH HEADER	single row vertical	product family	FRICION LATCH HEADER
N	M05-0134	MHT	6/17/05	of z'	XXXXF.0020/XXXXF.05	FRICION LATCH HEADER	single row vertical	product family	FRICION LATCH HEADER
P	M05-0176	ERE	08/05/05	engr	C.TREXTLER	FRICION LATCH HEADER	single row vertical	product family	FRICION LATCH HEADER
R	M06-0256	MHT	9/07/06	chr	C.TREXTLER	FRICION LATCH HEADER	single row vertical	product family	FRICION LATCH HEADER
S	M08-0291	MHT	10/06/08	apppd	C.TREXTLER	FRICION LATCH HEADER	single row vertical	product family	FRICION LATCH HEADER
sheet revision	U	U	U	U	U	FRICION LATCH HEADER	single row vertical	product family	FRICION LATCH HEADER
index sheet	1	2	3	4	4	FRICION LATCH HEADER	single row vertical	product family	FRICION LATCH HEADER

PRODUCT NUMBER	NO OF POS	DIM K	DIM L	TAIL LENGTH DIM M
69167-X03	1 X 3	.300/7.62	.200/5.08	.120/3.05
69167-X04	1 X 4	.400/10.16	.300/7.62	.120/3.05
69167-X05	1 X 5	.500/12.70	.400/10.16	.120/3.05
69167-X06	1 X 6	.600/15.24	.500/12.70	.120/3.05
69167-X07	1 X 7	.700/17.78	.600/15.24	.120/3.05
69167-X08	1 X 8	.800/20.32	.700/17.78	.120/3.05
69167-X09	1 X 9	.900/22.86	.800/20.32	.120/3.05
69167-X10	1 X 10	1.000/25.40	.900/22.86	.120/3.05
69167-X11	1 X 11	1.100/27.94	1.000/25.40	.120/3.05
69167-X12	1 X 12	1.200/30.48	1.100/27.94	.120/3.05
69167-X13	1 X 13	1.300/33.02	1.200/30.48	.120/3.05
69167-X14	1 X 14	1.400/35.56	1.300/33.02	.120/3.05
69167-X15	1 X 15	1.500/38.10	1.400/35.56	.120/3.05
69167-X16	1 X 16	U N A	V A I L A B L E	
69167-X17	1 X 17	U N A	V A I L A B L E	
69167-X18	1 X 18	U N A	V A I L A B L E	
69167-X19	1 X 19	U N A	V A I L A B L E	
69167-X20	1 X 20	U N A	V A I L A B L E	
69167-X21	1 X 21	U N A	V A I L A B L E	
69167-X22	1 X 22	U N A	V A I L A B L E	
69167-X23	1 X 23	U N A	V A I L A B L E	
69167-X24	1 X 24	U N A	V A I L A B L E	
69167-X25	1 X 25	U N A	V A I L A B L E	
69167-X26	1 X 26	U N A	V A I L A B L E	
69167-X27	1 X 27	U N A	V A I L A B L E	
69167-X28	1 X 28	U N A	V A I L A B L E	
69167-X29	1 X 29	U N A	V A I L A B L E	
69167-X30	1 X 30	U N A	V A I L A B L E	
69167-X31	1 X 31	U N A	V A I L A B L E	
69167-X32	1 X 32	U N A	V A I L A B L E	
69167-X33	1 X 33	U N A	V A I L A B L E	
69167-X34	1 X 34	U N A	V A I L A B L E	
69167-X35	1 X 35	U N A	V A I L A B L E	
69167-X36	1 X 36	U N A	V A I L A B L E	

Fliconnect.com

Copyright FCI

form: A3

NOTES:

1. PART NUMBER OPTIONS:  
PIN PLATING CODES (SEE ABOVE)  
LEAD FREE:  
ADD "HLF" AT THE END OF PART NUMBER FOR LEAD FREE OPTION, NOT AVAILABLE FOR -5YY, -5YH, -6YY, -6YH.

2. BODY MATERIAL:  
GLASS REINFORCED PCT COLOR: BLACK  
MAXIMUM OPERATING TEMPERATURE: 130° C  
OR  
MINERAL FILLED LCP, COLOR BLACK  
FLAME RETARDANT PER UL 94 V-0

3. PIN MATERIAL: 3/4 HARD PHOS-BRONZE.  
NO SLOTS ON 1 X 5 POSITION OR SMALLER PRODUCT. THE CENTER KEY SLOT WILL BE ON ALL HEADERS REGARDLESS OF SIZE.  
TWO NON-CRITICAL SIDES OF PIN TIP NOT PLATED, BOTH ENDS COMPANY LOGO MAY APPEAR IN THIS AREA.  
THESE PRODUCTS MEET EUROPEAN UNION DIRECTIVES AND OTHER COUNTRY REGULATION AS DESCRIBED IN GS-22-008.  
PLATING OPTIONS:  
PERFORMANCE PLATING WILL BE EITHER GOLD OR GXT ON CONTACT OR TAIL, OPTIONALLY (78~295u"/2~7.5u) TIN ON TAIL.  
THIS PRODUCT HAS 100% TIN PLATING IN THE INTERFACE AND HAS NOT BEEN TESTED FOR WHISKER GROWTH IN ALL INTERCONNECT ENVIRONMENTS."  
FOR POLARIZATION, SPECIFY POSITION NUMBER (i.e. A03=ROW A POSITION 03) TO OMIT PIN.  
OMIT FROM PRODUCT NUMBER IF THIS FEATURE IS NOT APPLICABLE.  
PRODUCT MANAGEMENT APPROVAL REQUIRED PRIOR TO RELEASE OR SALE OF POLARIZED PRODUCT.

PIN PLATING CODES	30u"/0.76u MIN (SEE NOTE 8) OVER 50u"/1.27u MIN NI!	15u"/0.38u MIN (SEE NOTE 8) OVER 50u"/1.27u MIN NI!
XXXXX-1YY	30u"/0.76u MIN (SEE NOTE 8) OVER 50u"/1.27u MIN NI!	
XXXXX-2YY	15u"/0.38u MIN (SEE NOTE 8) OVER 50u"/1.27u MIN NI!	
XXXXX-3YY	50u"/1.27u MIN (SEE NOTE 8) OVER 50u"/1.27u MIN NI!	
XXXXX-4YY	100u"/2.54u MIN Sn OVER 50u"/1.27u MIN NI (SEE NOTE 9)	
XXXXX-4YHLF	100u"/2.54u MIN Sn OVER 50u"/1.27u MIN NI (SEE NOTE 9)	
XXXXX-5YY	15u"/0.38u MIN (SEE NOTE 8) OVER 50u"/1.27u MIN NI!	
XXXXX-6YY	30u"/0.76u MIN (SEE NOTE 8) OVER 50u"/1.27u MIN NI!	
XXXXX-7YY	30u"/0.76u MIN (SEE NOTE 8) OVER 50u"/1.27u MIN NI!	
XXXXX-8YY	15u"/0.38u MIN (SEE NOTE 8) OVER 50u"/1.27u MIN NI!	

mat'l. code	ISO 1302	surface tolerance unless otherwise specified	ISO 1101	ISO 406	projection	product family	HEADER
litr	ecn no	dr	date	tolerances unless otherwise specified	angles	linear	XXXX.005/XXXX.13
					O±Z"	M.CLOUSER	11/27/90
					dr	engr	C.IREXTLER 11/27/90
					chr	C.IREXTLER	11/27/90
					appp	C.IREXTLER	11/27/90
sheet	revision	sheet	index	sheet	index	sheet	index

FRICION LATCH HEADER  
SINGLE ROW VERTICAL  
scale 4:1

dwg no 69167  
sheet 2 of 4 size A3

type Product Customer Drawing

STATUS:Released Printed: Apr 09, 2015

PDS: Rev: U

6

5

4

3

2

1

form: A3

6

5

4

2

1



PRODUCT NUMBER	NO OF POS	DIM K	DIM L	TAIL LENGTH DIM M	POLARIZATION PIN POSITION
69167-X43	1 X 3	.300/7.62	.200/5.08	.190/4.83	
69167-X44	1 X 4	.400/10.16	.300/7.62	.190/4.83	
69167-X45	1 X 5	.500/12.70	.400/10.16	.190/4.83	
69167-X46	1 X 6	.600/15.24	.500/12.70	.190/4.83	
69167-X47	1 X 7	.700/17.78	.600/15.24	.190/4.83	
69167-X48	1 X 8	.800/20.32	.700/17.78	.190/4.83	
69167-X49	1 X 9	.900/22.86	.800/20.32	.190/4.83	
69167-X50	1 X 10	1.000/25.40	.900/22.86	.190/4.83	
69167-X51	1 X 11	1.100/27.94	1.000/25.40	.190/4.83	
69167-X52	1 X 12	1.200/30.48	1.100/27.94	.190/4.83	
69167-X53	1 X 13	1.300/33.02	1.200/30.48	.190/4.83	
69167-X54	1 X 14	1.400/35.56	1.300/33.02	.190/4.83	
69167-X55	1 X 15	1.500/38.10	1.400/35.56	.190/4.83	
69167-X56	1 X 16	UNAVAILABLE			
69167-X57	1 X 17	UNAVAILABLE			
69167-X58	1 X 18	UNAVAILABLE			
69167-X59	1 X 19	UNAVAILABLE			
69167-X60	1 X 20	UNAVAILABLE			
69167-X61	1 X 21	UNAVAILABLE			
69167-X62	1 X 22	UNAVAILABLE			
69167-X63	1 X 23	UNAVAILABLE			
69167-X64	1 X 24	UNAVAILABLE			
69167-X65	1 X 25	UNAVAILABLE			
69167-X66	1 X 26	UNAVAILABLE			
69167-X67	1 X 27	UNAVAILABLE			
69167-X68	1 X 28	UNAVAILABLE			
69167-X69	1 X 29	UNAVAILABLE			
69167-X70	1 X 30	UNAVAILABLE			
69167-X71	1 X 31	UNAVAILABLE			
69167-X72	1 X 32	UNAVAILABLE			
69167-X73	1 X 33	UNAVAILABLE			
69167-X74	1 X 34	UNAVAILABLE			
69167-X75	1 X 35	UNAVAILABLE			
69167-X76	1 X 36	UNAVAILABLE			
69167-X77	1 X 10	1.000/25.40	.900/22.86	.120/3.05	2/3/5/6/8/9
69167-X78	1 X 4	1.000/25.40	.900/22.86	.120/3.05	2/3

mat'l. code	surface	ISO 1302	tolerance	ISO 406	ISO 1101	projection	product family	HEADER
litr	ecn no	dr	date	tolerances unless otherwise specified			title	
angles	linear	XX#.01/XX#.03	XX#.05/XX#.13	XX#.020/XX#.05	XX#.020/XX#.05	INCH/MM	FRICION LATCH HEADER	
dr	M.CLOUSER	11/27/90				scale 4:1	dwg no	69167
engr	C.TREXTLER	11/27/90					sheet 3 of 4 size	A3
chr	C.TREXTLER	11/27/90					type	Product Customer Drawing
appd	C.TREXTLER	11/27/90						
sheet	revision							
index	sheet							

6 5 4 3 2 1 A B C D

## X-ON Electronics

Largest Supplier of Electrical and Electronic Components

*Click to view similar products for [Headers & Wire Housings](#) category:*

*Click to view products by [FCT Electronics](#) manufacturer:*

Other Similar products are found below :

[95000-104TRLF](#) [10135584-644402LF](#) [DF62W-EP2022PCA](#) [95000-106TRLF](#) [DF62W-2022SCA](#) [DF62W-EP2022PC](#) [2203348](#) [DF62W-2022SC](#) [1084018](#) [1029039](#) [1084017](#) [802-10-012-10-002000](#) [1112640](#) [1112639](#) [891-007-9SS-BST1T](#) [000-34000](#) [0008550134](#) [0009482033](#) [0009507031](#) [57102-F02-18ULF](#) [57102-S06-03LF](#) [57202-S52-04LF](#) [PCN6-15S-2.5E](#) [0039019024](#) [58102-G61-06LF](#) [582553-1](#) [0009485154](#) [0009508121](#) [009176003701906](#) [0022285053](#) [0050291907](#) [018731A](#) [LY20-4P-DT1-P1E-BR](#) [02.125.8002.8](#) [60101931](#) [60598-1 \(Cut Strip\)](#) [M1625-3R/100](#) [61062-3](#) [61082-181009](#) [CSU011177004](#) [636-1427](#) [638009-1](#) [641938-9](#) [641991-4](#) [644168-1](#) [644827-2](#) [647662-1](#) [65039-019ELF](#) [65692-001LF](#) [65781-018](#)