



USB and HDMI Keystone Inline Coupler

Technical Features

Snap-in mounting

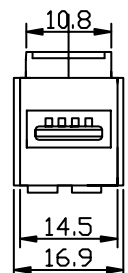
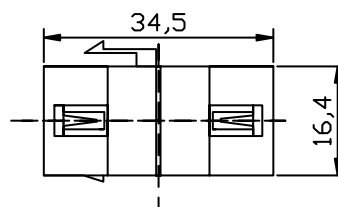
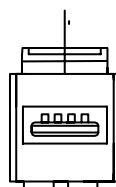
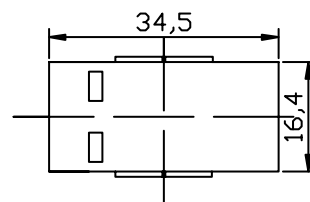
Gold plated contacts

For Keystone panels and outlets

2x Jack, 1:1 Pin-out

Technical Drawings

NK0013



www.logilink.com



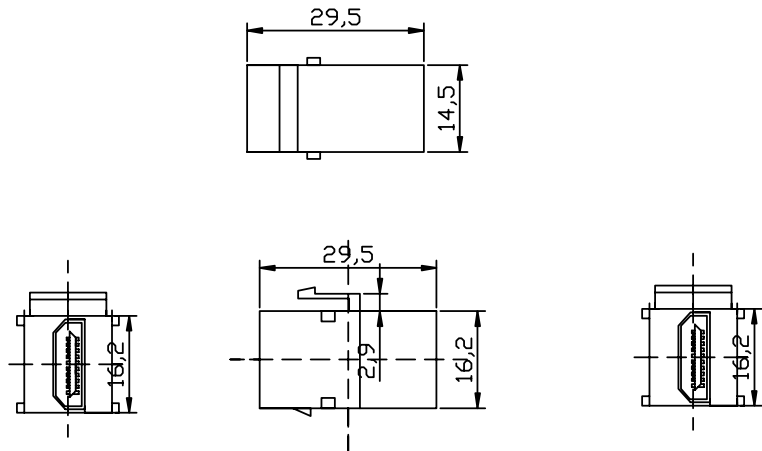
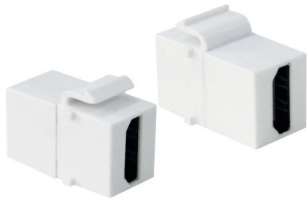
RoHS
compliant



Made in China

* The specifications and pictures are subject to change without notice.
*All trade names referenced are the registered namework of their respective owners.

NK0014



Part no.	Type	EAN Code
NK0013	USB-A	4052792027969
NK0014	HDMI	4052792027976

Package Contents

USB and HDMI Keystone Inline Coupler x 1

Packaging Informations (NK0013)

Packing Dimension	30 x 20 x 16mm
Packing Weight	0.02kg
Carton Dimension	325 x 295 x 320mm
Carton Q'ty	500pcs
Carton Weight	5.5kg

www.logilink.com



RoHS
compliant



Made in China

* The specifications and pictures are subject to change without notice.
*All trade names referenced are the registered trademark of their respective owners.

Packaging Informations (NK0014)

Packing Dimension	30 x 20 x 17mm
Packing Weight	0.02kg
Carton Dimension	325 x 295 x 320mm
Carton Q'ty	500pcs
Carton Weight	5.5kg



X-ON Electronics

Largest Supplier of Electrical and Electronic Components

Click to view similar products for [USB Cables / IEEE 1394 Cables category](#):

Click to view products by [Logilink manufacturer](#):

Other Similar products are found below :

[68768-0173](#) [FNY-W6003-01](#) [88764-0800](#) [13805532](#) [148700-1](#) [17-200621](#) [17-250051P](#) [954](#) [AC102012-2](#) [IP-USB1\(C10\)S-RW](#)
[CABLE/RTP/USB/DT](#) [0847290003](#) [10115240-12200LF](#) [RS232-GTD](#) [USBFTVX2SA2N03A](#) [USBFTV2SA2N03A](#) [1689404-1](#) [FTP-](#)
[629Y401](#) [FTP-628Y402](#) [943301-001](#) [FNY-W6022](#) [FNY-W6003-03](#) [1310-1015-05](#) [1310-1019-04](#) [0887283402](#) [UA-30AMFM-SL7B02](#) [UA-](#)
[30AMFM-SL7B01](#) [UA-30AFM-LD7B03](#) [UA-30AMFM-SL7B03](#) [USBAPSCC7202A](#) [UES-1001A160](#) [UES-1003A160](#)
[USBFTVX7SA2N20A](#) [USBFTVX2SA2N20A](#) [USBFTV2PEMSA2N10A](#) [FTP-629Y602](#) [USBCAMCM100](#) [USB A/F*2 to 2.54 2*5P-SH](#)
[L=400mm](#) [EP-CBUSB10P2FLT](#) [1310-1033-01](#) [1310-1037-04](#) [ASR-USB](#) [68784-0075](#) [17-241361](#) [17-230471](#) [217B-BC02](#) [USB-29](#) [19800-](#)
[010500-200-RS](#) [USB+MINI DIN 6P WITH BKT](#) [088738-8100](#)