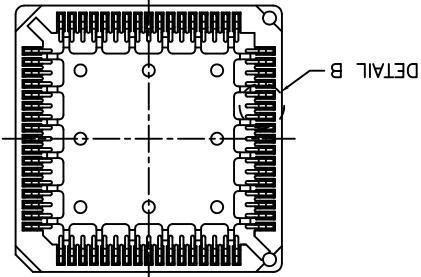
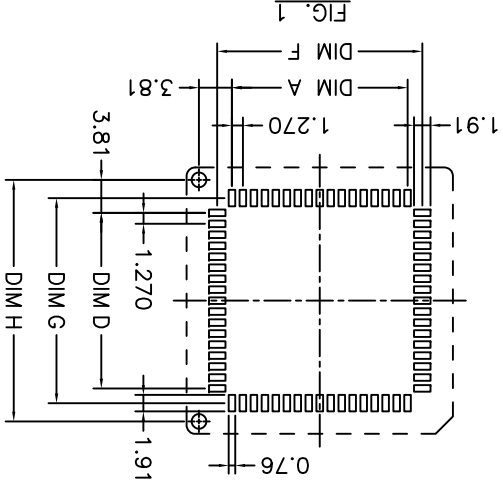
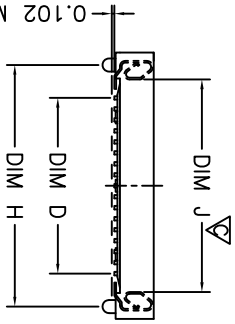
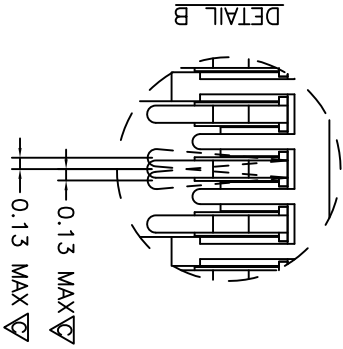
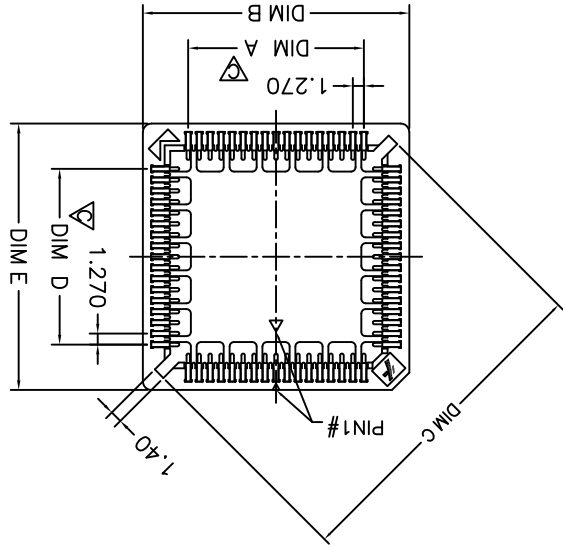
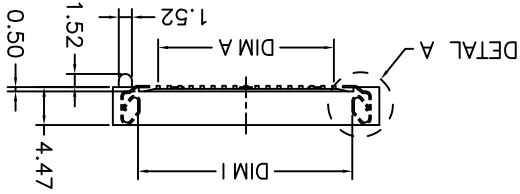
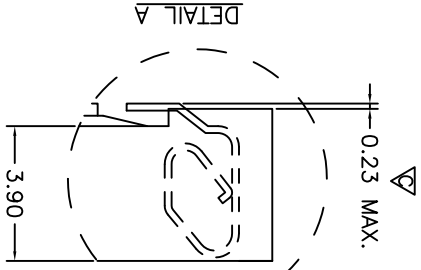




NOTE: DIMENSIONAL MARK ∇ TO BE CHECKED BY OQC.



rev	ecn no	dr	date
Y	T10136	JH	3/18/01
AA	T03-0452	JH	10/13/03
AB	T05-0017	JH	1/24/05
AC	T05-0114	JH	5/9/05
AD	T05-0212	JH	9/21/05
AE	T06-0070	JH	5/8/06
AF	T11-0002	JH	1/11/11

www.fciconnect.com		TOLERANCES UNLESS OTHERWISE SPECIFIED		projection		MM	
surface	-	ANGULAR	0X	size	A4	Scale	N/A
LINEAR	±5°	±0.05	±0.15	ECN	T11-0002	Product family	
Product family	Joseph Hsia	1/11/11	1/11/11	Product family	PLCC SMT Socket		
Appr	Joseph Hsia	1/11/11	1/11/11	Product family	PLCC SMT Socket		
Chr	Gary Hsieh	1/11/11	1/11/11	Product family	PLCC SMT Socket		
Eng	Jason Hsu	1/11/11	1/11/11	Product family	PLCC SMT Socket		
Dr	Jason Hsu	1/11/11	1/11/11	Product family	PLCC SMT Socket		
title	PLCC SMT Socket			dmg no	69802		
catalog no	-			CUSTOMER	sheet 1 of 5		



TABLE II

PART NO.	WITH POLARIZING PEGS	PACKAGING BY PVC TUBE	PACKAGING BY TAPE & REEL	MCK PART NO.
69802-0XX	✓	✓	✓	PLCC-XXP-T-SMT-P
69802-1XX		✓		PLCC-XXP-T-SMT
69802-4XX			✓	PLCC-XXP-T-SMT-TR
69802-0XXPT	✓	✓		PLCC-XXP-T-SMT-P-PT
69802-1XXPT		✓		PLCC-XXP-T-SMT-PT
69802-4XXPT			✓	PLCC-XXP-T-SMT-TR-PT
69802-0XXLF	✓	✓		PLCC-XXP-T-SMT-P-LF
69802-1XXLF		✓		PLCC-XXP-T-SMT-LF
69802-4XXLF			✓	PLCC-XXP-T-SMT-TR-LF

TABLE I

NO. OF CONTACTS	DIM. A	DIM. B	DIM. C	DIM. D	DIM. E	DIM. F	DIM. G	DIM. H	DIM. I	DIM. J
20	5.08	15.24	16.70	5.08	15.24	8.48	8.48	12.70	9.40	
28	7.62	17.78	20.30	7.62	17.78	11.02	11.02	15.24	11.94	
32	7.62	17.78	22.50	10.16	20.32	13.56	17.78	11.94	11.94	14.48
44	12.70	22.86	27.50	12.70	22.86	16.10	16.10	20.32		17.02
52	15.24	25.40	31.10	15.24	25.40	18.64	18.64	22.86		19.56
68	20.32	30.82	38.30	20.32	30.82	23.72	23.72	27.94		24.64
84	25.40	35.90	45.50	25.40	35.90	28.80	28.80	33.02		29.72

NOTE:

ORDERING DATA: 69802 - X XX XX

LF: LEAD FREE
 PT: PURE TIN PLATED.
 BLANK: TIN/LEAD PLATED.
 NO OF CONTACTS
 SEE TABLE II

www.fciconnect.com		TOLERANCES UNLESS OTHERWISE SPECIFIED		tolerance std		projection		MM	
Dr	Jason Hsu	1/11/11	ANGULAR	0X	±.025	size	A4	Scale	N/A
Eng	Jason Hsu	1/11/11	LINEAR	0XX	±.015				
Chr	Gary Hsieh	1/11/11		0XXX	±.010	ECN	TII-0002	Spec ref	
Appr	Joseph Hsia	1/11/11				Product family			
title		PLCC SMT Socket		catag no		-		CUSTOMER	
Rev.		AF		sheet 2 of 5					

D

C

B

A

D

C

B

A

1 2 3 4

4

4

3

2

1



B

A

NOTES:

1. MATERIAL:
1-1 HOUSING : PPS GB8411JUL94V-0 COLOR IN BROWN.
PLATING : 150u" TIN/LEAD OR PURE TIN MIN. OVER 40u" NICKEL MIN.
CONTACT : PHOSPHOR BRONZE C5212RH.
2. THE "FCI" LOGO IS LOCATED AS SHOWN.
3. RECOMMEND PCB LAYOUT IS SHOWN IN FIG.1.
4. COPLANARITY REQUIREMENT:
A. CONTACT MUST BE BELOW HOUSING BOTTOM SURFACE WITHIN 0.23MM.
B. CONTACT SEATING LINE MUST BE WITHIN 0.102MM.
5. THE POSITION OF PIN#1 IN THE CENTER PAD IS AS SHOWN.
6. THE PACKAGING INFORMATION SHOWS ON SHEET 4 & 5.
7. PRODUCT SPECIFICATION; GES-12-158.
8. MANUFACTURING PROCESS COMPATIBILITY: THE HOUSING WILL WITHSTAND EXPOSURE TO 245°C PEAK TEMPERATURE FOR 5 SECOND IN A IR REFLOW APPLICATION.

www.fciconnect.com		TOLERANCES UNLESS OTHERWISE SPECIFIED		projection		MM	
surface	-	ANGULAR	±0.25	size	A4	Scale	N/A
LINEAR	0X	±0.15	±0.10	ECN	TII-0002		
Dr	Jason Hsu	1/11/11	Joseph Hsia	1/11/11	Product family		
Chr	Gary Hsieh	1/11/11	Joseph Hsia	1/11/11	Spec ref		
Appr	Joseph Hsia	1/11/11	title				
PLCC SMT Socket			dmg no		Rev.		
69802			AF		catalog no		
CUSTOMER			sheet 3 of 5				

4

3

2

1

A

B

C

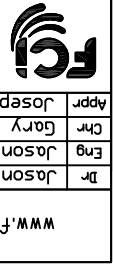
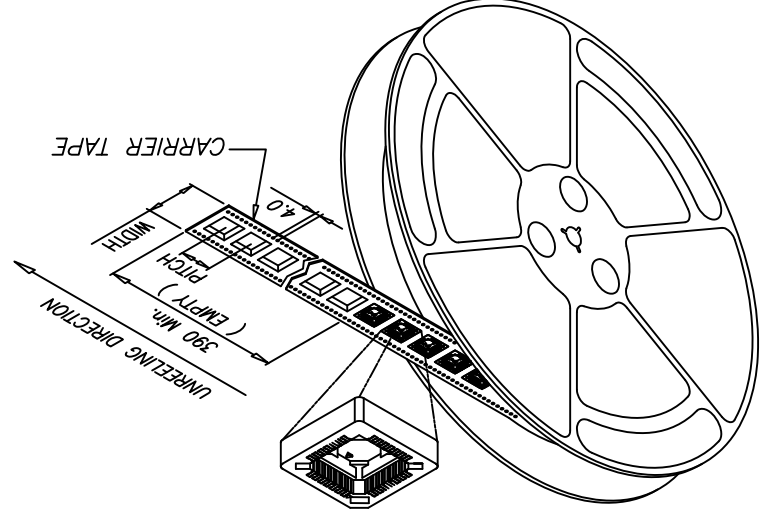
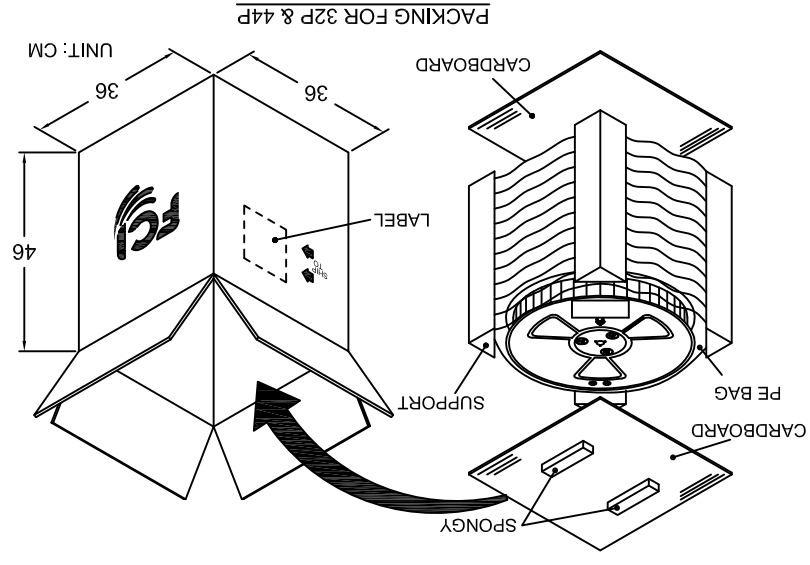
D

1

2

3

4

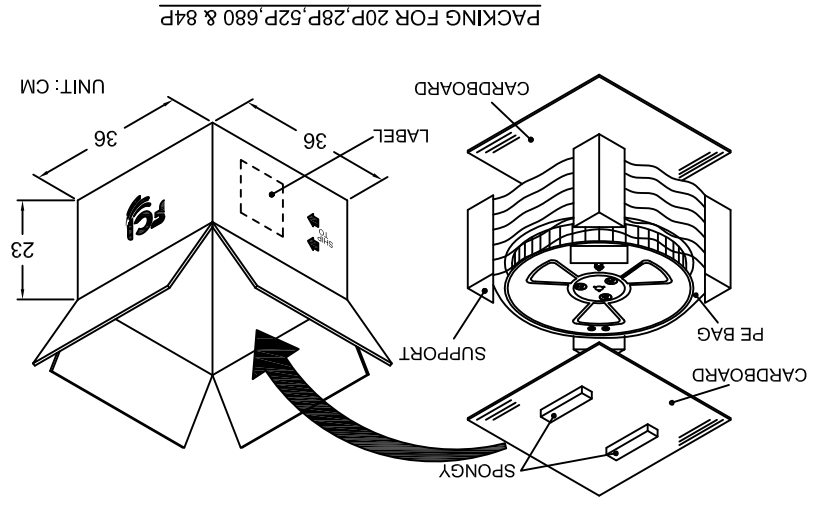


title		PLCC SMT Socket		catalog no		-	
Rev.		AF		sheet 4 of 5		CUSTOMER	
Appr		Joseph Hsia		1/11/11		Product family	
Chr		Gary Hsieh		1/11/11		ECN	
Eng		Jason Hsu		1/11/11		TII-0002	
Dr		Jason Hsu		1/11/11		Product family	
ANGULAR		LINEAR		0X		±0.25	
0X		±0.10		±0.10		±0.10	
TOLERANCES UNLESS OTHERWISE SPECIFIED		TOLERANCES UNLESS OTHERWISE SPECIFIED		TOLERANCES UNLESS OTHERWISE SPECIFIED		TOLERANCES UNLESS OTHERWISE SPECIFIED	
www.fciconnect.com		www.fciconnect.com		www.fciconnect.com		www.fciconnect.com	
surface		-		tolerance std		projection	
MM		MM		MM		MM	

* REEL DIAMETER: Ø 13 in"

NO. OF PIN.	WIDTH	PITCH	PCS/REEL	REEL/CARTON	TOTAL (PCS)
20P	24.0	24.00	470	6	2820
28P	32.0	24.00	390	5	1950
32P	32.0	24.00	390	10	3900
44P	44.0	32.00	250	8	2000
52P	44.0	32.00	250	4	1000
68P	44.0	36.00	220	4	880
84P	56.0	40.00	200	3	600

TABLE III



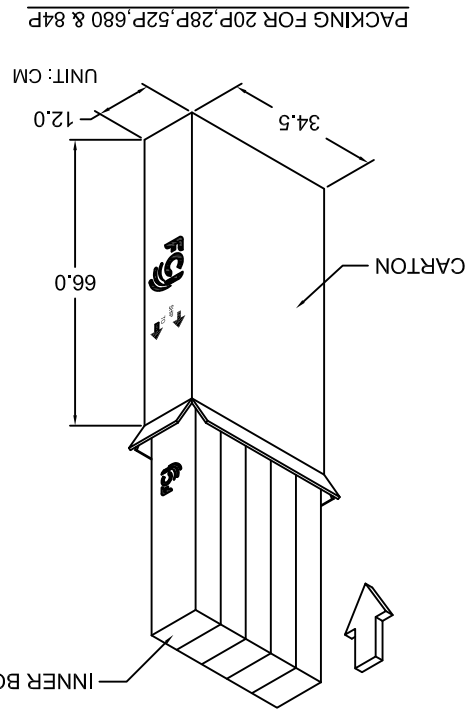
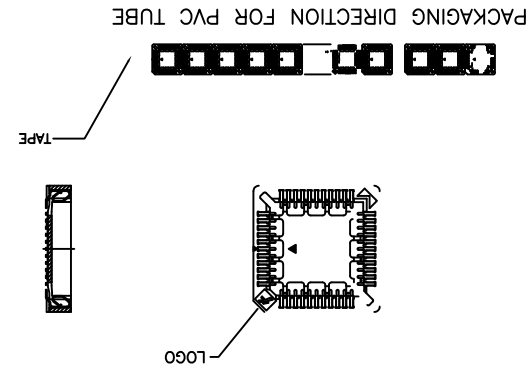
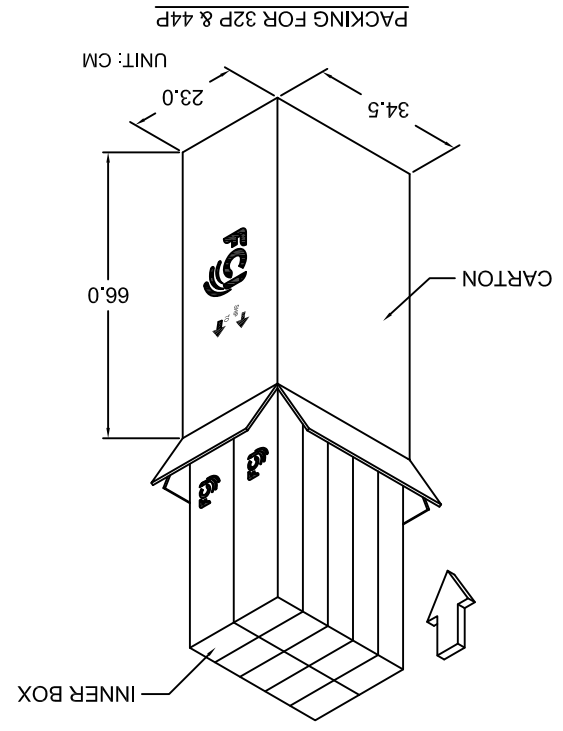
PACKAGING FOR 20P, 28P, 52P, 68P & 84P



Copyright FCI.

TABLE IV

A / P PART NO.	20P	28P	32P	44P	52P	68P	84P
69802-X20X	69802-X28X	69802-X32X	69802-X44X	69802-X52X	69802-X68X	69802-X84X	
DESCRIPTION	20P	28P	32P	44P	52P	68P	84P
PCS / TUBE	37	32	28	25	23	18	16
PCS / INNER BOX	1110	832	728	500	460	270	224
INNER BOX / CARTON (WITH SOCKET)	3	4	10	4	5	5	5
INNER BOX / CARTON (W / O SOCKET)	2	1	0	1	0	0	0
TOTAL (PCS)	3330	3328	7280	5000	1840	1350	1120
N.W.	3.2 KG	4.2 KG	10.0 KG	8.5 KG	3.2 KG	3.75 KG	3.5 KG
G.W.	6.5 KG	8.0 KG	18.0 KG	17.0 KG	7.0 KG	8.3 KG	8.0 KG



www.fciconnect.com		TOLERANCES UNLESS OTHERWISE SPECIFIED		projection		MM	
surface	-	tolerance std					
Dr	Jason Hsu	1/11/11	ANGULAR	0X	± 0.25	size	A4
Eng	Jason Hsu	1/11/11	LINEAR	0XX	± 0.15	Scale	N/A
Chr	Gary Hsieh	1/11/11		0XXX	± 0.10	ECN	TII-0002
Appr	Joseph Hsia	1/11/11	Product family	Spec ref			
title	PLCC SMT Socket		Product family	Spec ref			
Rev.	AF	69802	catlog no	CUSTOMER			
sheet 5 of 5							

X-ON Electronics

Largest Supplier of Electrical and Electronic Components

Click to view similar products for [IC & Component Sockets](#) category:

Click to view products by [Amphenol](#) manufacturer:

Other Similar products are found below :

[714-43-102-31-012000](#) [0066-3-17-15-30-14-02-0](#) [0134-0-15-15-32-27-04-0](#) [614-DG5](#) [6527-0-00-15-00-00-03-0](#) [670](#) [672](#) [673](#) [712-93-120-41-001000](#) [714-93-104-31-018000](#) [8059-4G1-LF](#) [807-22-001-10-001101](#) [807-22-001-10-003101](#) [807-22-001-10-004101](#) [807-22-001-10-006101](#) [807-22-001-30-011101](#) [807-22-001-30-012101](#) [807-22-001-30-013101](#) [807-22-001-30-014101](#) [8-1437531-4](#) [8150-6P10](#) [833-93-034-10-001000](#) [835-43-014-10-001000](#) [851-41-006-10-001000](#) [851-43-008-20-001000](#) [851-43-014-20-001000](#) [851-93-006-20-001000](#) [851-93-010-20-001000](#) [852-10-026-10-001000](#) [853-43-020-10-001000](#) [86.010.0053.0](#) [116-43-306-41-003000](#) [116-43-308-41-007000](#) [116-87-308-41-007101](#) [PX-68LCC](#) [PX-84LCC](#) [121-13-318-41-001000](#) [121-13-320-41-001000](#) [121-13-308-41-001000](#) [123-43-314-41-801000](#) [123-43-420-41-001000](#) [123-43-636-41-001000](#) [123-87-320-41-001101](#) [122-13-316-41-001000](#) [123-13-624-41-001000](#) [123-43-306-41-001000](#) [123-43-322-41-801000](#) [123-43-428-41-001000](#) [123-43-624-41-001000](#) [12-3513-11](#)