

(0,50 mm) .0197"

LTH, LSH SERIES

LSH-030-01-G-D-A



LSH-010-01-G-D-A



LSH-050-01-G-D-A



LTH-050-01-G-D-A



LTH-030-01-G-D-A



LTH-010-01-G-D-A



LOW PROFILE BLADE AND BEAM

SPECIFICATIONS

For complete specifications and recommended PCB layouts see www.samtec.com?LTH or www.samtec.com?LSH

Insulator Material:

Liquid Crystal Polymer



Terminal Material:

Phosphor Bronze

Contact Material:

BeCu

Plating:

Au over 50µ" (1,27 µm) Ni

Current Rating:

1.5A per contact

@ 80°C ambient

Operating Temp Range:

-55°C to +125°C

RoHS Compliant:

Yes

Processing:

Lead-Free Solderable:

No

SMT Lead Coplanarity:

(0,10 mm) .004" max

Board Stacking:

For applications requiring more than two connectors per board, contact ipg@samtec.com



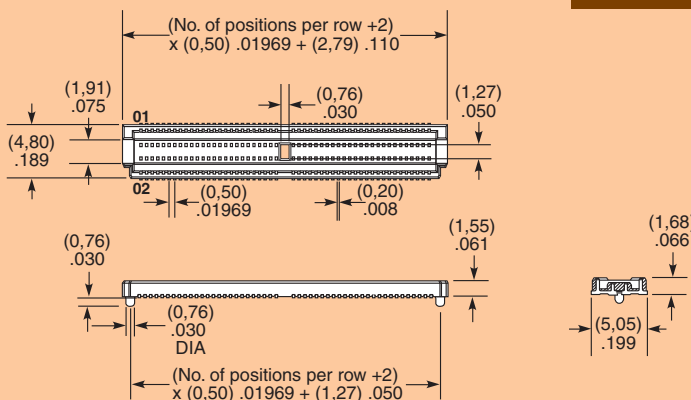
Mates with: LSH

-010, -020, -030, -040, -050

-G
= 10µ" (0,25 µm) Gold

-K
= (5,50 mm) .217" DIA Polyimide Film Pick & Place Pad

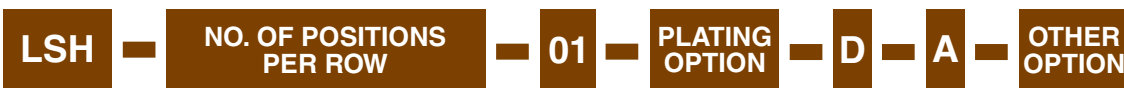
-TR
= Tape and Reel



MATED HEIGHT

LEAD STYLE	MATED HEIGHT*
-01	(2,31) .091

*Processing conditions will affect mated height.



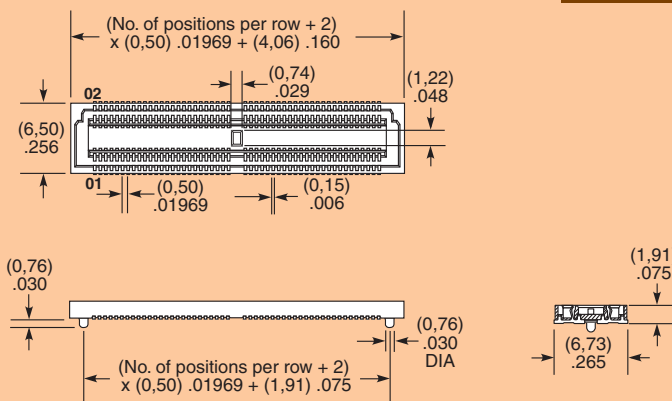
Mates with: LTH

-010, -020, -030, -040, -050

-G
= 10µ" (0,25 µm) Gold

-K
= (7,50 mm) .295" DIA Polyimide Film Pick & Place Pad

-TR
= Tape and Reel



Note: Samtec recommends right-side-up, single-pass 63/37 Tin/Lead reflow soldering for these connectors. This product is not compatible with lead-free reflow soldering.

Note: Some lengths, styles and options are non-standard, non-returnable.

Due to technical progress, all designs, specifications and components are subject to change without notice.

WWW.SAMTEC.COM

X-ON Electronics

Largest Supplier of Electrical and Electronic Components

Click to view similar products for [Board to Board & Mezzanine Connectors](#) category:

Click to view products by [Samtec](#) manufacturer:

Other Similar products are found below :

[10135583-642402LF](#) [89885-310LF](#) [589158040000018](#) [6-1393048-0](#) [68683-613](#) [MDF7-12DP-2.54DSA](#) [MDF7-18P-2.54DSA\(01\)](#) [MDF7-20DP-2.54DSA](#) [MDF7-26D-2.54DSA\(55\)](#) [MDF7-3P-2.54DSA\(01\)](#) [MDF7B-3P-2.54DSA\(55\)](#) [MDF7C-11P-2.54DSA\(55\)](#) [MDF7C-18P-2.54DSA\(55\)](#) [MDF7C-5P-2.54DSA\(01\)](#) [MDF7P-5P-2.54DSA\(55\)](#) [75234-0516](#) [FCN-230C068-11](#) [FCN-268F012-G/BD](#) [FCN-268F036-G/BD](#) [FCN-268M012-G/0D](#) [FCN-268M024-G/1D](#) [FCN-360C008-C](#) [FCN-360C040-C](#) [FCN-723J004/1](#) [MIS-048-01-F-D-DP-K](#) [832-10-034-10-001000](#) [93696-325LF](#) [11828-1FA](#) [AXK630345P](#) [18097-0013](#) [ICA-328STT](#) [2007042-2](#) [304400-2](#) [FCN-214Q030-G/0](#) [FCN-215Q040-G/0](#) [FCN-230C068-ESA](#) [FCN-234P048-G/0](#) [FCN-235D050-G/C](#) [FCN-360A3](#) [FCN-360C040-B](#) [210-93-314-41-105000](#) [2-22603-0](#) [379-064-521-202](#) [MDF7-12P-2.54DSA\(01\)](#) [MDF7-16P-2.54DS\(56\)](#) [MDF7-40DP-2.54DSA\(55\)](#) [MDF7-8P-2.54DSA\(55\)](#) [MDF7B-16P-2.54DSA\(55\)](#) [AXG720047](#) [5031084030](#)