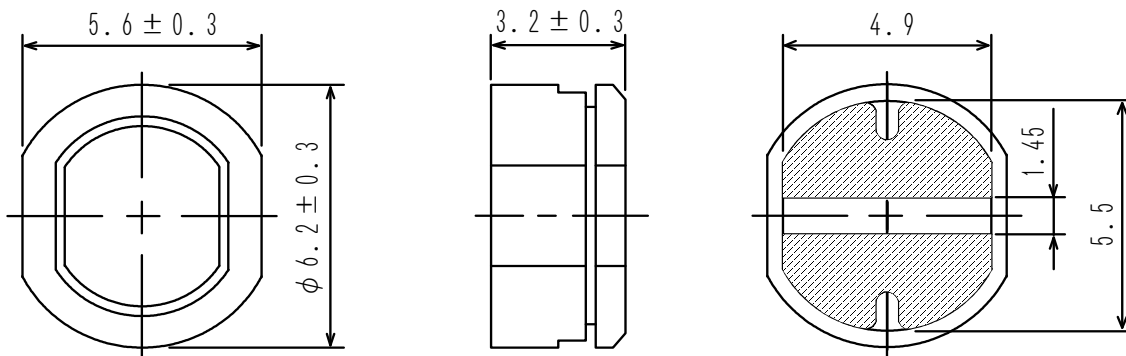
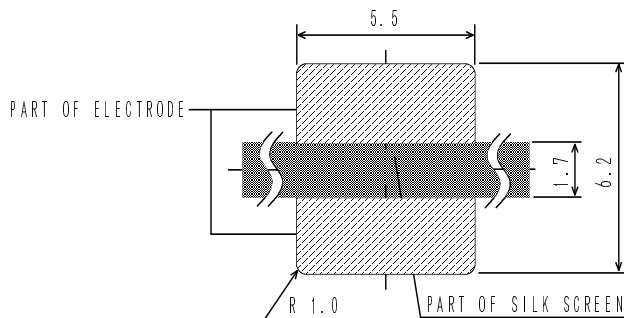


Type: CDR63B
◆ Product Description

- 6.5×5.9mm Max.(L×W), 3.5mm Max. Height.
- Inductance range: 10~68 μ H
- Rated current range: 0.42~1.0A.
- In addition to the standards versions shown here, custom inductors are also available to meet your exact requirements.


◆ Feature

- Magnetically shielded construction.
- Storage temperature range: -40°C~+100°C.
- Operating temperature range: -40°C~+100°C (Including coil's self temperature rise).
- Ideally used in Notebook PC ,LCD TV ,Game machine ,HDD,DSC/DVC, etc as DC-DC converter inductors.
- RoHS compliance.

◆ Dimensions (mm)

◆ Land Pattern (mm)


Type: CDR63B
◆ Specification

Part Name ※	Stamp	Inductance (μ H) (at 2.52 MHz)	D.C.R.(Ω) [Max.] (at 20°C)	Rated Current(A) ※1	S.R.F. (MHz) [Typ.]
CDR63BNP-100M□	A	10 \pm 20%	0.14	1.00	35.3
CDR63BNP-120M□	B	12 \pm 20%	0.16	0.94	32.2
CDR63BNP-150M□	C	15 \pm 20%	0.18	0.86	29.3
CDR63BNP-180M□	D	18 \pm 20%	0.25	0.78	26.7
CDR63BNP-220M□	E	22 \pm 20%	0.32	0.76	23.1
CDR63BNP-270M□	F	27 \pm 20%	0.36	0.64	20.8
CDR63BNP-330L□	G	33 \pm 15%	0.41	0.61	18.2
CDR63BNP-390L□	H	39 \pm 15%	0.47	0.53	17.0
CDR63BNP-470L□	J	47 \pm 15%	0.51	0.50	15.3
CDR63BNP-560L□	K	56 \pm 15%	0.72	0.46	14.1
CDR63BNP-680L□	L	68 \pm 15%	0.82	0.42	12.1

※ Description of part name

CDR63BNP-100M□

- B Box
- C Carrier Tape

※1. Rated current: The D.C. current at which the inductance decreases to 90% of its initial value or when $\Delta t=40^{\circ}\text{C}$, whichever is lower($T_a=20^{\circ}\text{C}$).

X-ON Electronics

Largest Supplier of Electrical and Electronic Components

Click to view similar products for [Fixed Inductors](#) category:

Click to view products by [Sumida](#) manufacturer:

Other Similar products are found below :

[MLZ1608M6R8WTD25](#) [MLZ1608N6R8LT000](#) [MLZ1608N3R3LTD25](#) [MLZ1608N3R3LT000](#) [MLZ1608N150LT000](#)
[MLZ1608M150WTD25](#) [MLZ1608M3R3WTD25](#) [MLZ1608M3R3WT000](#) [MLZ1608M150WT000](#) [MLZ1608A1R5WT000](#)
[MLZ1608N1R5LT000](#) [B82432C1333K000](#) [PCMB053T-1R0MS](#) [PCMB053T-1R5MS](#) [PCMB104T-1R5MS](#) [CR32NP-100KC](#) [CR32NP-151KC](#) [CR32NP-180KC](#) [CR32NP-181KC](#) [CR32NP-1R5MC](#) [CR32NP-390KC](#) [CR32NP-3R9MC](#) [CR32NP-680KC](#) [CR32NP-820KC](#)
[CR32NP-8R2MC](#) [CR43NP-390KC](#) [CR43NP-560KC](#) [CR43NP-680KC](#) [CR54NP-181KC](#) [CR54NP-470LC](#) [CR54NP-820KC](#) [CR54NP-8R5MC](#)
[MGDQ4-00004-P](#) [MGDU1-00016-P](#) [MHL1ECTTP18NJ](#) [MHL1JCTTD12NJ](#) [PE-51506NL](#) [PE-53601NL](#) [PE-53630NL](#) [PE-53824SNLT](#) [PE-62892NL](#) [PE-92100NL](#) [PG0434.801NLT](#) [PG0936.113NLT](#) [PM06-2N7](#) [PM06-39NJ](#) [HC2LP-R47-R](#) [HC2-R47-R](#) [HC3-2R2-R](#) [HC8-1R2-R](#)