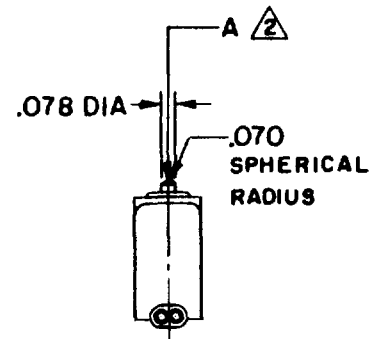
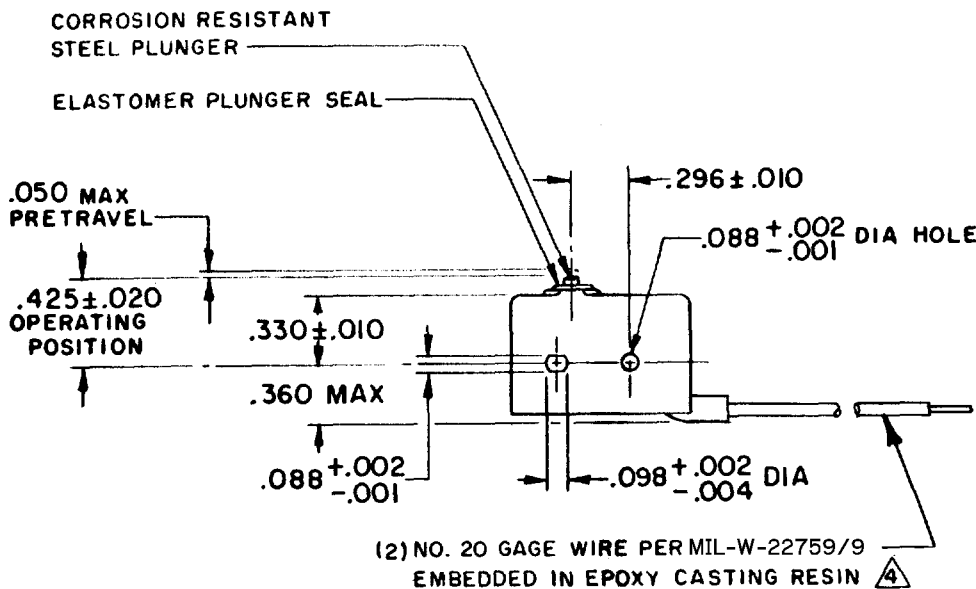
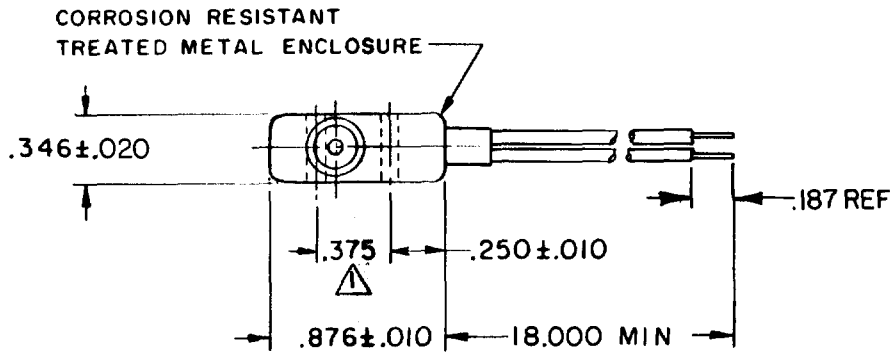


DRAWING NUMBER **6SE315**
 PAGE 1 OF 1
 ISSUE **6**
 REVISIONS:
 A CO-34213 JAL 26 SEPT 74
 B CO52067 C.J.H. 21 SEP 82
 C CO57041A C.J.H. 21 MAR 85
 D CO 71430 L.J.F. 22 NOV 91
 E CO-94402 J.J.A. 5 MAR 99
 CHECK 14 AUG 63
 CHECK 14 AUG 63
 CHECK 14 AUG 63
 DRAWN M.B.F.
 FORMTEK
 REPLACES SR 11197



- NOTE -
- ① MOUNTING HOLES WILL ACCEPT PINS OR SCREWS OF .087 MAX DIA ON .375 ± .002 CENTERS
 - ② ACTUATION IN LINE WITH ARROW "A" IS RECOMMENDED
 - ③ WEIGHT OF SWITCH ONLY IS .26 OZ MAX. WEIGHT OF SWITCH WITH WIRE LEADS IS .45 OZ MAX
 - ④ WIRE LEADS MARKED WITH CIRCUIT IDENTIFICATION AND WIRE GAGE (CLOSED - 20 AND COMMON-20) PER MIL-W-5088

THIS DRAWING COVERS A PROPRIETARY ITEM AND IS THE PROPERTY OF MICRO SWITCH, A DIVISION OF MINNEAPOLIS-HONEYWELL REGULATOR CO. THIS DRAWING IS NOT TO BE COPIED OR USED WITHOUT THE APPROVAL OF MICRO SWITCH.

CHARACTERISTICS	ELECTRICAL DATA	SCALE FULL
OPERATING FORCE — — — — 5-17 OZ	CONTACT ARRANGEMENT S P N C	DO NOT SCALE PRINT
RELEASE FORCE — — — — 4 OZ MIN	250 VAC — — — — — 5 AMP	UNLESS OTHERWISE NOTED
RELEASE TRAVEL — — — — .004 MIN	30 VOLTS DC RATING	DIMENSIONS ARE IN INCHES
DIFFERENTIAL TRAVEL — — — .004 MAX	INDUCTIVE — — — — SEA LEVEL — — — 3 AMP	TOLERANCES ARE:
OVERTRAVEL — — — — .003 MIN	RESISTIVE — — — — SEA LEVEL — — — 5 AMP	ONE PLACE (.0) ± .030
	50,000 FT — — — 2.5 AMP	TWO PLACE (.00) ± .015
	50,000 FT — — — 5 AMP	THREE PLACE (.000) ± .005
	MAXIMUM INRUSH — — — — 24 AMP	ANGLES ±
		WEIGHT ③

X-ON Electronics

Largest Supplier of Electrical and Electronic Components

Click to view similar products for [Basic / Snap Action Switches](#) category:

Click to view products by [Honeywell](#) manufacturer:

Other Similar products are found below :

[83228001](#) [01.098.1358.1](#) [602EN1-6B](#) [602EN532](#) [602EN535-RB](#) [602HE5-RB1](#) [604HE162](#) [604HE223-6B](#) [624HE17-RB](#) [6HM89](#) [6PA78-JM](#)
[6SE1](#) [6SX1-H58](#) [70500840](#) [MBD5B1](#) [MBH2731](#) [73-316-0012](#) [79211759](#) [79211923](#) [79218589](#) [7AS12](#) [ML-1155](#) [ML-1376](#) [831010C3.0](#)
[831060C3.TL](#) [831090C2.EL](#) [83131904](#) [84212012](#) [8AS239](#) [8HM73-3](#) [903VB1-PG](#) [914CE1-6G](#) [PL-100](#) [11SM1077-H4](#) [11SM1077-H58](#)
[11SM1-TN107](#) [11SM405](#) [11SM703-T](#) [11SM8423-H2](#) [11SX37-T](#) [11SX48-H58](#) [11SX55-H58](#) [11SM2442-T](#) [11SM76-T](#) [11SM77-H58](#)
[11SM77-T](#) [11SM863-T](#) [11SM866](#) [11SX47-H58](#) [A7CN-1M-1-LEFT](#)