

MSUD valve form A 18mm with cable PUR-JZ 3x0,75 yellow 5m

Form A (18 mm)
24 V AC/DC with LED and suppression

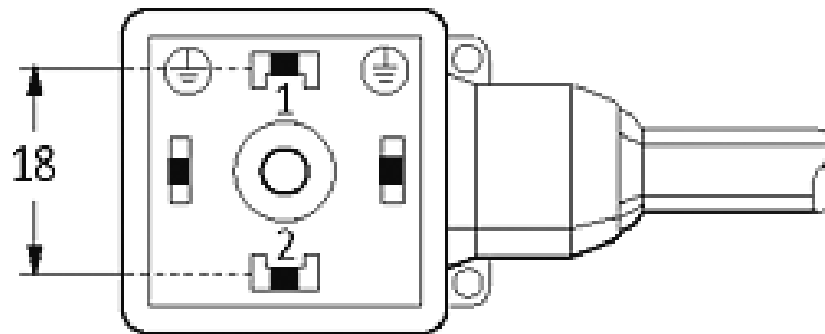
Image

Vicarious picture

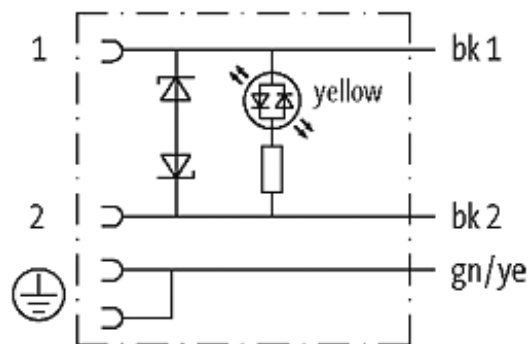
| | |
|--------------------------------|---|
| Form | 18021 |
| Technical Data | |
| Operating voltage | 24 V AC/DC ±25 % |
| Operating current per contact | max. 4 A |
| Switch off peak | max. 55 V |
| Switch off delay time | max. 20 ms |
| Locking of ports | M3 (recommended torque 0.4 Nm) |
| Protection | IP65 and IP67 when plugged and screwed down (EN 60529) |
| Housing | Black plastic (gray on request) |
| Temperature range | -25...+85 °C, depending on cable quality |
| Cable | |
| No./diameter of wires | 3 × 0.75 mm ² |
| Wire isolation | PVC (bk, num, gnye) |
| C-track properties | 2 million |
| Jacket | PUR/PVC |
| Outer diameter | approx. 5.9 mm |
| Bend radius (moving) | 15 × outer diameter |
| Temperature range (fixed) | -30...+80 °C |
| Temperature range (mobile) | -5...+80 °C |
| Commercial data | |
| Net weight | 294 |
| Weight unit | Gram |
| Basic unit | pc. |
| Customs tariff number | 85444290 |
| Unit (piece) | 1 |
| Minimum order quantity (piece) | 1 |
| Comments | <p>Further cable lengths on request.</p> <p>Plastic housings with good resistance against chemicals and oils.</p> <p>The resistance to aggressive media should be individually tested for your application. Further details on request.</p> |

All data on this data sheet was compiled carefully.
Liability regarding correctness, completeness, and actuality is limited to gross negligence. Created: 06/14

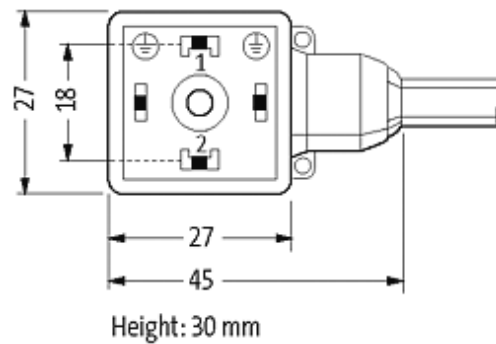
Contact layout



Circuit diagram



Dimension drawing



X-ON Electronics

Largest Supplier of Electrical and Electronic Components

Click to view similar products for [Other Tools](#) category:

Click to view products by [Murr Elektronik](#) manufacturer:

Other Similar products are found below :

[CR-05FL7--150R](#) [CR-05FL7--698K](#) [899-2-KT46](#) [899-5-KT46](#) [CR-0AFL4--332K](#) [CR-12FP4--260R](#) [CRCW04021100FRT7](#)
[CRCW04021961FRT7](#) [5800-0090](#) [CRCW04024021FRT7](#) [CRCW040254R9FRT7](#) [CRCW0603102JRT5](#) [59065-5](#) [00-8273-RDPP](#) [00-8729-](#)
[WHPP](#) [593033](#) [593058](#) [593072](#) [593564100](#) [593575](#) [593591](#) [593593](#) [011349-000](#) [LTLA506SBLAMNBL](#) [CRCW08052740FRT1](#) [LUC-](#)
[012S070DSM](#) [LUC-018S070DSP](#) [599-2021-3-NME](#) [599-JJ-2021-03](#) [00-5080-YWPP](#) [5E4750/01-20R0-T/R](#) [LW1A-L1-GL](#) [LW1A-P1-GD](#)
[LW1L-A1C10V-GL](#) [LW1L-M1C70-A](#) [0202-0173](#) [00-9089-RDPP](#) [00-9300-RDPP](#) [CRCW2010331JR02](#) [01-1003W-8/32-10](#) [601-GP-08-](#)
[KT39](#) [601-JJ-06](#) [601-SPB](#) [601YSY](#) [602-JJ-03](#) [602SPB](#) [602Z](#) [603-JJ-07-FP](#) [603-JJY-04](#) [604J](#)