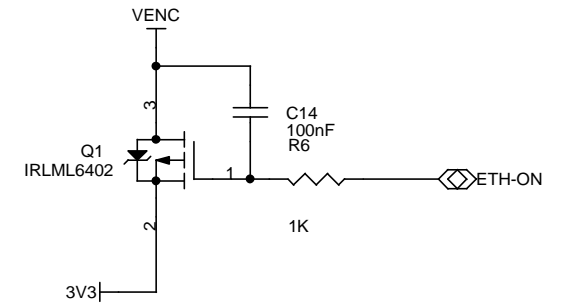
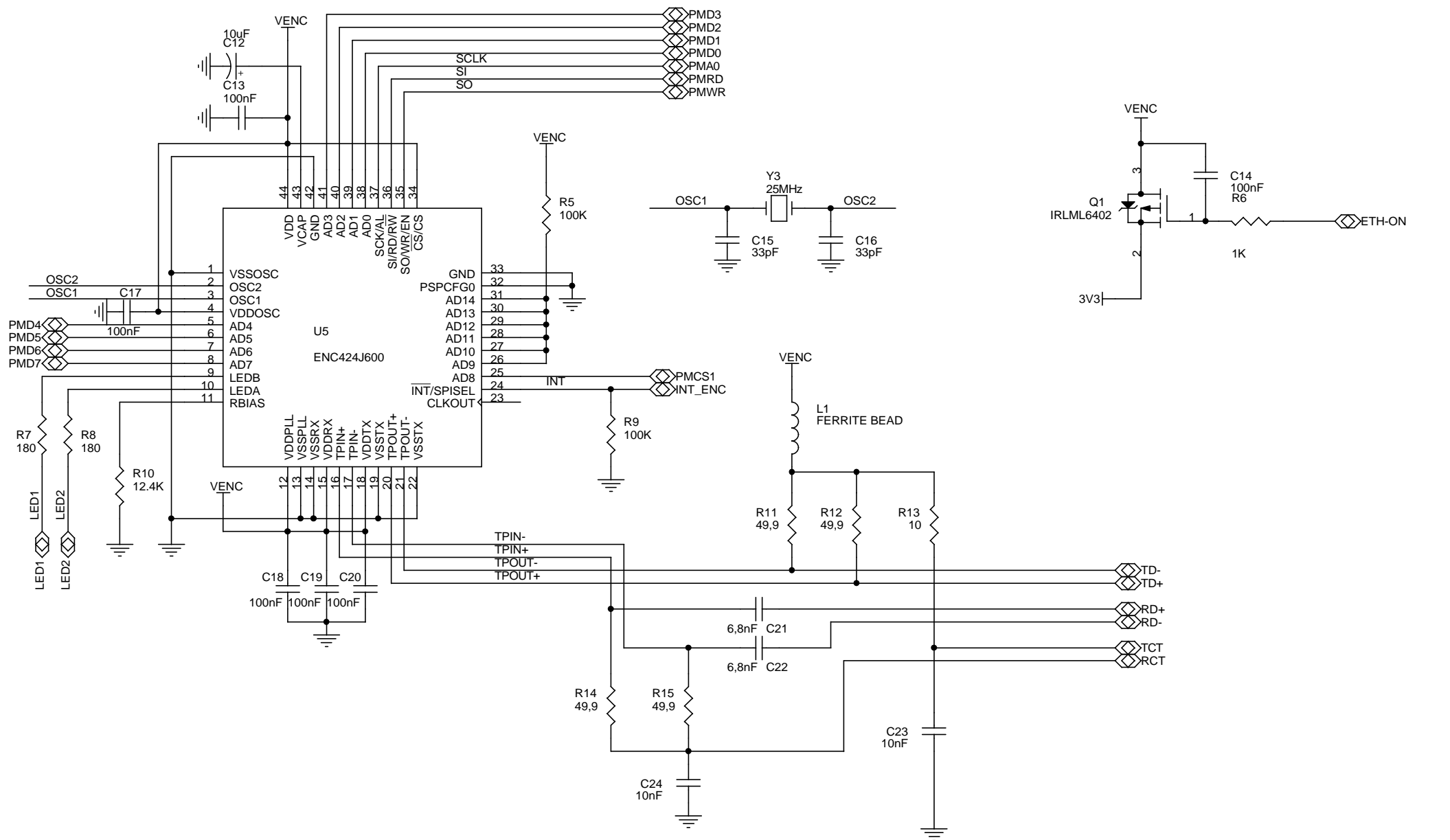


Title		
FlyportPRO ETH		
Size	Document Number	Rev
A4	CPU	0
Date:	Thursday, July 04, 2013	Sheet 1 of 2



This schematic by openPicus is licensed under a Creative Commons Attribution 3.0 Licence  
<http://creativecommons.org/licenses/by/3.0/>  
 Based on a work at [www.openpicus.com](http://www.openpicus.com).  
 Permissions beyond the scope of this license may be available at <http://wiki.openpicus.com>



This schematic by openPicus is licensed under a Creative Commons Attribution 3.0 Licence  
<http://creativecommons.org/licenses/by/3.0/>  
 Based on a work at [www.openpicus.com](http://www.openpicus.com).  
 Permissions beyond the scope of this license may be available at <http://wiki.openpicus.com>

Title		
FlyportPro ETH		
Size	Document Number	Rev
A4	ENC	0
Date:	Thursday, July 04, 2013	Sheet 2 of 2

## X-ON Electronics

Largest Supplier of Electrical and Electronic Components

*Click to view similar products for [Ethernet Modules](#) category:*

*Click to view products by [Openpicus](#) manufacturer:*

Other Similar products are found below :

[1026937](#) [1026932](#) [M38510/00302BCA](#) [70001610](#) [70001634](#) [850-15633](#) [PD-AS-951/12-24](#) [GX-OC1601](#) [1402407](#) [I210T1](#) [I350T4V2](#)  
[SBL2EX](#) [SL170115](#) [GX-OD1612](#) [CPTS-4R4E-R](#) [TDKEZW3](#) [I350F2](#) [I350F2BLK](#) [I350T2V2](#) [V23993-USB1029A](#) [100-POE4](#) [105FX-ST](#)  
[105TX-SL](#) [SEG305-T](#) [70001992](#) [70001993](#) [708TX](#) [854-19720](#) [I350T4V2BLK](#) [I350T2V2BLK](#) [I210T1BLK](#) [PD-OUT/MBK/S](#) [SX-BR-](#)  
[4600WAN2-US](#) [W4S105C](#) [X710DA4FHBLK](#) [I350T2V2BLK](#) [936714](#) [GX-ID1611](#) [3G8F7-DRM21-E](#) [EKI-2525I-BE](#)  
[BCM53426A0KFSBG](#) [PCM-24R2GL-AE](#) [96NIC-1G4P-PE-IN2](#) [0.70001777](#) [BCM53402A0KFSBG](#) [105FXE-SC-15-POE](#) [PD-OUT/MBK/G](#)  
[856-15410](#) [X520QDA1](#) [BCM84794A1KFSBG](#) [X520DA2OCP](#)