




Product information CM 06 SD 20

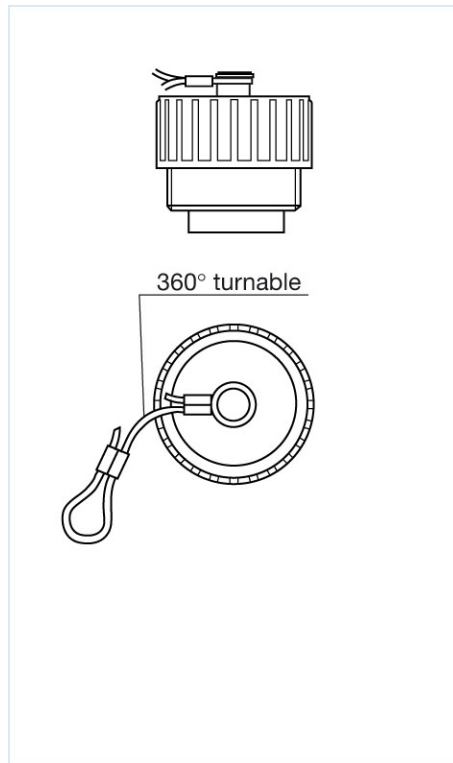
Industrial Connecting Solutions: Circular Connectors: MIL, DIN, Universal Connectors: MIL-C-5015 or VG 95342 Connectors (CM series): Accessories CM-series: CM 06 SD 20

<http://www.e-catalog.beldensolutions.com/link/57078-24228-256281-256284-24363-24366-36224/en/conf/ui/state>

Name	CM 06 SD 20
	
	Cap for cable sockets
Delivery informations	
Availability	available
Product description	
Description	Cap for cable sockets
Type	CM 06 SD 20
Order No.	831 767-100
Number of contacts	for 7, 8, 14, 17
Housing Color	black
Technical data	
Type of termination	screw
Material	
Housing material	PA 66-GF 25
Environmental conditions	
Temperature range	-40 °C to +90 °C
Packing unit	
Packaging unit	100 pieces
Scope of delivery and accessories	
Scope of delivery	1 cap with external thread, nylon loop
Accessories to order separately	can be plugged into CM 06 EA 20-...

Picture

Drawing



Belden Deutschland GmbH
Im Gewerbepark 2
58579 Schalksmühle
Germany
Phone: +49 7127/14-1806
E-Mail: icos-sales@belden.com

The information published in the websites has been compiled as carefully as possible. It is subject to alteration without notice in technical as well as in price-related/commercial respect. The complete information and data were available on user documentation. Mandatory information can only be obtained by a concrete query.

X-ON Electronics

Largest Supplier of Electrical and Electronic Components

Click to view similar products for [Circular Metric Connectors](#) category:

Click to view products by [Hirschmann](#) manufacturer:

Other Similar products are found below :

[1424048](#) [1021212](#) [600X518037X](#) [6STD09SAM99B70X](#) [6STD15PCR99B70A](#) [8R4000A16M020](#) [1200910002](#) [1201150041](#) [1203580030](#)
[1200700064](#) [1200700263](#) [1200700416](#) [1200730102](#) [1200770002](#) [1-2823588-2](#) [130203-0054](#) [1300140026](#) [1300150099](#) [1-3637-600-5205](#)
[1545399](#) [1594331](#) [1600413](#) [1612606](#) [1612618](#) [1614660](#) [1A4000-348](#) [CA06EW24-10P-B-03](#) [21036836414](#) [2823064-1](#) [1610759](#) [A1642LK-](#)
[II-T](#) [1R3006A20M005](#) [41-01016](#) [41-40011](#) [41-40017](#) [42-00006](#) [42-01015](#) [4-22279-4](#) [4-22281-1](#) [4-22284-9](#) [43-00002](#) [43-00113](#) [43-00130](#)
[43-01028](#) [43-01034](#) [43-01088](#) [43-01090](#) [43-01203](#) [43-01209](#) [43-01335](#)