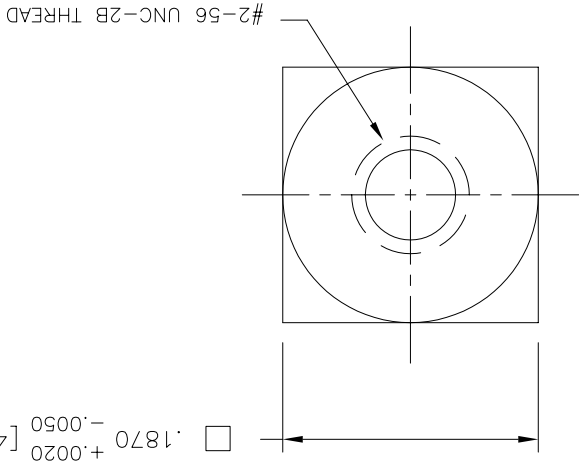


PRODUCT NO.	71226-001
NOTES	-
	71226-001LF
	NOTE 2

NOTES:

- 1. MATERIAL: 416 STAINLESS STEEL.
- 2. THIS PRODUCT MEETS EUROPEAN UNION DIRECTIVES AND OTHER COUNTRY REGULATIONS AS DESCRIBED IN GS-22-008.



□ .1870 +.0020
-0.050
[4.75 +0.051
-0.127]

.072 [1.83]

mat'l. code		surface		ISO 1302		tolerance		ISO 406		ISO 1101		projection		product family		HPC	
itr		ecn no		dr		date		tolerances unless otherwise specified		.XX±.01/.3		INCH/MM		title		NUT, SQUARE #2-56	
A		V50947		GAH		8/8/95		angles		indeg		.XXXX±.005/.13		scale 1:1		sheet 1 of 2 size	
B		V60758		SAR		6/18/96		0°±2'		G. HULL		8/8/95		V05-0697		DAI	
C		V00558		LSS		3/3/00		0°±2'		D. HORCHLER		7/25/95		M06-0265		ACS	
D		V05-0697		DAI		8/18/05		engr		D. HORCHLER		8/9/95		E		M06-0265	
E		M06-0265		ACS		7/10/06		chr		D. HORCHLER		8/9/95		revision		E	
sheet		revision		E		E		sheet		1		2		index		sheet	
4		3		2		1		5		4		3		2		1	

D

Copyright FCI

C

FCI
FCIconnect.com

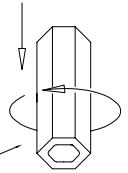
B

A

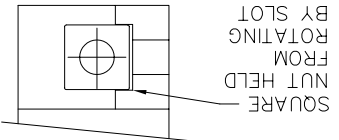
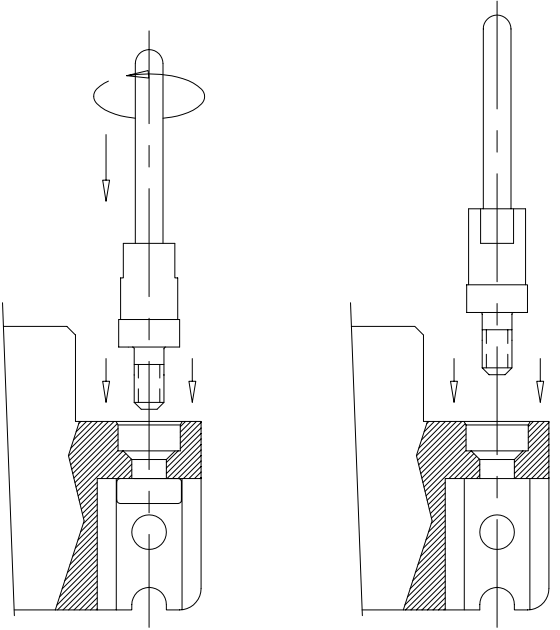
1

PRODUCT NO.
SEE SHT. 1

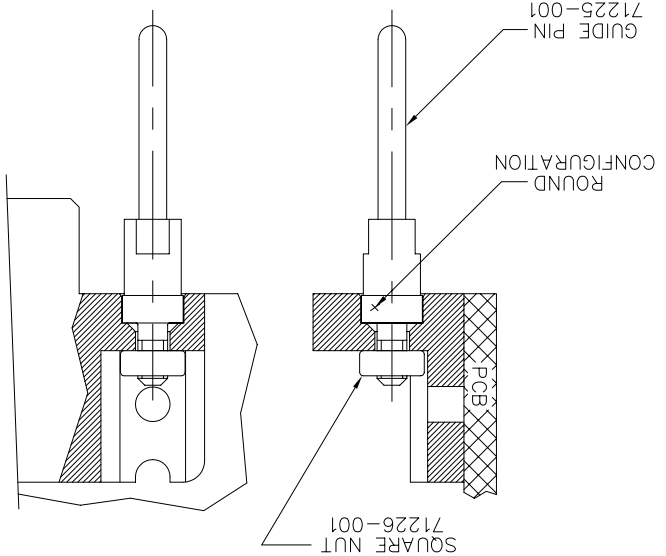
ASSEMBLY NOTE:
AFTER CONNECTOR IS ON PCB,
INSERT THE SQUARE NUT, AND
THEN SCREW IN THE GUIDE PIN



UN-ASSEMBLED GUIDE PIN
SEE NOTE 2



SQUARE
NUT HELD
FROM
ROTATING
BY SLOT



ASSEMBLED GUIDE PIN

NOTE:
① MATERIAL: 416 STAINLESS STEEL.
2. RECOMMENDED INSTALLATION TOOL: P/N
166769-001 (FOR USE IN 1/4" HEX DRIVE).
3. DRAWING 71225 IS A RECEPTACLE MOUNTED MALE GUIDE PIN

mat'l. code		ISO 1302	surface	ISO 406	tolerance	ISO 1101	projection	product family	HPC
itr	ecn no	dr	date	tolerances unless otherwise specified	.XX±.01/.3	inches	INCH/MM	title	NUT, SQUARE #2-56
E			angles	inches	.XXX±.005/.13	scale	1:1	dwg no	71226
			0°±2'	xxxx±.0020/.051		type	Product Customer Drawing	sheet 2 of 2 size	A3
sheet	revision		dr	engr	chr	pppd	S. CLARK	8/10/95	
index	sheet			engr	chr	pppd	D. HORCHLER	7/25/95	
				engr	chr	pppd	D. HORCHLER	8/9/95	
				dr			G. HULL	8/8/95	

6

D

C

B

A

6

D

5

4

3

2

1

1

1

1

1

1

1

1

1

1

1

1

1

1

1

1

1

1

1

1

1

1

1

1

1

1

1

1

1

1

1

1

1

1

1

1

1

1

1

1

1

1

1

1

1

1

1

1

1

1

1

1

1

1

1

1

1

1

1

1

1

1

1

1

1

1

1

1

1

1

1

1

1

1

1

1

1

1

1

1

1

1

1

1

1

1

1

1

1

1

1

1

1

1

1

1

1

1

1

1

1

1

1

1

1

1

1

1

1

1

1

1

1

1

1

1

1

1

1

1

1

1

1

1

1

1

1

1

1

1

1

1

1

1

1

1

1

1

1

1

1

1

1

1

1

1

1

1

1

1

1

1

1

1

1

1

1

1

1

1

1

1

1

1

1

1

1

1

1

1

1

1

1

1

1

1

1

1

1

1

1

1

1

1

1

1

1

1

1

1

1

1

1

1

1

1

1

1

1

1

1

1

1

1

1

1

1

1

1

1

1

1

1

1

1

1

1

1

1

1

1

1

1

1

1

1

1

1

1

1

1

1

1

1

1

1

1

1

1

1

1

1

1

1

1

1

1

1

1

1

1

1

1

1

1

1

1

1

1

1

1

1

1

1

1

1

1

1

1

1

X-ON Electronics

Largest Supplier of Electrical and Electronic Components

Click to view similar products for [Hard Metric Connectors](#) category:

Click to view products by [FCT Electronics](#) manufacturer:

Other Similar products are found below :

[10146110-VR5C](#) [6345127-1](#) [646916-9](#) [6469658-1](#) [853016](#) [973108](#) [1-2000713-0](#) [1-2000713-2](#) [1-2000713-3](#) [120646-1](#) [134187](#) [1645343-1](#)
[1645456-1](#) [1645564-3](#) [1645594-1](#) [1645601-1](#) [1934822-1](#) [2000829-2](#) [2000985-2](#) [223085-1](#) [278071110010833](#) [1645179-1](#) [1645245-1](#)
[1645457-1](#) [1645525-1](#) [1645570-1](#) [1645596-1](#) [17-8072-125-000-863+](#) [1857470-1](#) [1934275-1](#) [1934289-1](#) [1934759-1](#) [2000670-2](#) [2000673-1](#)
[2000843-2](#) [2000984-2](#) [204975](#) [2170292-2](#) [2-536642-6](#) [3-100668-0](#) [3-106015-1](#) [352188-1](#) [352629-1](#) [3-646346-0](#) [3-646356-0](#) [3-646457-0](#) [3-646529-0](#) [3-646530-0](#) [5120823-1](#) [5120899-1](#)