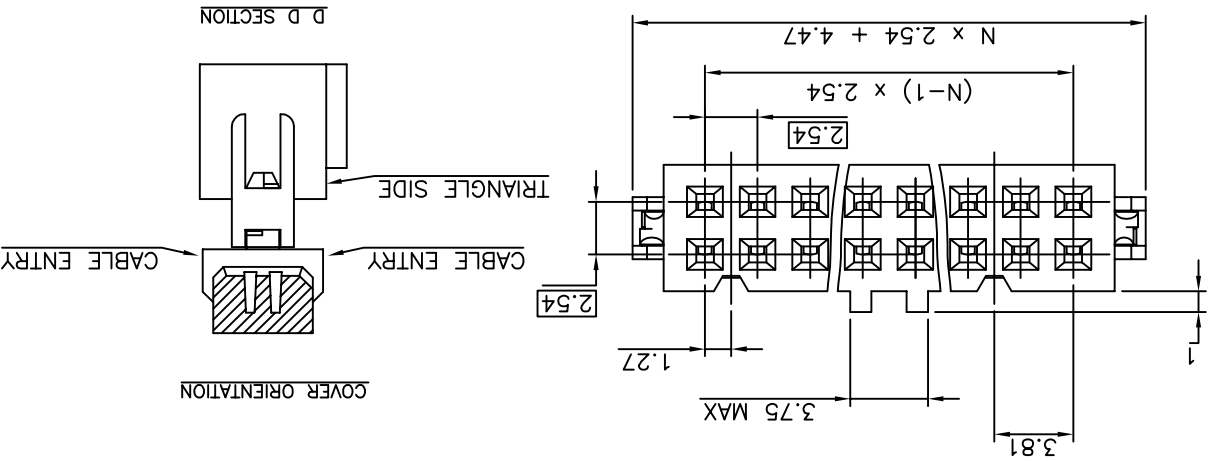
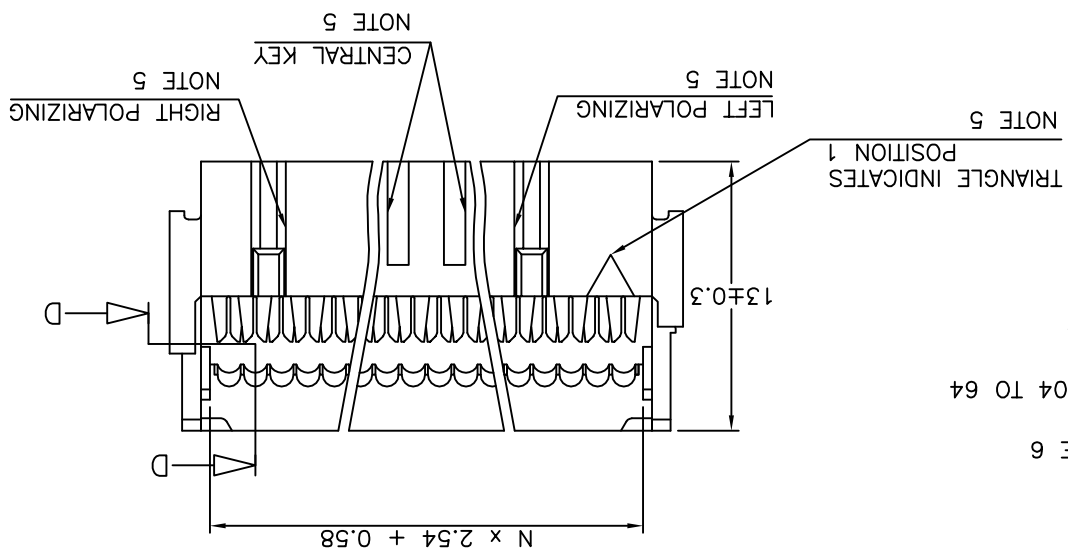


PRODUCT NUMBER
71600-YYXLF

LEAD FREE, SEE NOTE 6
TOTAL NB OF POSITION 04 TO 64
SEE SHEET 2
OPTIONAL STRAIN RELIEF
SEE SHEET 2



- NOTES:
- 1 - PLASTIC MAT'L : GLASS FILLED HIGH TEMPERATURE THERMOPLASTIC. UL94V-0 COLOR: GREY
 - 2 - PIN MATERIAL : PHOSPHOR BRONZE
 - 3 - PRODUCT PACKAGED IN TUBES.
 - 4 - TO DETERMINE DIMENSIONS :
N = NUMBER OF POSITIONS PER ROW
EXAMPLE : 8 POS N x 2.54 = 20.32mm
 - 5 - 2x5, 2x6, 2x7 HAVE NO LEFT POLARIZING SLOT.
2x2, 2x3 WITH CENTRAL KEY HAVE NO TRIANGLE, NO LEFT AND RIGHT POLARIZING SLOT.
2x2 WITHOUT CENTRAL KEY HAS NO LEFT AND RIGHT POLARIZING SLOT.
 - 6 - 2x3, 2x4 WITHOUT CENTRAL KEY HAVE NO LEFT POLARIZING SLOT.
2x4 WITH CENTRAL KEY HAVE NO LEFT AND RIGHT POLARIZING SLOT

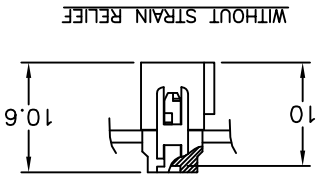
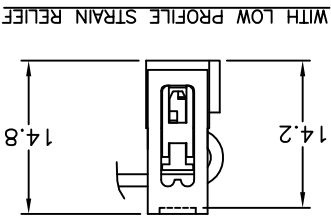
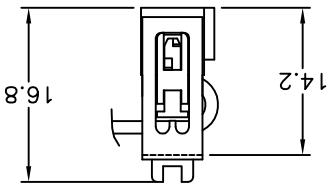
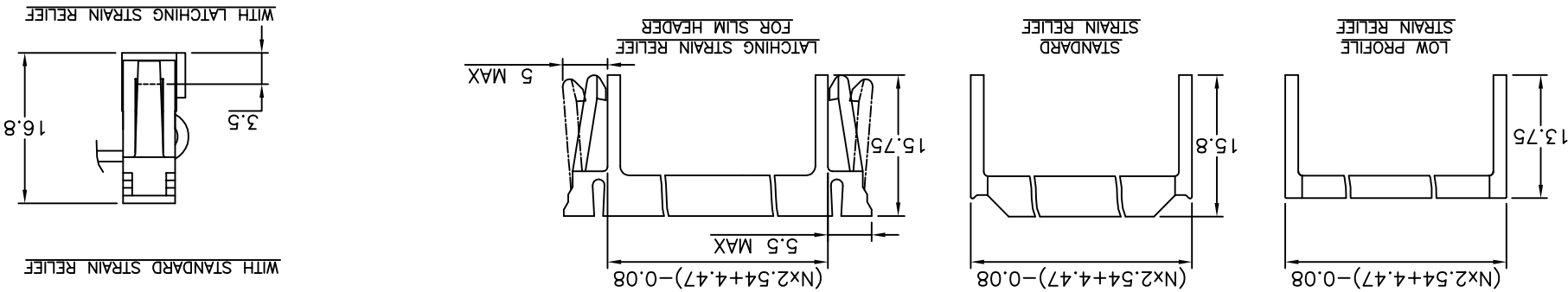
THIS PRODUCT MEETS EUROPEAN UNION DIRECTIVES AND OTHER COUNTRY REGULATIONS AS PER GS-22-008.
PACKAGING SPECIFICATION AS PER GS-14-920.

mat'l. code	ISO 1302	surface	tolerance	projection	product family
SEE NOTES	ISO 1302	ISO 1302	ISO 406 ISO 1101	ISO 1101	2.54MM IDC
lfr	ec'n no	dr	date	tolerances unless otherwise specified	title
AP	F12-0046	LMU	12.04.25	X.X ±0.3	QUICKIE III FEM
AJ	F05-0171	LMU	05.04.07	linear X.XX ±0.13	0.76µm Au
AK	F05-0180	LMU	05.04.22	X.XXX ±0.05	scale 5:1
AL	F06-0270	LMU	06.09.12		FCI
AM	F06-0274	LMU	06.09.25		type
AN	F09-0233	LMU	09.12.15		CUSTOMER Drawing
revision	AP	AE			
sheet	1	2			
index	sheet				

PRODUCT NUMBER	CENTRAL KEY		STRAIN RELIEF		
	WITH	WITHOUT	STANDARD	WITHOUT	LOW PROFILE
71600-0YLLF	●		●		
71600-1YLLF	●			●	
71600-2YLLF	●			●	
71600-3YLLF		●		●	
71600-6YLLF	●				●

CORE RANGE		CATALOGUE RANGE	
STRAIN RELIEF	Nbr OF POSITIONS	STRAIN RELIEF	Nbr OF POSITIONS
PLATING	0.76µm GOLD ON CONTACT AREA	PLATING	0.76µm GOLD ON CONTACT AREA
	1.27 µm NI REMAINDER OF PRODUCT		1.27 µm NI REMAINDER OF PRODUCT
0/1	04	2/6	04
0/1	06	2/6	06
0/1	08	2/6	08
0/1	10	2/6	10
0/1	14	2/6	14
0/1	16	2/6	16
0/1	18	2/6	18
0/1	20	2/6	20
0/1	24	2/6	24
0/1	26	2/6	26
0/1	30	2/6	30
0/1	34	2/6	34
0/1	40	2/6	40
0/1	50	2/6	50
0/1	60	2/6	60
0/1	64	2/6	64

DASHES NOT AVAILABLE
004
204 / 224
304
624



mat'l. code		ISO 1302		surface		tolerance		projection		product family		title		IDC RECEIPT		DR		dwg no		sheet 2 of - size		CUSTOMER Drawing	
ltr	ecr	no	dr	date	linear	angles	mm	mm	mm	mm	mm	mm	mm	mm	mm	mm	mm	mm	mm	mm	mm	mm	mm
X	F70666	AAN	97.11.05																				
Y	F10121	DLE	01.01.24																				
AA	F10199	GCO	01.04.26																				
AB	F03019	DLE	03.01.23	dr																			
AC	F05-0180	LMU	05.04.22	engr																			
AD	F06-0270	LMU	06.09.12	chr																			
AE	F06-0274	LMU	06.09.25	appd																			

X-ON Electronics

Largest Supplier of Electrical and Electronic Components

Click to view similar products for [Headers & Wire Housings](#) category:

Click to view products by [Amphenol](#) manufacturer:

Other Similar products are found below :

[95000-104TRLF](#) [10135584-644402LF](#) [DF62W-EP2022PCA](#) [95000-106TRLF](#) [DF62W-2022SCA](#) [DF62W-EP2022PC](#) [2203348](#) [DF62W-2022SC](#) [1084018](#) [1029039](#) [1084017](#) [802-10-012-10-002000](#) [1112640](#) [1112639](#) [891-007-9SS-BST1T](#) [000-34000](#) [0008550134](#) [0009482033](#) [0009507031](#) [57102-F02-18ULF](#) [57102-S06-03LF](#) [57202-S52-04LF](#) [PCN6-15S-2.5E](#) [0039019024](#) [58102-G61-06LF](#) [582553-1](#) [0009485154](#) [0009508121](#) [0022285053](#) [0050291907](#) [018731A](#) [LY20-4P-DT1-P1E-BR](#) [02.125.8002.8](#) [60101931](#) [60598-1 \(Cut Strip\)](#) [M1625-3R/100](#) [61062-3](#) [61082-181009](#) [CSU011177004](#) [636-1427](#) [638009-1](#) [641938-9](#) [641991-4](#) [644168-1](#) [644827-2](#) [647662-1](#) [65039-019ELF](#) [65692-001LF](#) [65781-018](#) [65781-047](#)