

# ENGINEERING DATA SHEET

# SO-1056-8691

RELAY SOCKET  
12 AMP



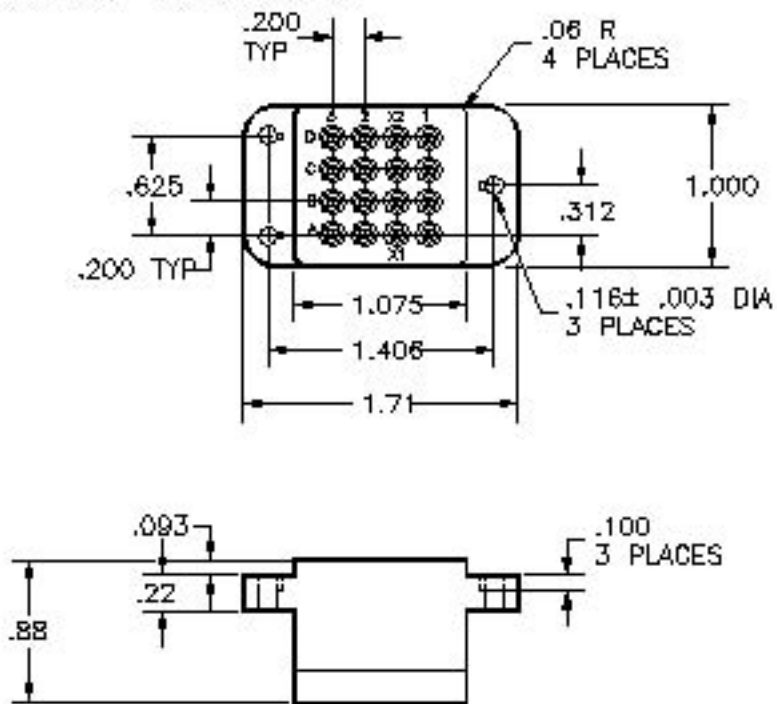
BASIC SOCKET SERIES DESIGNATION FOR:

**Series KL**  
**Series TDH-7050, TDH-7060, TDH-7070**

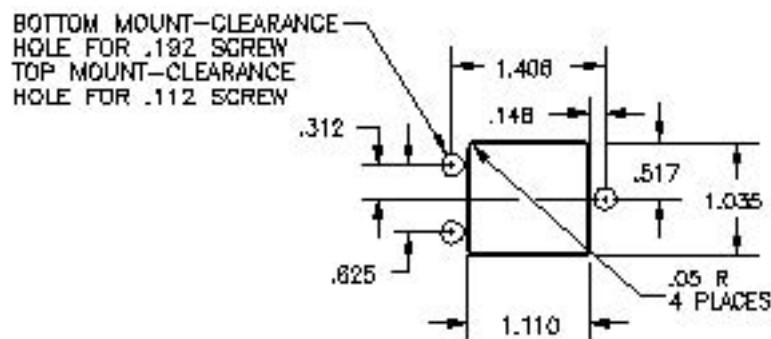
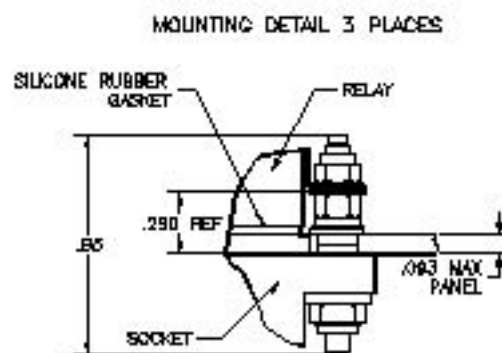
MEETS THE REQUIREMENTS OF:

**MIL-DTL-12883**

## SOCKET DRAWING



## HARDWARE MOUNTING



## MOUNTING DIMENSIONS

## GENERAL CHARACTERISTICS

1. Supplied with mounting hardware No. 16 contacts, No. 16 crimp.

2. Standard tolerances

.xx ±.01; xxx ±.005

3. Weight

.118 lb. max

4. Temperature range

-70° C to +125° C



Featuring **LEACH**® power and control solutions  
www.esterline.com

**AMERICAS**  
6900 Orangethorpe Ave.  
P.O. Box 5032  
Buena Park, CA 90622

Tel: (01) 714-736-7599  
Fax: (01) 714-670-1145

**EUROPE**  
2 Rue Goethe  
57430 Sarralbe  
France

Tel: (33) 3 87 97 31 01  
Fax: (33) 3 87 97 96 86

**ASIA**  
Units 602-603 6/F Lakeside 1  
No.8 Science Park West Avenue  
Phase Two, Hong Kong Science Park  
Pak Shek Kok, Tai Po, N.T.  
Hong Kong

Tel: (852) 2 191 3830  
Fax: (852) 2 389 5803

Data sheets are for initial product selection and comparison. Contact Esterline Power Systems prior to choosing a component.

## **X-ON Electronics**

Largest Supplier of Electrical and Electronic Components

*Click to view similar products for [esterline](#) manufacturer:*

Other Similar products are found below :

[KC-A1N](#) [M83536/32-003L](#) [SO-1056-8691](#) [9123-8070](#) [K-D4A](#) [X-J7B](#) [S320-A1A10](#) [J-J7A-012](#) [VS-455-1](#) [TDH-2016-1002](#) [M83536/5-024M](#)  
[S283A004-7](#) [9130G-10677](#) [9524-6507](#) [X-A2N](#) [X-A1N](#) [KL-D4L-029](#) [TDH-7101-2002](#) [JC-D1N](#) [Y-D4N-300L](#) [002-5089-000](#) [JA-D4E](#)  
[M83726/30-1001P](#) [002-3261-000](#) [M83726/24-1001](#) [M6106/19-017](#)