

Part number

# CK 03 IAN



## Brief description:

angled bulkhead housings with single lever, size "21.21", without cable gland, thermoplastic version, IP44, IP66/IP67 degree of protection with CKR 65 kit or CKR 65 D kit.

Product description		Approvals / Standards	
Version	thermoplastic version	Quality mark	SAIS type: 12,( type 4/4X only with kit CKR 65 or CKR 65 D), ®, EAC
Series	Angled mounting housings with 1 lever	Conformity	CQC, CE
Product type	with 1 lever	<b>General ordering information</b>	
Variant	without cable gland	EAN13 code	8015747026307
Style	black colour	Tariff number	85369095
Family	CK thermoplastic enclosures	<b>Packaging Information</b>	
Size	size "21.21"	Packaging length	360,00 mm
<b>Technical data</b>		Packaging height	170,00 mm
Operating temperature range (min, max)	-40°C ... +125°C	Packaging width	305,00 mm
Material	thermoplastic	Packaging weight	1,90 kg
IP degree of protection	IP44 (IP66/IP67 with CKR 65/CKR 65 D kits)	Packaging volume	18,67 dm³
<b>Further technical details</b>		Packaging description	Carton box
Weight	17,00 g	Packaging quantity	100 Pcs
		Packaging EAN code	8015747026314
		Sub-packaging length	140,00 mm
		Sub-packaging height	66,00 mm
		Sub-packaging width	150,00 mm
		Sub-packaging weight	0,19 kg
		Sub-packaging volume	1,39 dm³
		Sub-packaging description	Carton Box
		Sub-packaging quantity	10 Pcs
		Sub-packaging EAN barcode	8015747026321

Part number

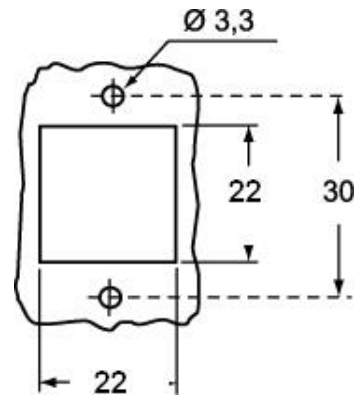
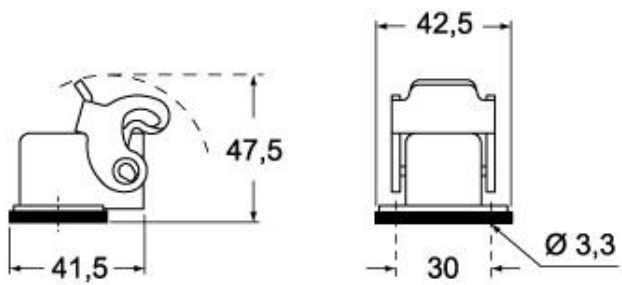
# CK 03 IAN



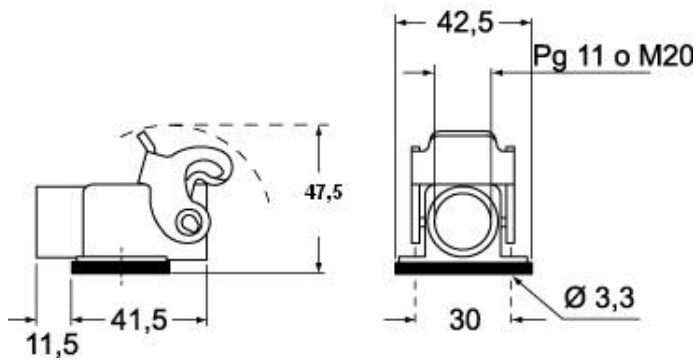
Catalogue drawings

Catalogue drawings

**CK IA(N)**



**CK IAP(N)S - MK IAP (N)**



## X-ON Electronics

Largest Supplier of Electrical and Electronic Components

*Click to view similar products for [Standard Circular Connector](#) category:*

*Click to view products by [ILME](#) manufacturer:*

Other Similar products are found below :

[C015 10F006 001 1](#) [5M2530B10P](#) [600247N007](#) [600259N006](#) [600273N007](#) [600432N009](#) [6280-2PG-519](#) [6280-3PG-311](#) [6280-3SG-311](#)  
[6280-7SG-3DC](#) [6280-7SG-522](#) [6282-5PG-311](#) [6282-6PG-519](#) [6282-8SG-311](#) [6283-11](#) [6283-15](#) [6290](#) [6293](#) [6382-2PG-311](#) [6382-2PG-3DC](#)  
[6382-2SG-321](#) [6382-2SG-3DC](#) [6382-4SG-516](#) [67-03E20-37P](#) [681-PMG](#) [CXS3102A14S2P](#) [CXS3102A181S](#) [CXS3106A14S6S](#)  
[D38999/20FC8SA L/C](#) [MB12P-1](#) [MB12R-6](#) [7251-2PG-300](#) [7251-2SG-300](#) [7251-4PG-300](#) [7251-4SG-300](#) [7251-5PG-300](#) [7251-5SG-300](#)  
[7251-6SG-300](#) [7251-7PG-300](#) [7251-8PG-300](#) [7271-6SG-300](#) [7282-3PG-300-CH3](#) [73000005663](#) [75-190011-03P](#) [75-190216-08S](#) [75-190218-](#)  
[10P](#) [75-214636-52P](#) [75-474118-10P](#) [75-474211-03P](#) [75-474218-19S](#)